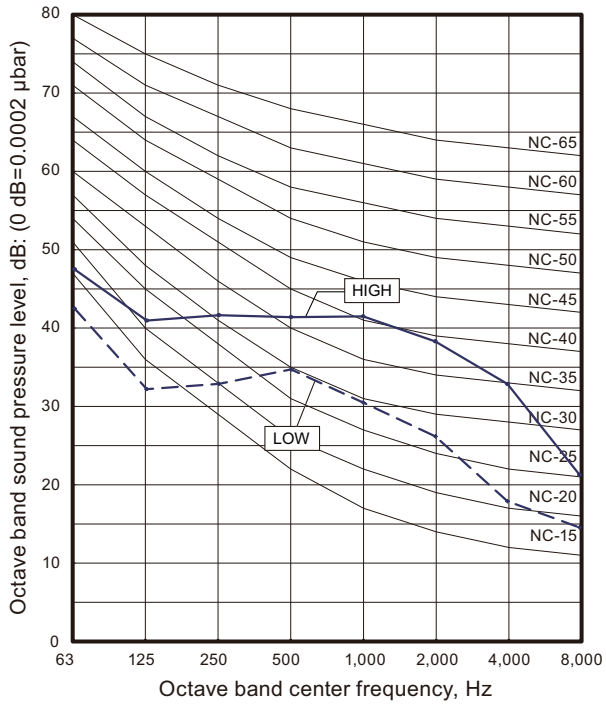
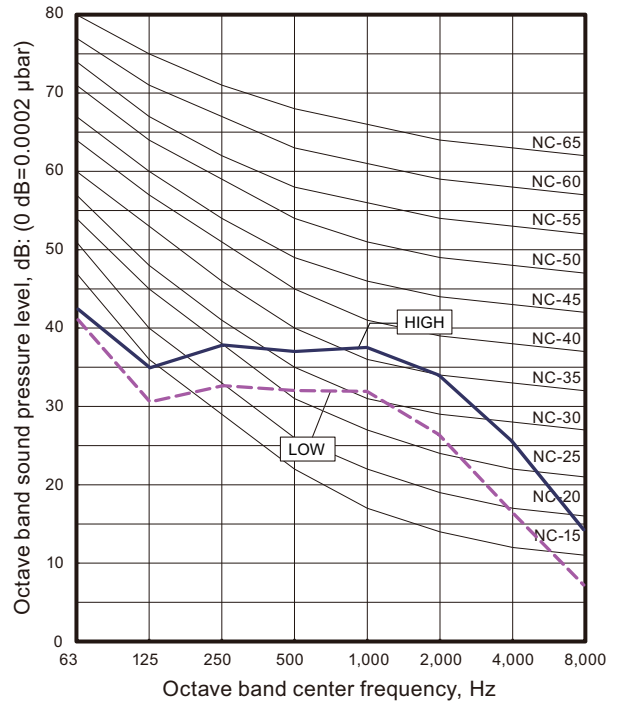


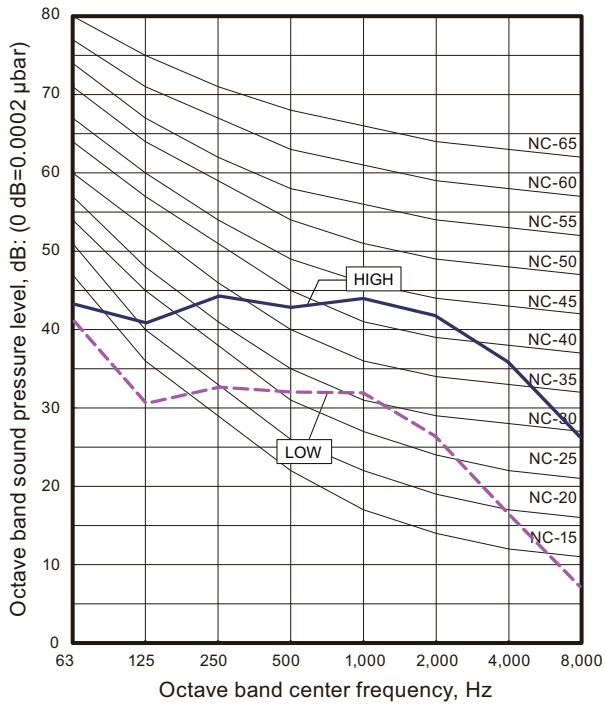
• **Model: AS*A014GCGH**



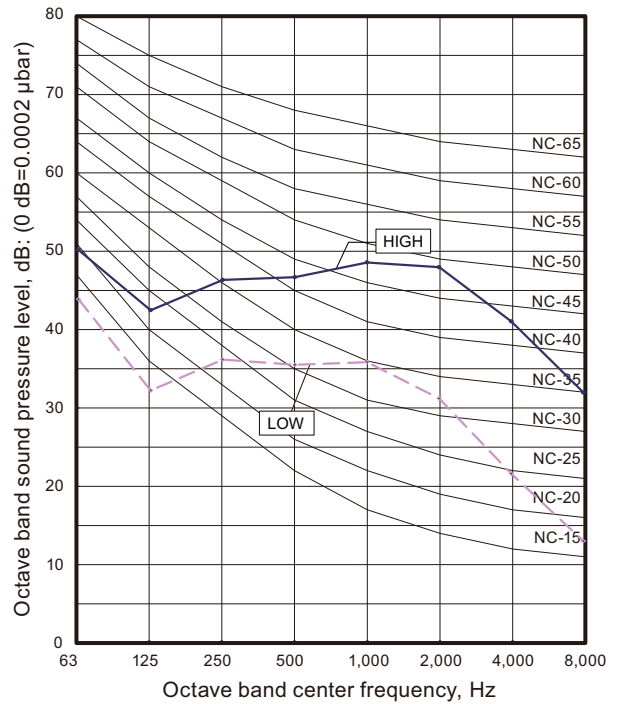
• **Model: AS*A18GBCH**



• **Model: AS*A24GBCH**



• **Model: AS*A030GTEH**

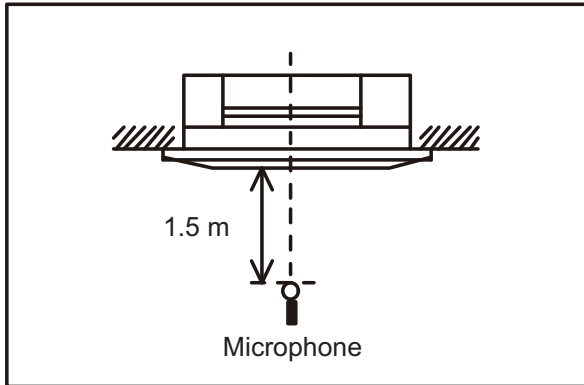


INDOOR
UNITS

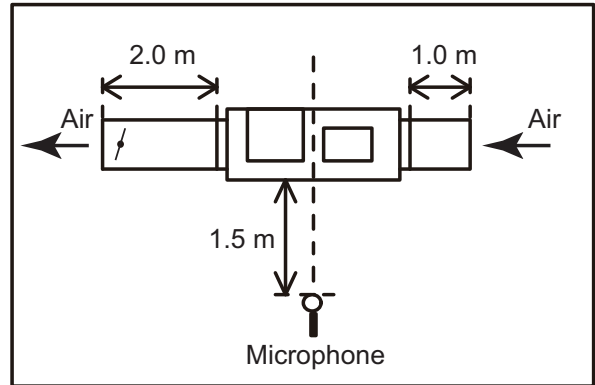
INDOOR
UNITS

9-17. Sound level check point

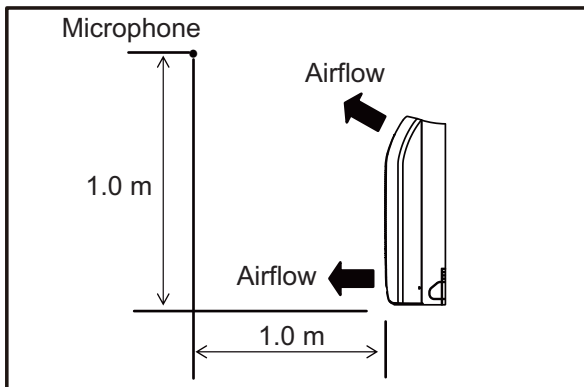
- Compact cassette type
- Circular flow cassette type
- Cassette type



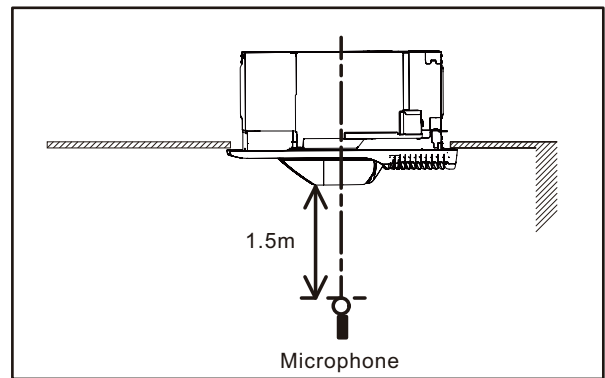
- Low static pressure duct (Mini duct) type
- Low static pressure duct (Slim duct) type
- Medium static pressure duct type
- High static pressure duct type



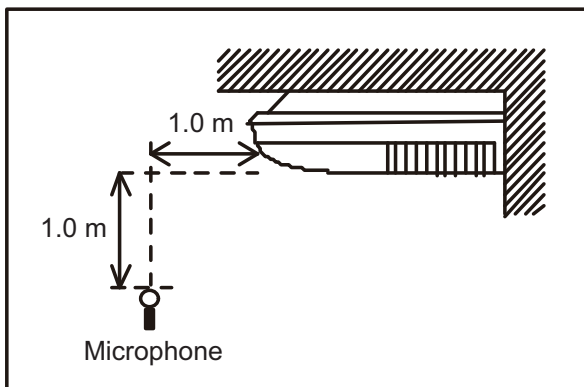
- Compact floor type



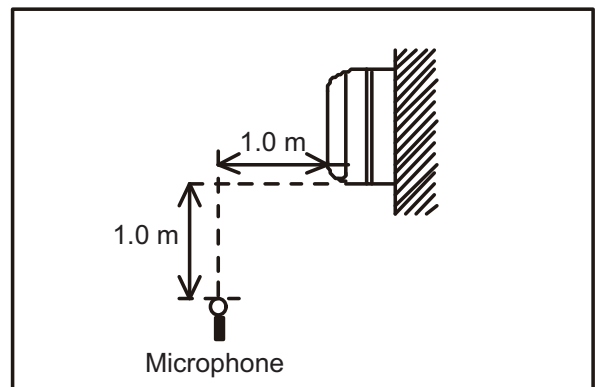
- 3D flow cassette type



- Floor/Ceiling type
- Ceiling type



- Wall mounted type



INDOOR
UNITS

INDOOR
UNITS