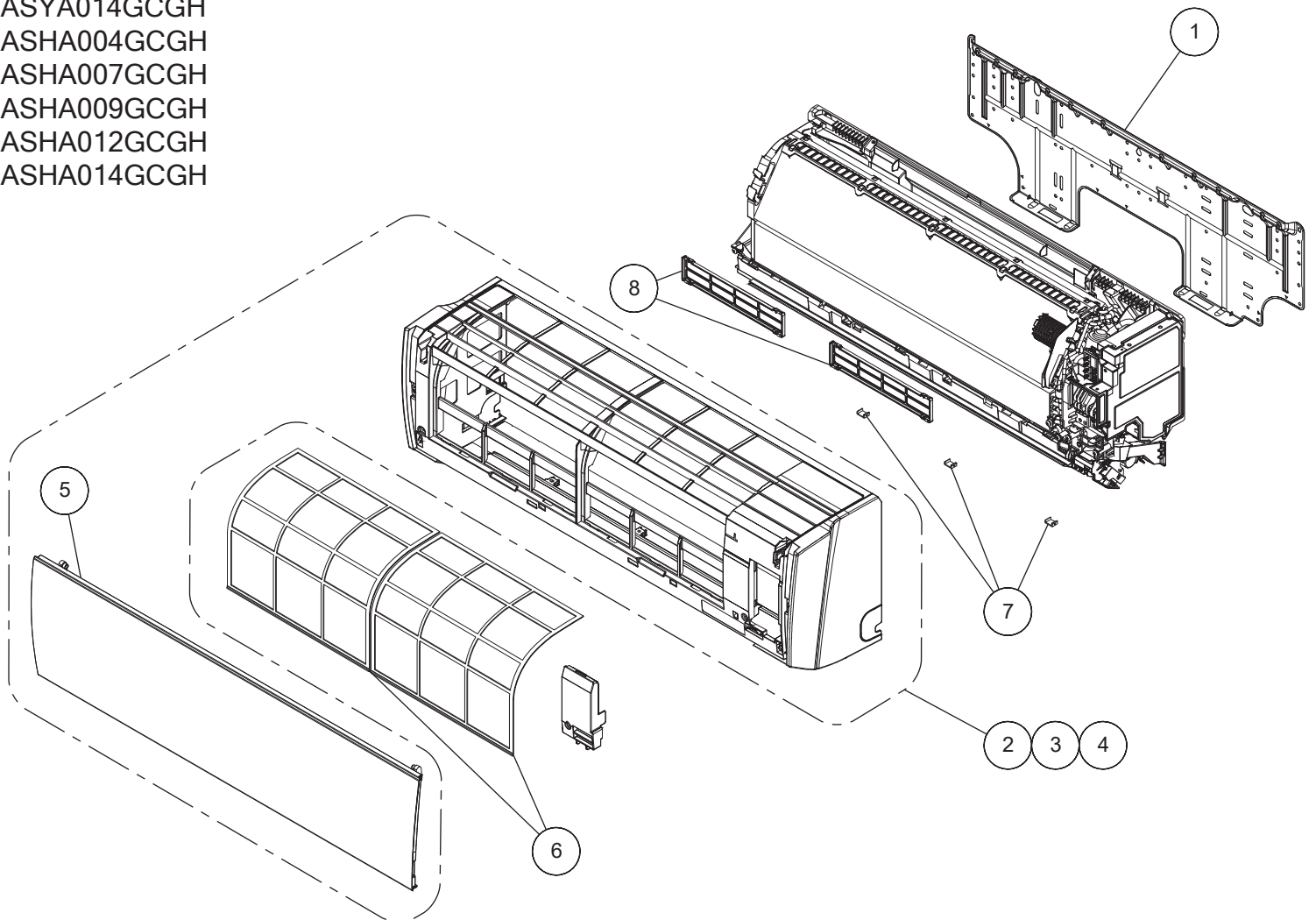
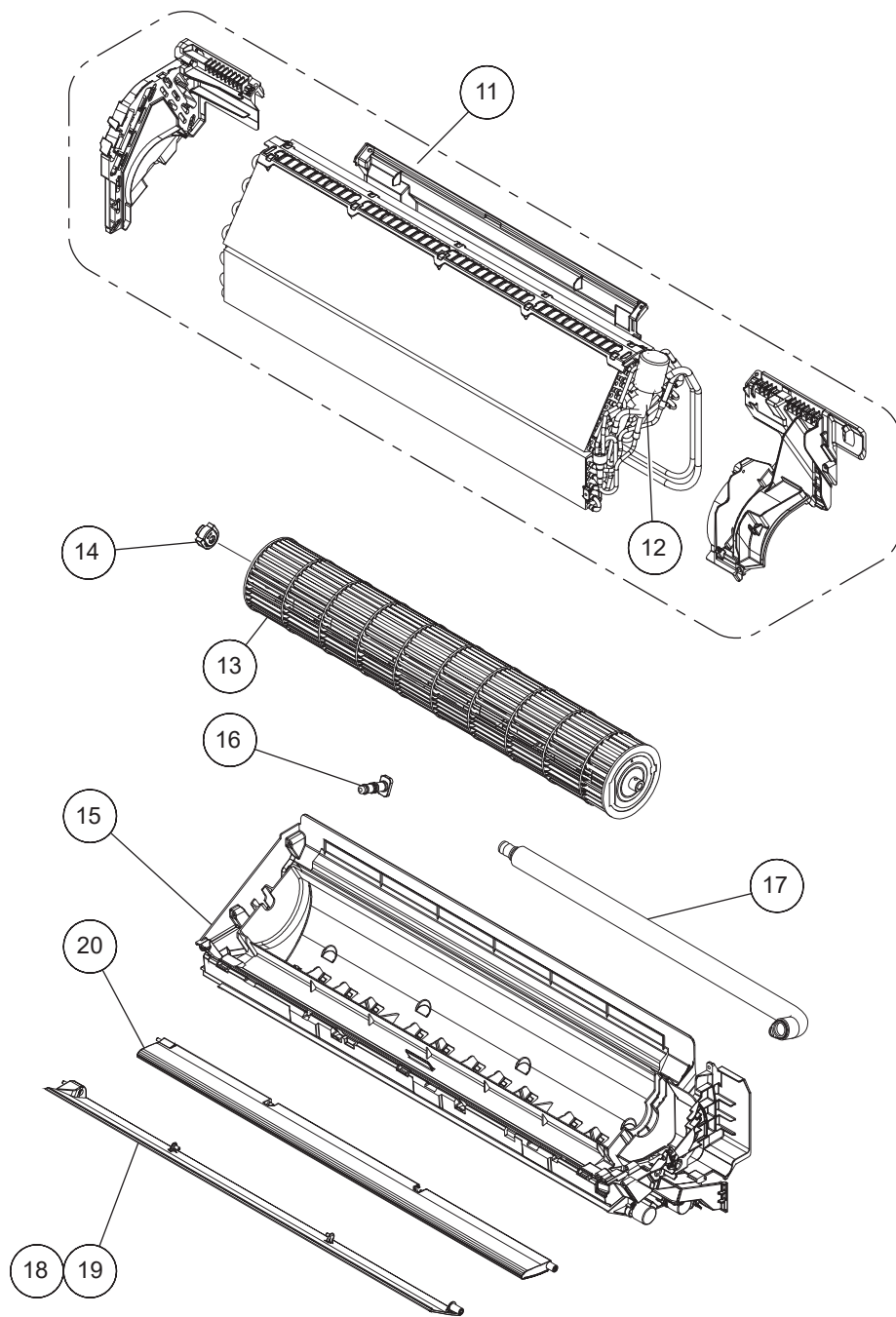


# PARTS

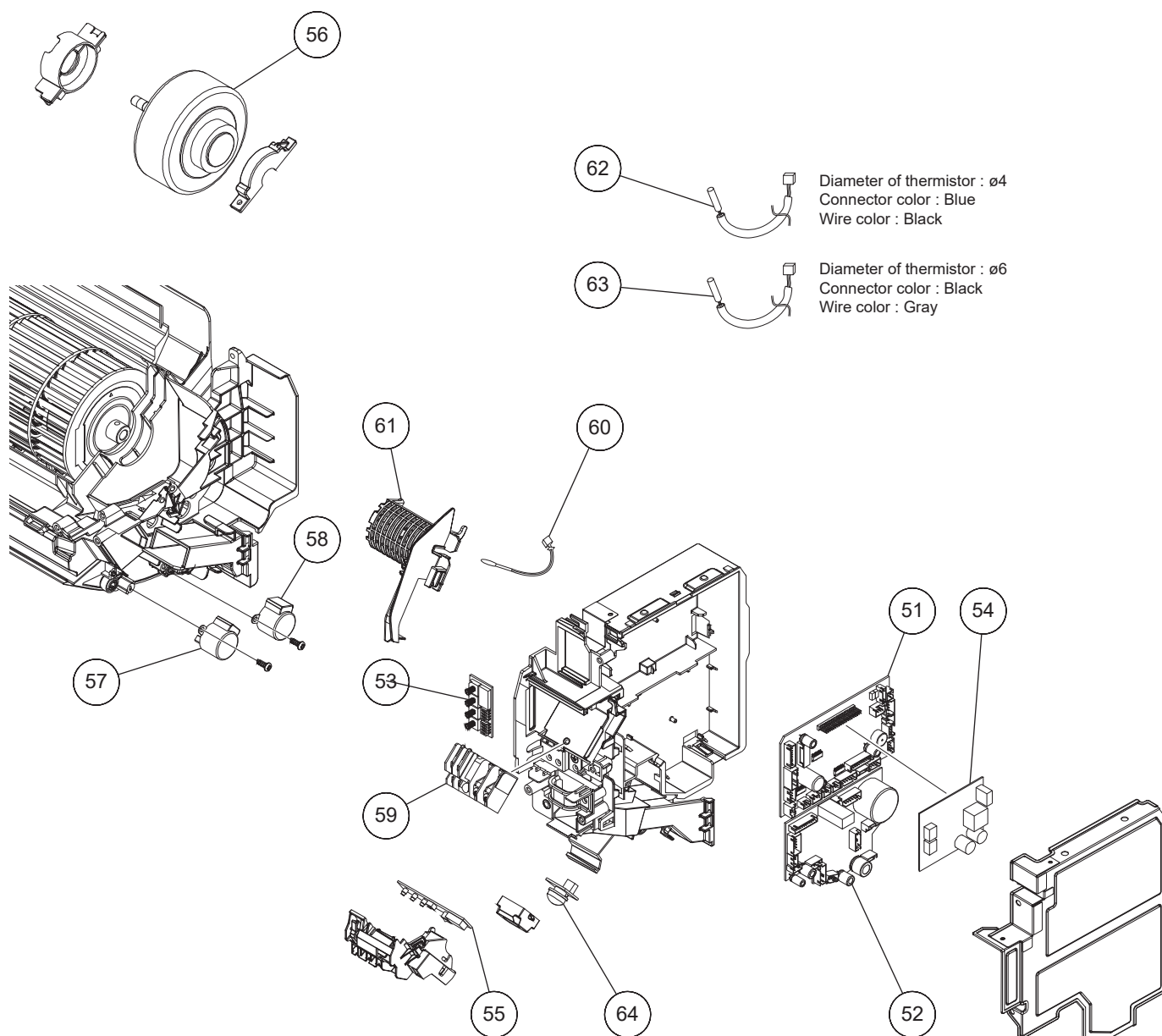
ASYA004GCGH  
 ASYA007GCGH  
 ASYA009GCGH  
 ASYA012GCGH  
 ASYA014GCGH  
 ASHA004GCGH  
 ASHA007GCGH  
 ASHA009GCGH  
 ASHA012GCGH  
 ASHA014GCGH



Ref No.	Description	Parts No.				
		AS* A004GCGH	AS* A007GCGH	AS* A009GCGH	AS* A012GCGH	AS* A014GCGH
1	BRACKET PANEL	9332882018	9332882018	9332882018	9332882018	9332882018
2	FRONT PANEL TOTAL ASSY (FUJITSU)	9332994186	9332994186	9332994186	9332994186	9332994186
	FRONT PANEL TOTAL ASSY (GENERAL)	9332994193	9332994193	9332994193	9332994193	9332994193
3	LABEL (FORCE AUTO)	9382702021	9382702021	9382702021	9382702021	9382702021
4	LABEL (DISPLAY)	9332898033	9332898033	9332898033	9332898033	9332898033
5	INTAKE GRILLE ASSY	9332996005	9332996005	9332996005	9332996005	9332996005
6	AIR FILTER	9332875010	9332875010	9332875010	9332875010	9332875010
7	CAP (SCREW)	9309002081	9309002081	9309002081	9309002081	9309002081
8	HOLDER (ELECTRIC FILTER)	9332911008	9332911008	9332911008	9332911008	9332911008
-	AIR CLEAN FILTER ASSY	9317250009	9317250009	9317250009	9317250009	9317250009



Ref No.	Description	Parts No.				
		AS* A004GCGH	AS* A007GCGH	AS* A009GCGH	AS* A012GCGH	AS* A014GCGH
11	EVAPORATOR TOTAL ASSY	9332989571	9332989564	9332989564	9332989557	9332989557
12	EXPANSION VALVE	9970084102	9970084102	9970084102	9970085161	9970085161
13	CROSS FLOW FAN ASSY	9316830004	9316830004	9316830004	9316830004	9316830004
14	BEARING C ASSY	9306628024	9306628024	9306628024	9306628024	9306628024
15	CASING ASSY	9333009087	9333009087	9333009087	9333009087	9333009087
16	CAP (DRAIN)	9316177017	9316177017	9316177017	9316177017	9316177017
17	HOSE (DRAIN) ASSY	9316904002	9316904002	9316904002	9316904002	9316904002
18	LOUVER	9333353005	9333353005	9333353005	9333353005	9333353005
19	INS (LOUVER)	9375432119	9375432119	9375432119	9375432119	9375432119
20	DIFFUSER ASSY	9332998009	9332998009	9332998009	9332998009	9332998009
--	SPRING (LOUVER)	9332999006	9332999006	9332999006	9332999006	9332999006
--	SPRING (DIFFUSER)	9333010007	9333010007	9333010007	9333010007	9333010007



Ref No.	Description	Parts No.				
		AS* A004GCGH	AS* A007GCGH	AS* A009GCGH	AS* A012GCGH	AS* A014GCGH
51	CONTROLLER PCB	9710873041	9710873041	9710873041	9710873041	9710873041
52	POWER SUPPLY PCB	9710874017	9710874017	9710874017	9710874017	9710874017
53	SWITCH PCB	9710644009	9710644009	9710644009	9710644009	9710644009
54	COMMUNICATION PCB	9709373026	9709373026	9709373026	9709373026	9709373026
55	INDICATOR PCB	9709431054	9709431054	9709431054	9709431054	9709431054
56	DC MOTOR	9603269005	9603269005	9603269005	9603269005	9603269005
57	STEP MOTOR (LOUVER)	9900790028	9900790028	9900790028	9900790028	9900790028
58	STEP MOTOR (DIFFUSER)	9900790035	9900790035	9900790035	9900790035	9900790035
59	TERMINAL	9900952006	9900952006	9900952006	9900952006	9900952006
60	ROOM THERMISTOR	9900960025	9900960025	9900960025	9900960025	9900960025
61	ROOM THERMISTOR HOLDER	9382805005	9382805005	9382805005	9382805005	9382805005
62	PIPE THERMISTOR (INLET)	9900622039	9900622039	9900622039	9900622039	9900622039
63	PIPE THERMISTOR (OUTLET)	9900623050	9900623050	9900623050	9900623050	9900623050
64	PYROELECTRIC SENSOR	9317755061	9317755061	9317755061	9317755061	9317755061