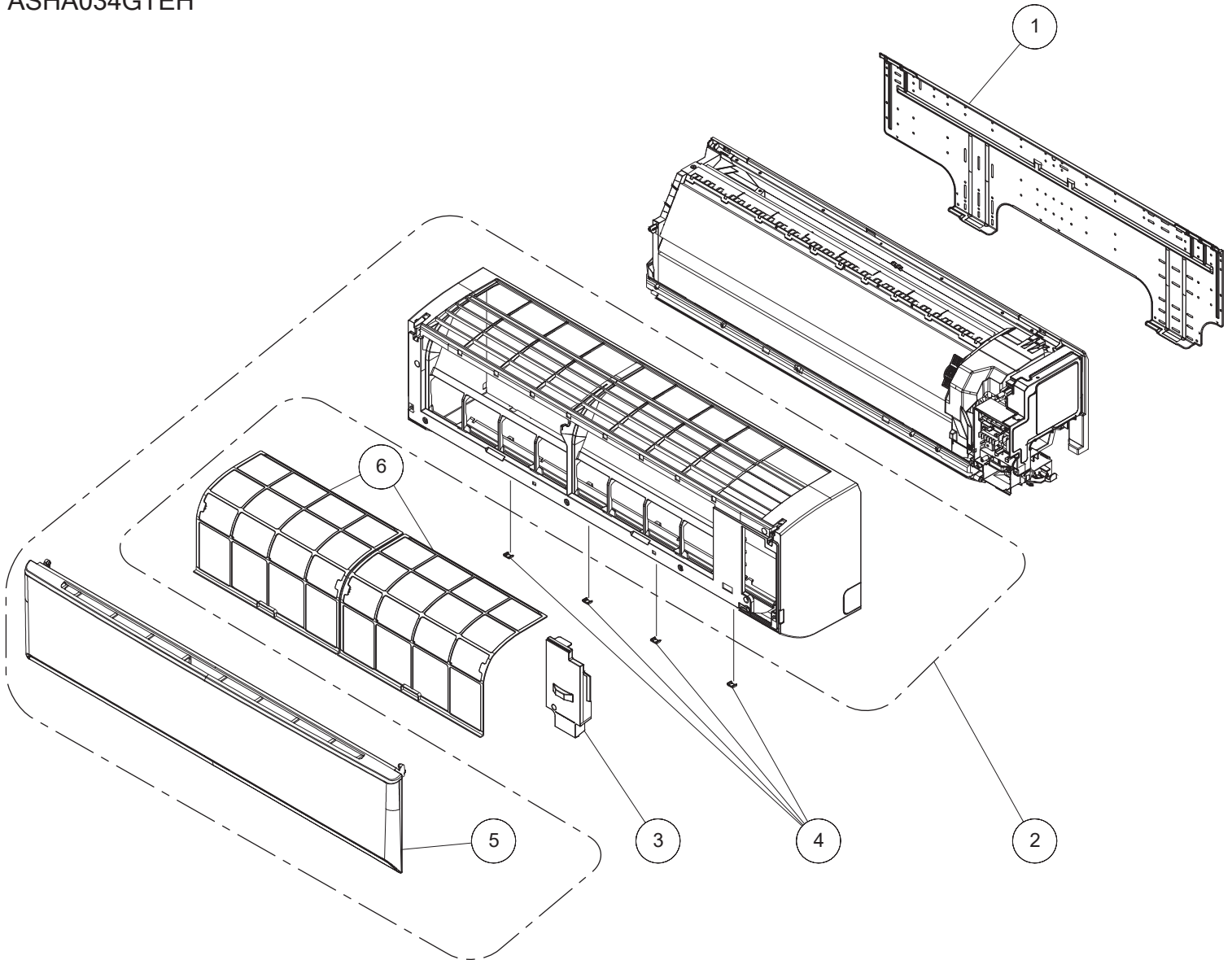


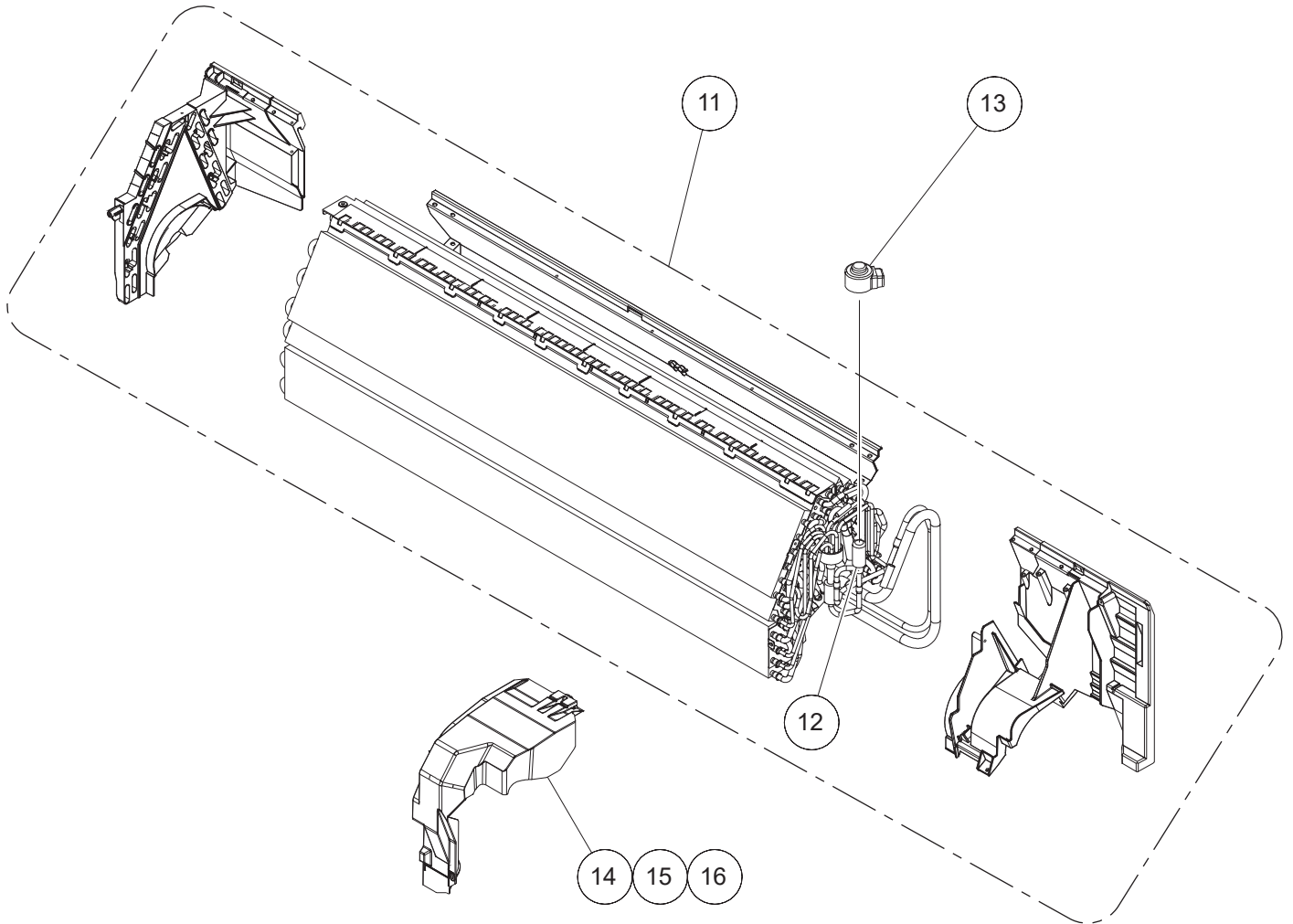
PARTS

ASYA030GTEH
 ASYA034GTEH
 ASHA030GTEH
 ASHA034GTEH



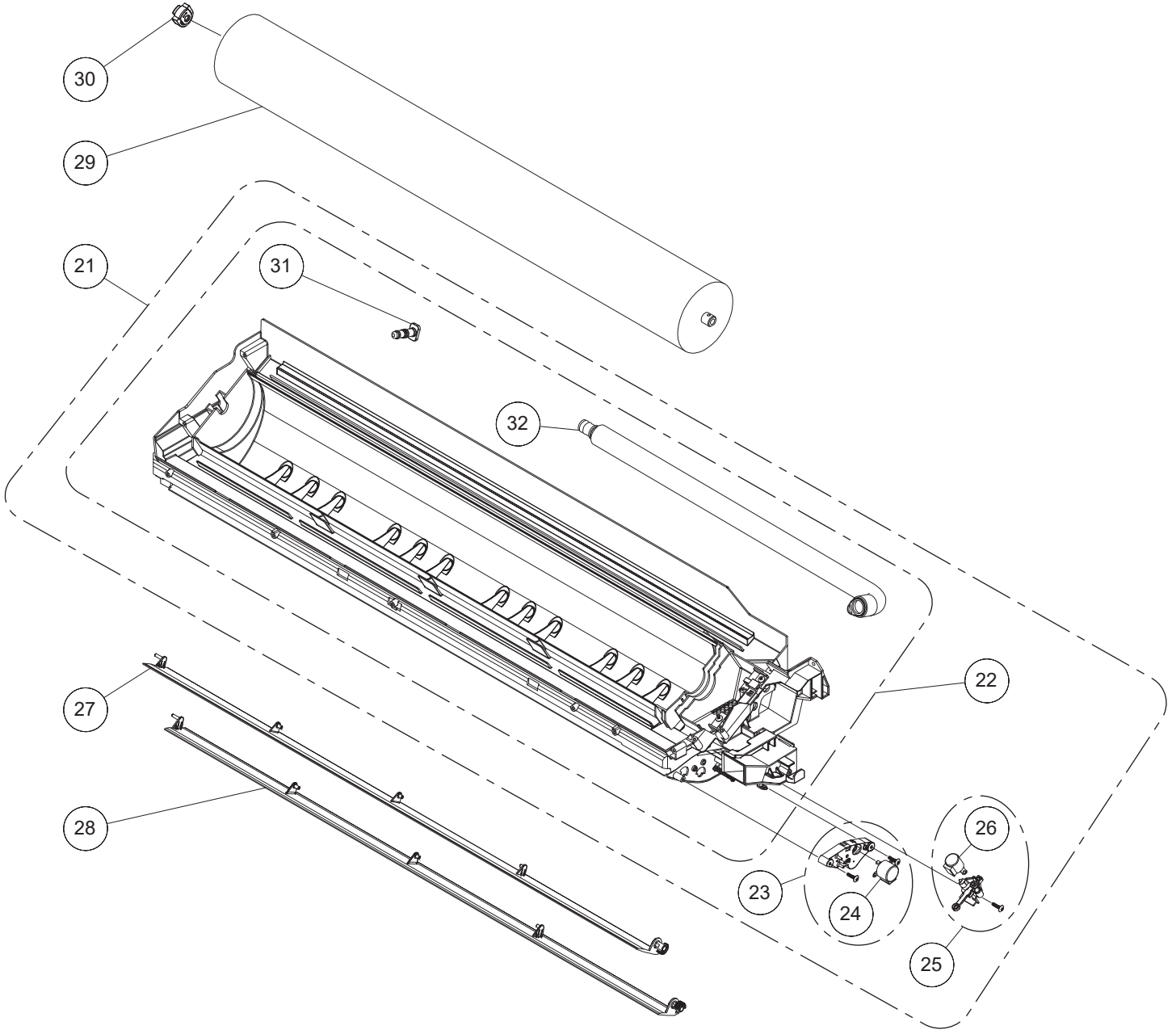
Ref No.	Description	Parts No.	
		AS* A030GTEH	AS* A034GTEH
1	BRACKET PANEL	9386990004	9386990004
2	FRONT PANEL TOTAL ASSY (FUJITSU)	9387072082	9387072082
	FRONT PANEL TOTAL ASSY (GENERAL)	9387072099	9387072099
3	WIRE COVER ASSY	9387074000	9387074000
4	CAP(SCREW)	9386986007	9386986007
5	INTAKE GRILLE ASSY (FUJITSU)	9382114008	9382114008
	INTAKE GRILLE ASSY (GENERAL)	9382114015	9382114015
6	AIR FILTER	9386960007	9386960007
	AIR CLEAN FILTER ASSY	9315212016	9315212016

ASYA030GTEH
 ASYA034GTEH
 ASHA030GTEH
 ASHA034GTEH



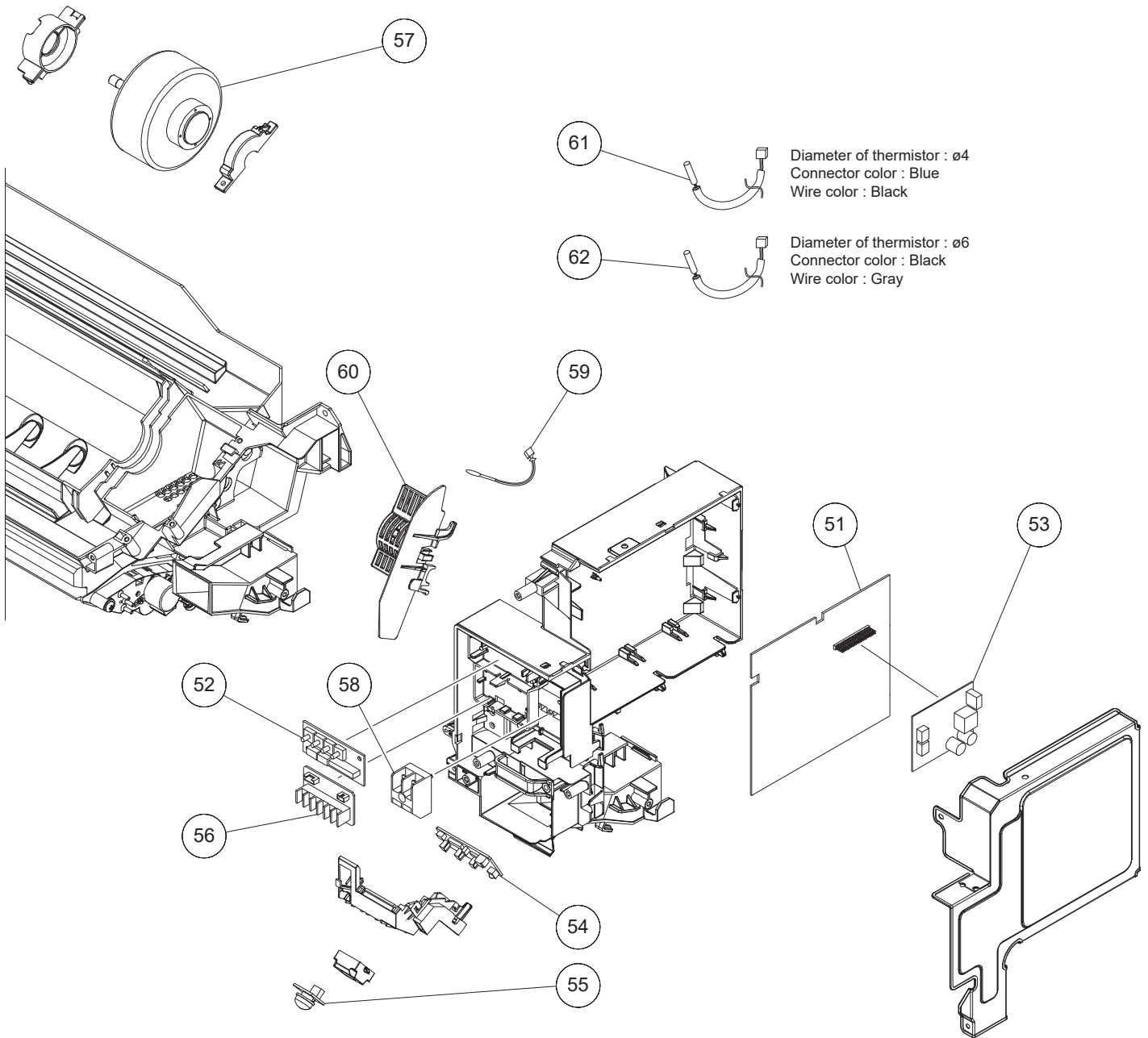
Ref No.	Description	Parts No.	
		AS* A030GTEH	AS* A034GTEH
11	EVAPORATOR TOTAL ASSY	9382185039	9382185022
12	EXPANSION VALVE	9970160011	9970104039
13	COIL(EXPANSION VALVE)	9970101113	9970105081
14	PIPE COVER	9382511005	9382511005
15	INSULATION(PIPE COVER)	9382674007	9382674007
16	FPE T5 50*30	9378494008	9378494008

ASYA030GTEH
 ASYA034GTEH
 ASHA030GTEH
 ASHA034GTEH



Ref No.	Description	Parts No.	
		AS* A030GTEH	AS* A034GTEH
21	CASING TOTAL ASSY	9387059052	9387059052
22	CASING ASSY	9387060034	9387060034
23	GEAR COVER ASSY	9387062007	9387062007
24	STEP MOTOR (WHITE)	9900384234	9900384234
25	LINK HOLDER ASSY	9387063004	9387063004
26	STEP MOTOR (RED)	9900139186	9900139186
27	LOUVER U	9386958004	9386958004
28	LOUVER Z	9386959001	9386959001
29	CROSS FLOW FAN ASSY	9387055009	9387055009
30	BEARING C ASSY	9306628017	9306628017
31	CAP (DRAIN)	9316177017	9316177017
32	HOSE (DRAIN) ASSY	9387056006	9387056006

ASYA030GTEH
 ASYA034GTEH
 ASHA030GTEH
 ASHA034GTEH



Ref No.	Description	Parts No.	
		AS* A030GTEH	AS* A034GTEH
51	CONTROLLER PCB	9710649035	9710649028
52	SWITCH PCB	9707732030	9707732030
53	COMMUNICATION PCB	9709373026	9709373026
54	INDICATOR PCB	9710086014	9710086014
55	PYROELECTRIC SENSOR	9317755061	9317755061
56	TERMINAL PCB	9707736014	9707736014
57	DC MOTOR	9603839017	9603839017
58	TERMINAL	9703873041	9703873041
59	ROOM THERMISTOR	9900960018	9900960018
60	ROOM THERMISTOR HOLDER	9386988001	9386988001
61	PIPE THERMISTOR (INLET)	9900622022	9900622022
62	PIPE THERMISTOR (OUTLET)	9900623029	9900623029