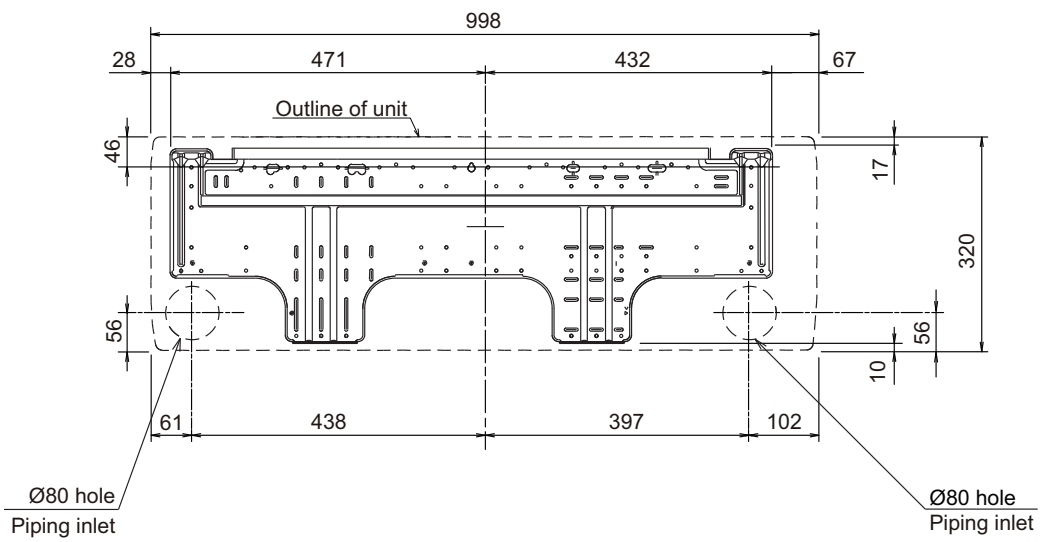
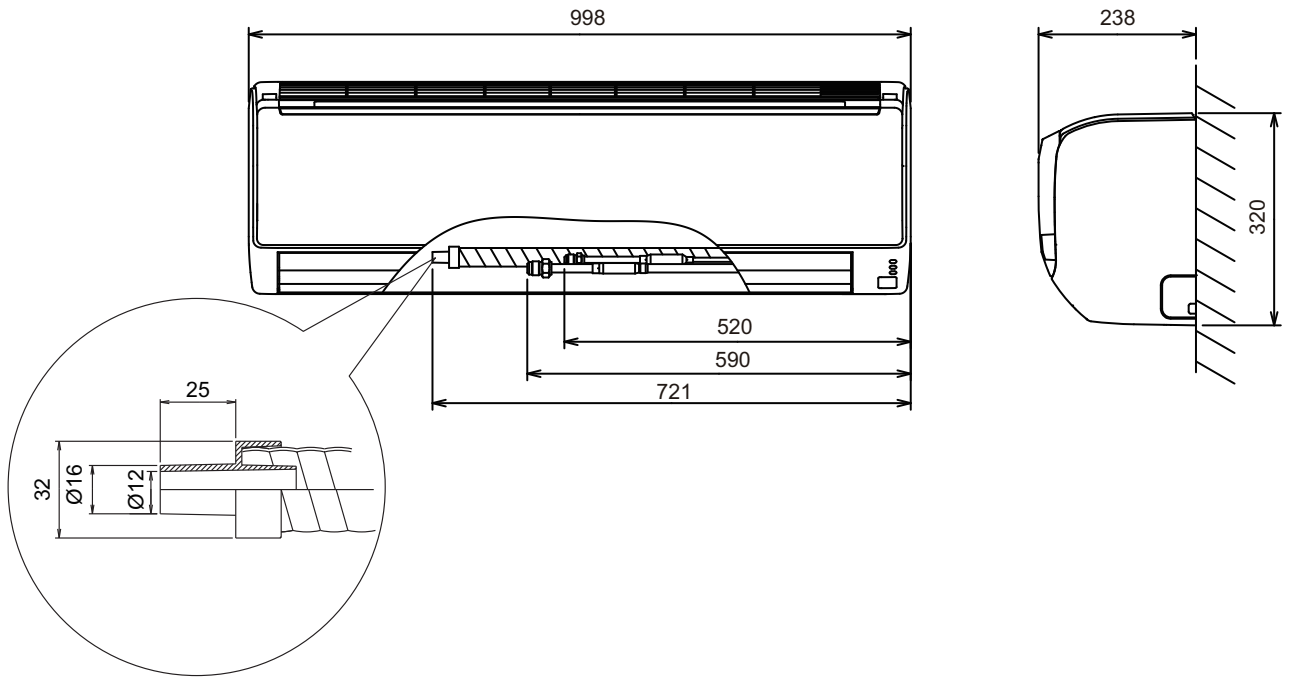


■ Models: AS*A18GBCH and AS*A24GBCH

Unit: mm

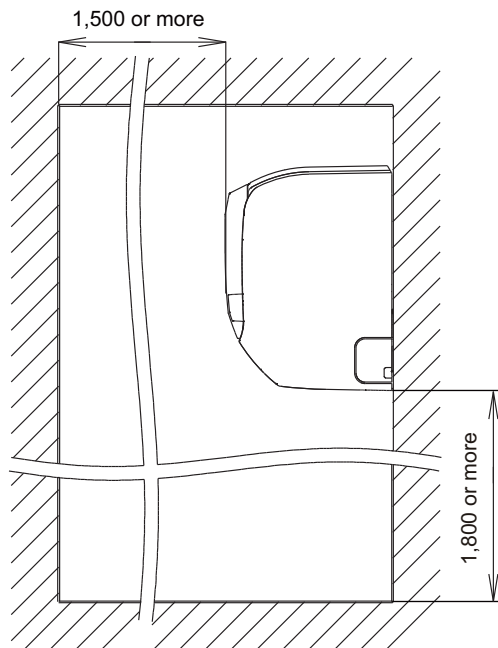
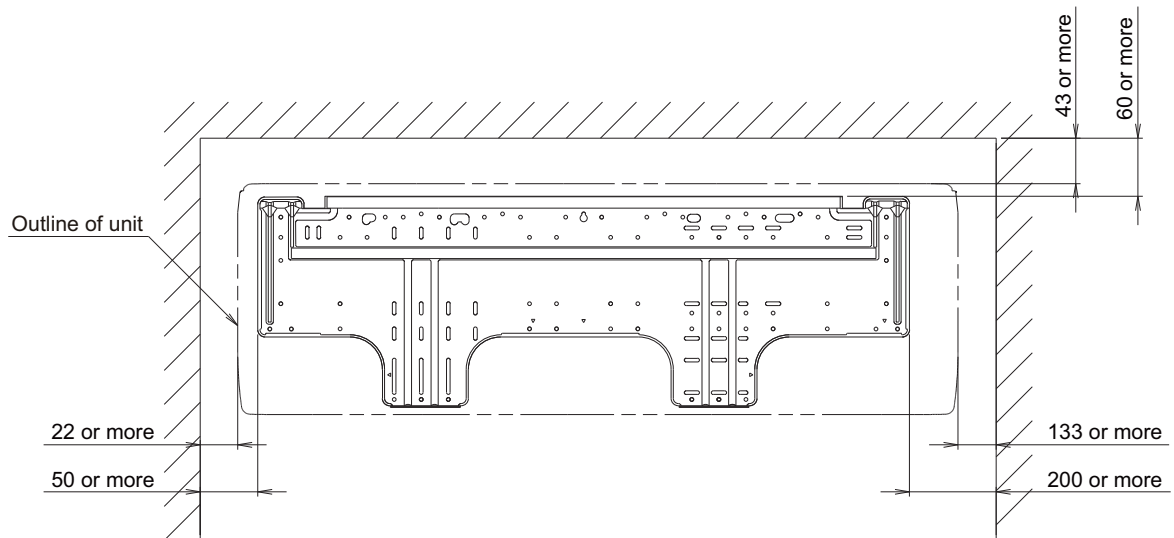


INDOOR
UNITS

INDOOR
UNITS

Installation space requirement

Unit: mm



INDOOR
UNITS

INDOOR
UNITS