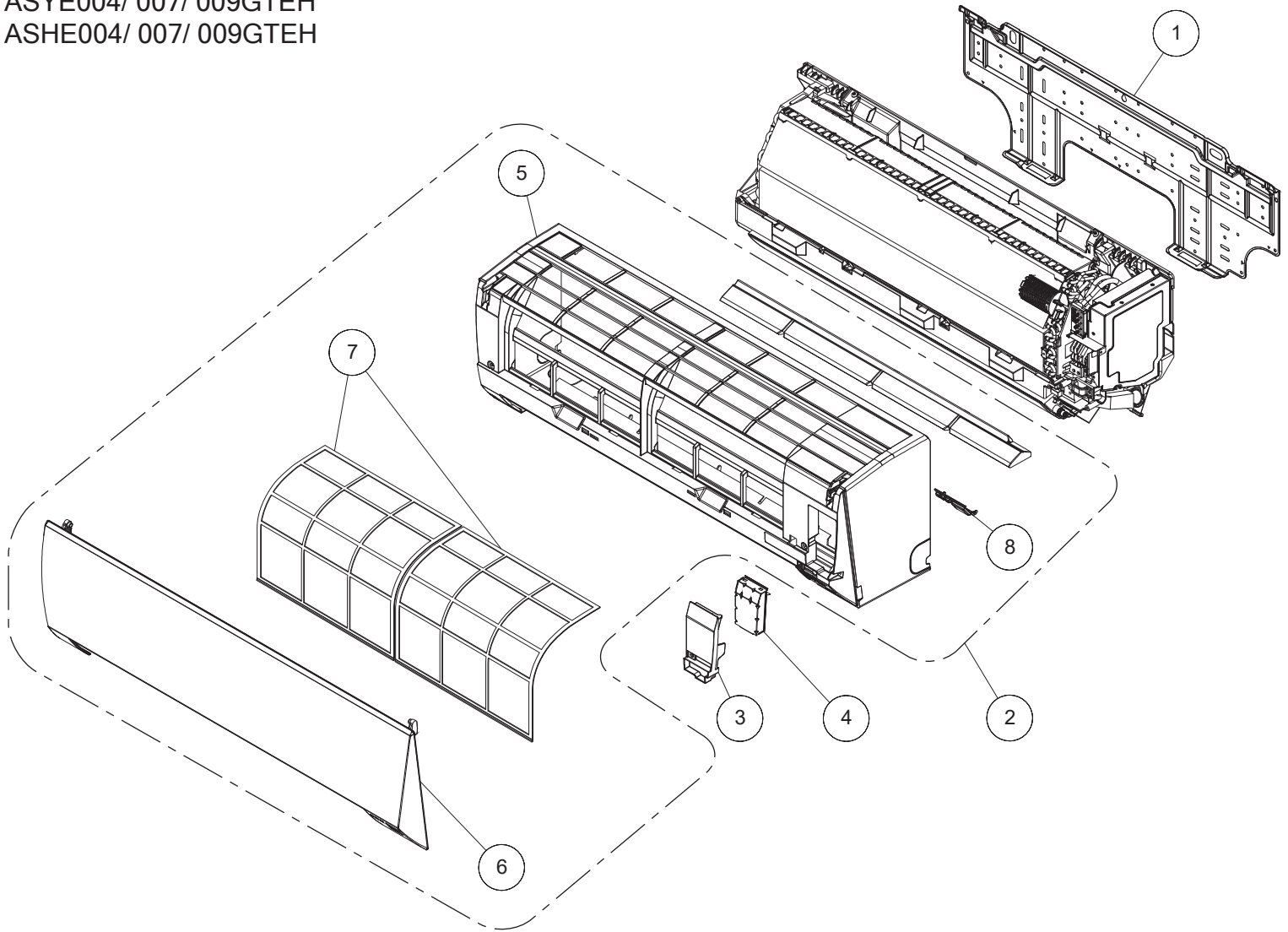
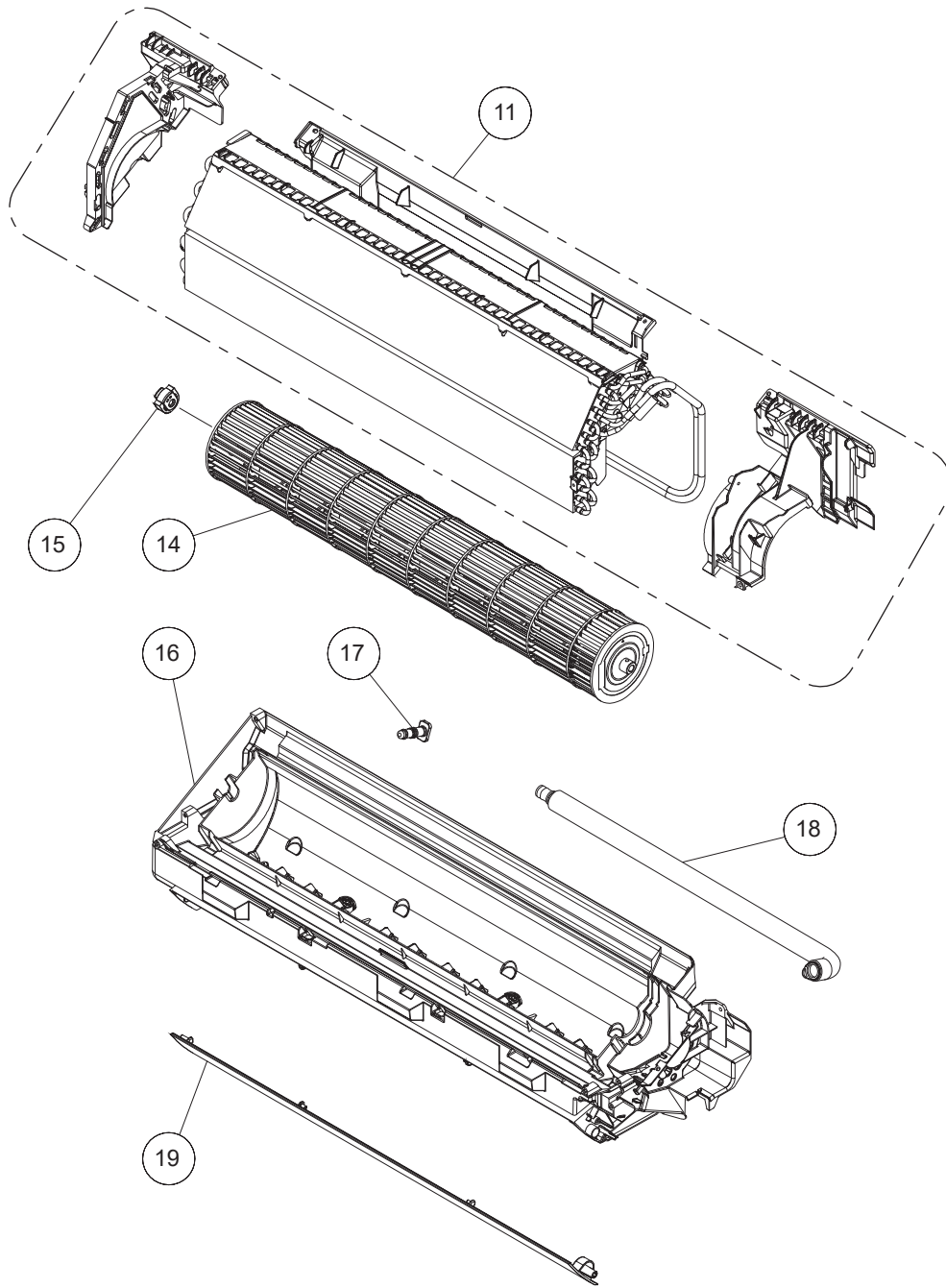


PARTS

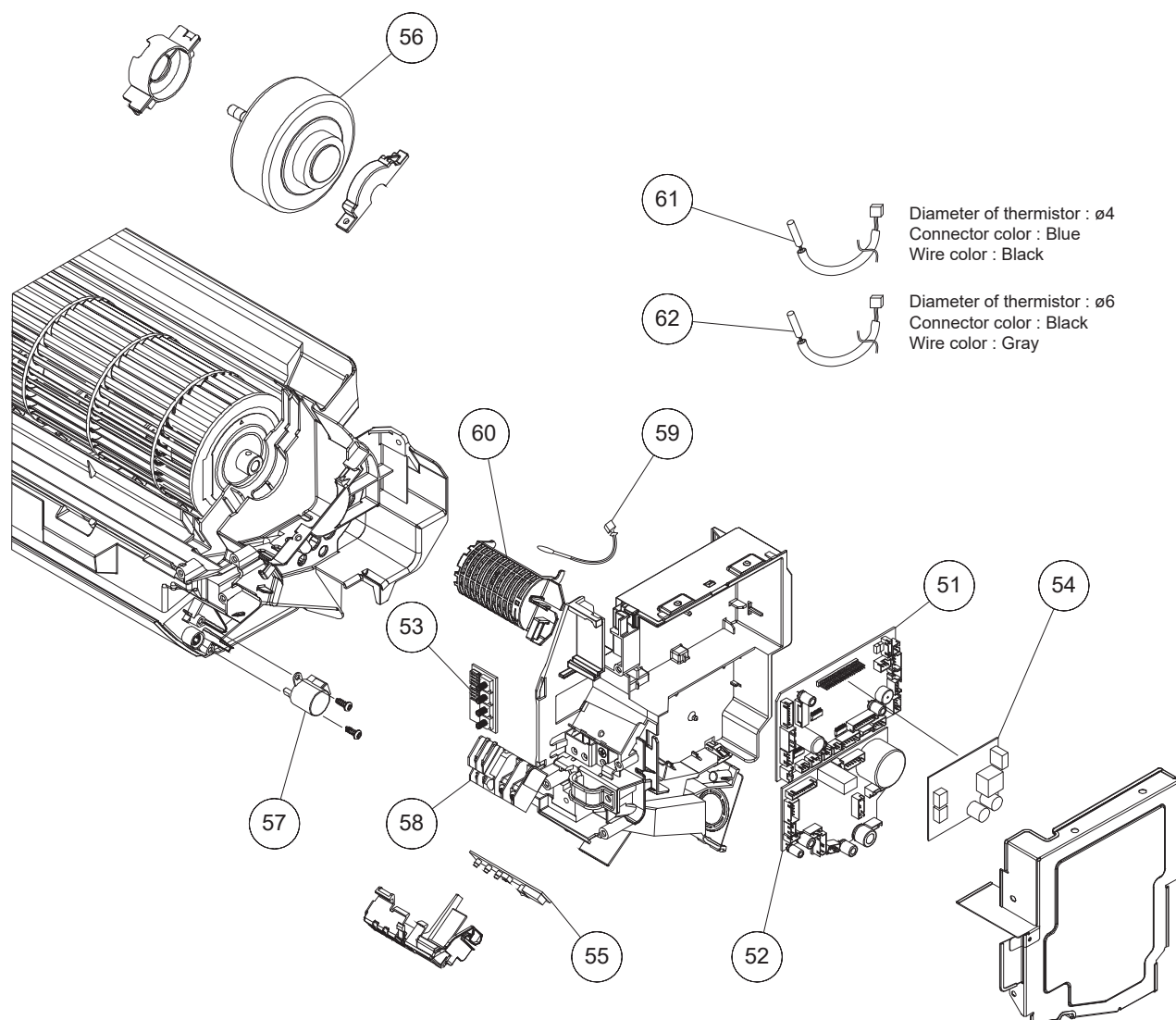
ASYE004/ 007/ 009GTEH
 ASHE004/ 007/ 009GTEH



Ref No.	Description	Parts No.			Q'ty
		AS* E004GTEH	AS* E007GTEH	AS* E009GTEH	
1	BRACKET PANEL	9332556001	9332556001	9332556001	
2	FRONT PANEL TOTAL ASSY (FUJITSU)	9386716055	9386716055	9386716055	
	FRONT PANEL TOTAL ASSY (GENERAL)	9332626285	9332626285	9332626285	
3	WIRE COVER	9332544008	9332544008	9332544008	
4	WIRE SHIELD ASSY	9382604004	9382604004	9382604004	
5	FRONT PANEL	9332545012	9332545012	9332545012	
6	INTAKE GRILLE ASSY (FUJITSU)	9332629194	9332629194	9332629194	
	INTAKE GRILLE ASSY (GENERAL)	9332629026	9332629026	9332629026	
7	AIR FILTER	9332549003	9332549003	9332549003	
8	RECEIVER WINDOW	9332546019	9332546019	9332546019	



Ref No.	Description	Parts No.			Q'ty
		AS* E004GTEH	AS* E007GTEH	AS* E009GTEH	
11	EVAPORATOR TOTAL ASSY	9316893511	9316893528	9316893528	
14	CROSS FLOW FAN ASSY	9316830004	9316830004	9316830004	
15	BEARING C ASSY	9306628017	9306628017	9306628017	
16	CASING ASSY	9332613056	9332613056	9332613056	
17	CAP (DRAIN)	9316177017	9316177017	9316177017	
18	HOSE (DRAIN) ASSY	9316904002	9316904002	9316904002	
19	LOUVER ASSY	9333342016	9333342016	9333342016	



Ref No.	Description	Parts No.			Q'ty
		AS* E004GTEH	AS* E007GTEH	AS* E009GTEH	
51	CONTROLLER PCB	9710744037	9710744037	9710744037	
52	POWER SUPPLY PCB	9710747007	9710747007	9710747007	
53	SWITCH PCB	9710644009	9710644009	9710644009	
54	COMMUNICATION PCB	9709373026	9709373026	9709373026	
55	INDICATOR PCB	9709174043	9709174043	9709174043	
56	DC MOTOR	9603180010	9603180010	9603180010	
57	STEP MOTOR	9900725013	9900725013	9900725013	
58	TERMINAL	9900952006	9900952006	9900952006	
59	ROOM THERMISTOR	9900960025	9900960025	9900960025	
60	ROOM THERMISTOR HOLDER	9382508005	9382508005	9382508005	
61	PIPE THERMISTOR (INLET)	9900622039	9900622039	9900622039	
62	PIPE THERMISTOR (OUTLET)	9900623036	9900623036	9900623036	