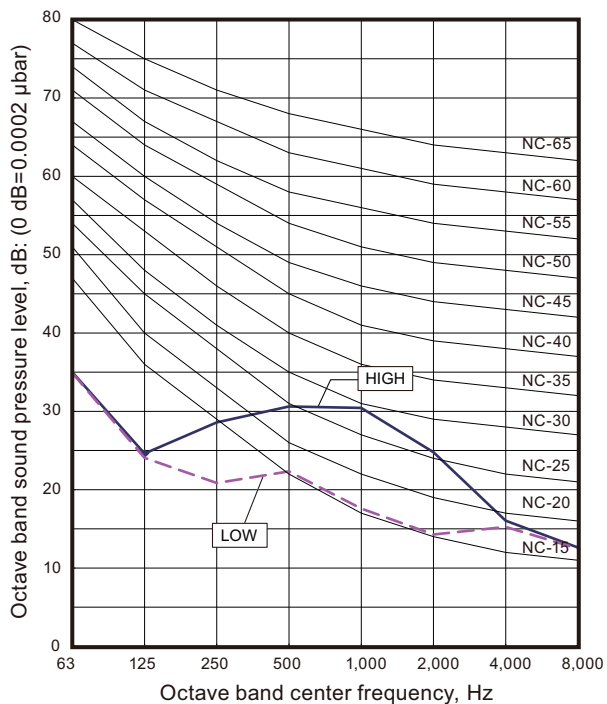
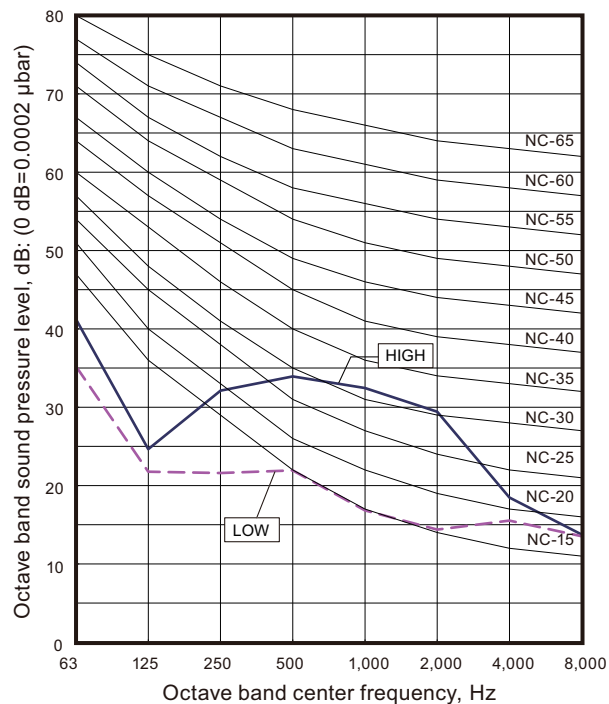


9-16. Wall mounted type (EEV external model)

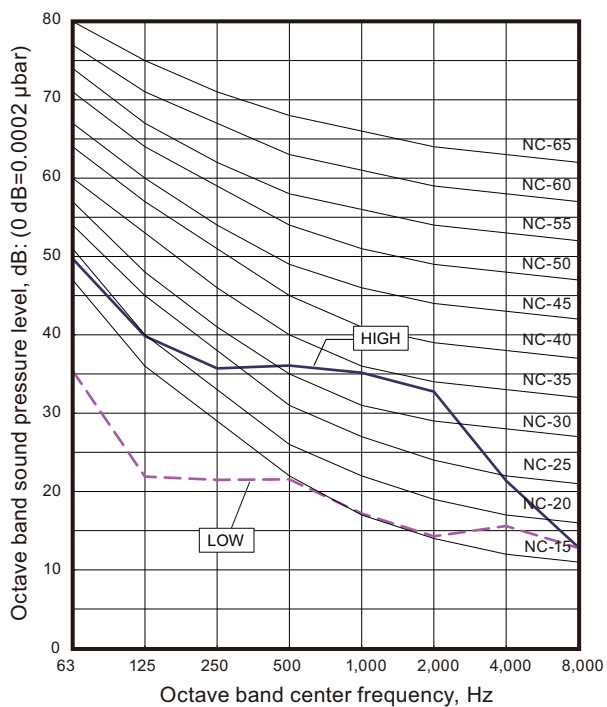
• **Model: AS*E004GCEH**



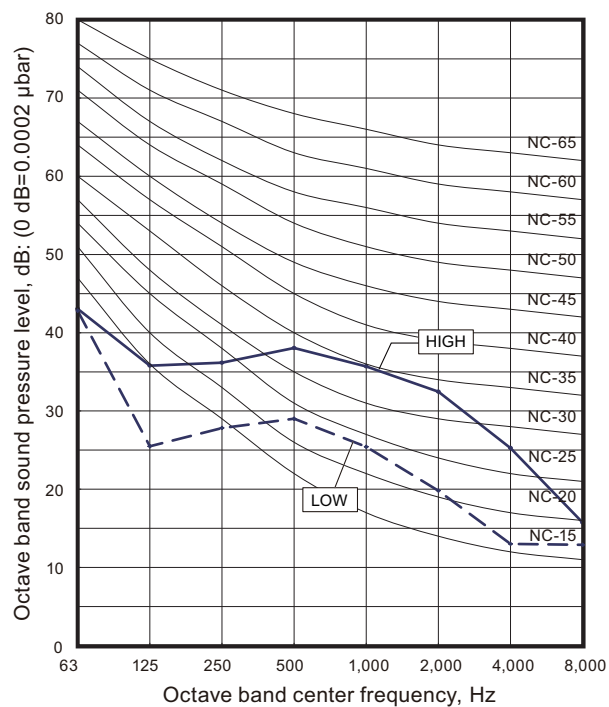
• **Model: AS*E007GCEH**



• **Model: AS*E009GCEH**



• **Model: AS*E012GCEH**

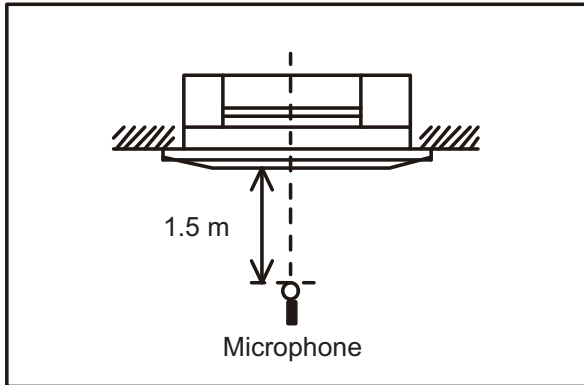


INDOOR
UNITS

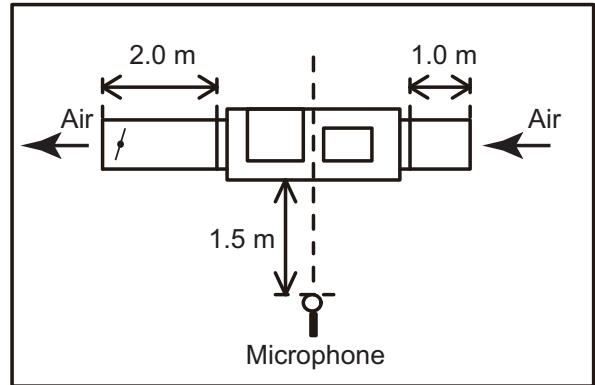
INDOOR
UNITS

9-17. Sound level check point

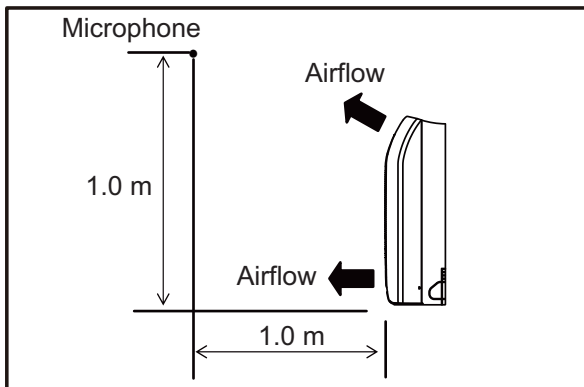
- Compact cassette type
- Circular flow cassette type
- Cassette type



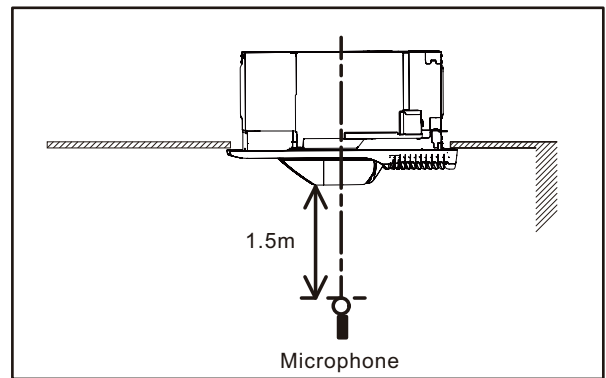
- Low static pressure duct (Mini duct) type
- Low static pressure duct (Slim duct) type
- Medium static pressure duct type
- High static pressure duct type



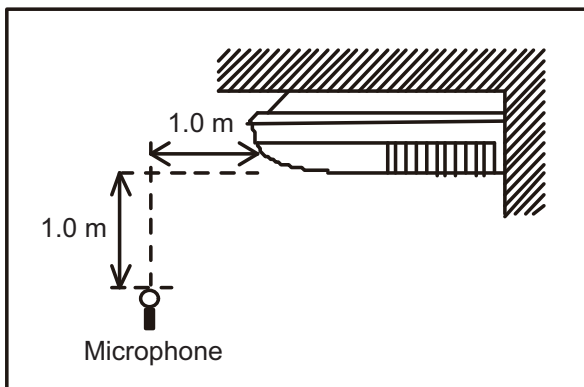
- Compact floor type



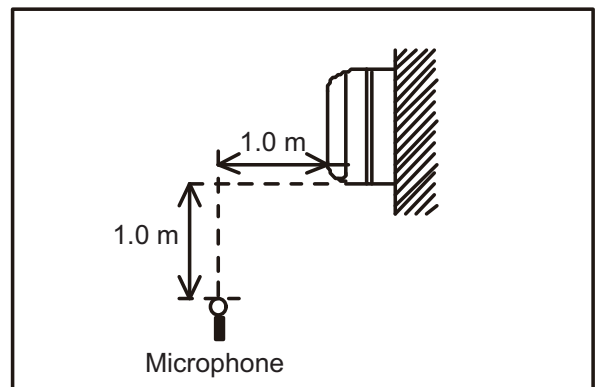
- 3D flow cassette type



- Floor/Ceiling type
- Ceiling type



- Wall mounted type



INDOOR
UNITS

INDOOR
UNITS