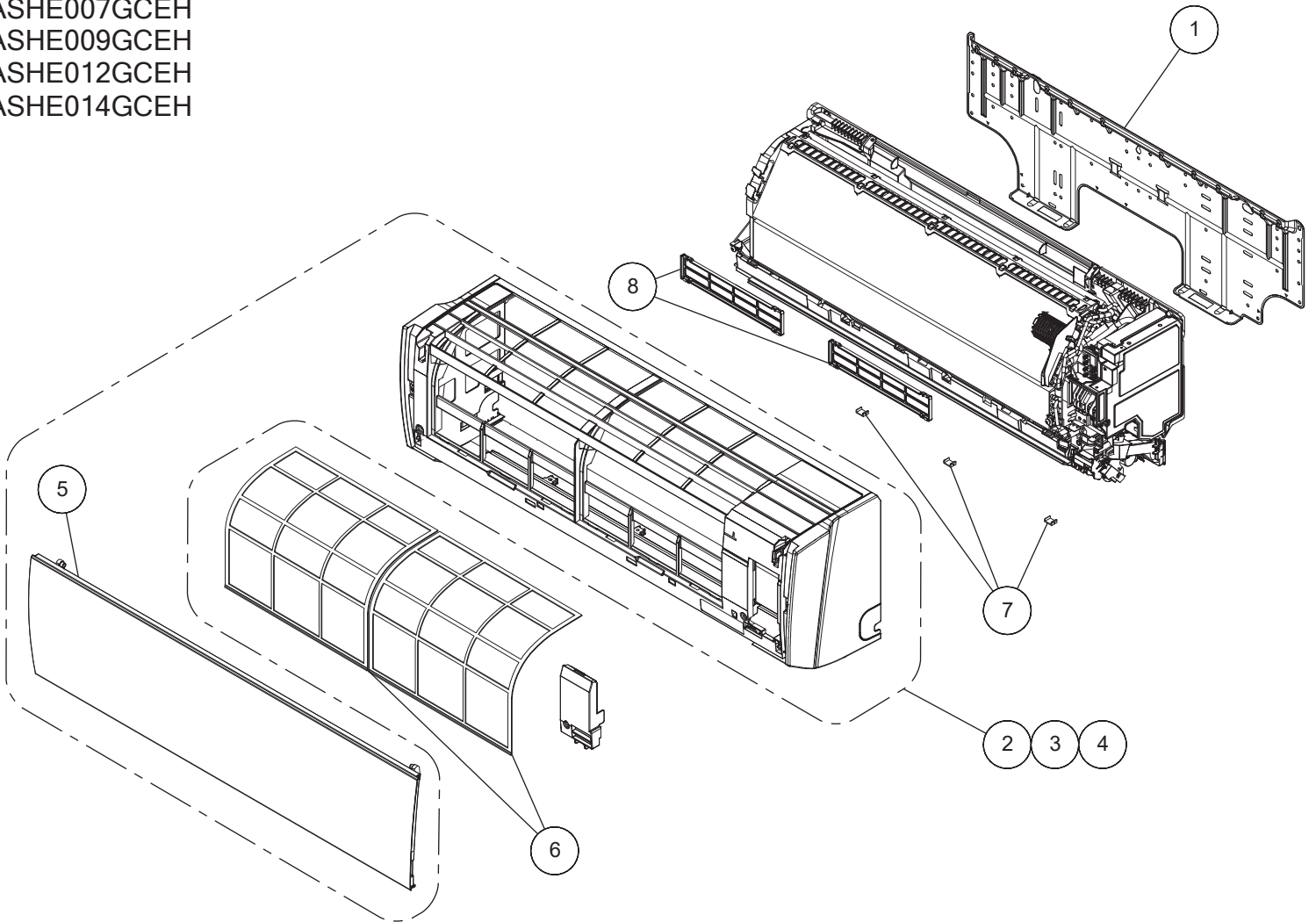
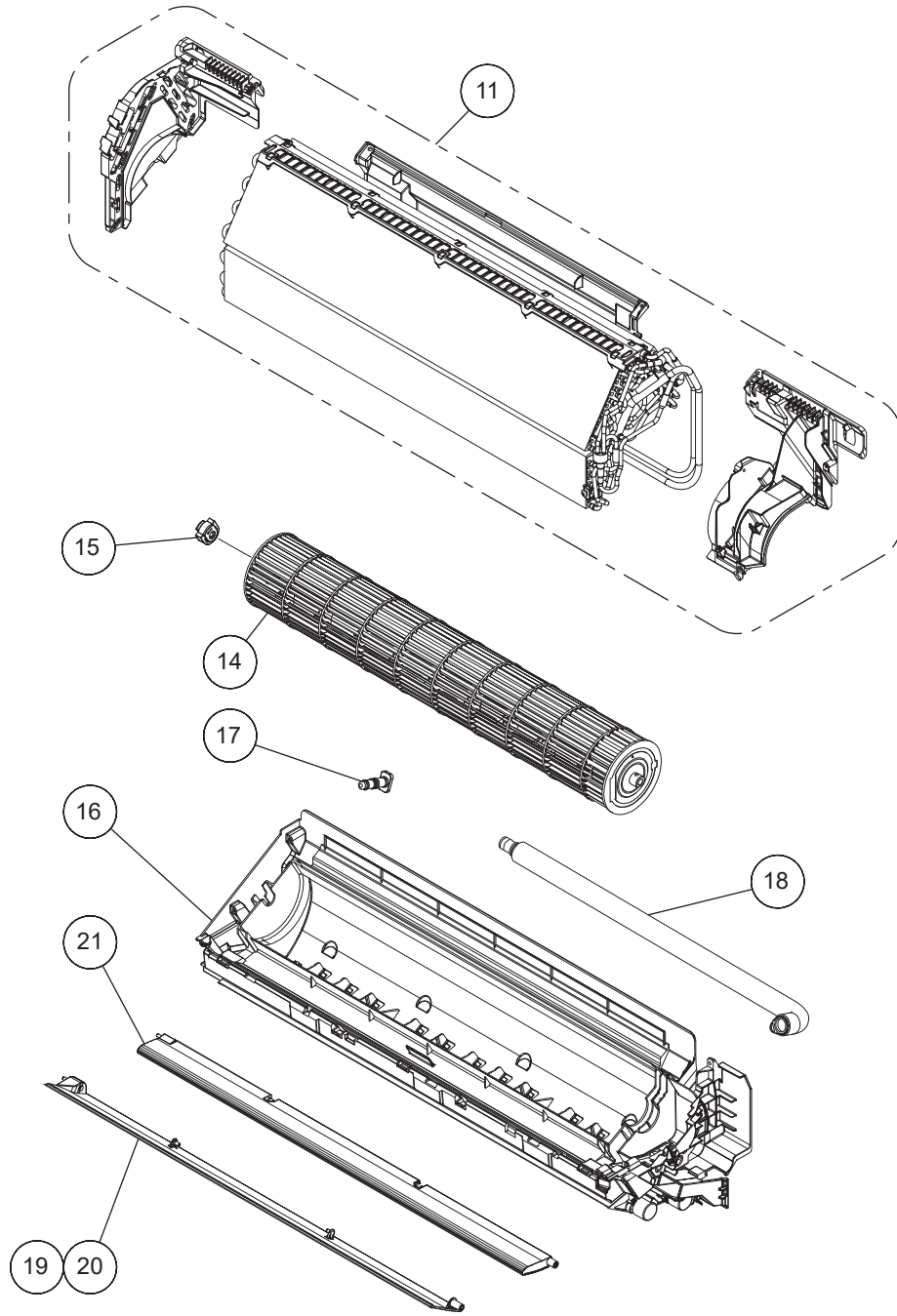


PARTS

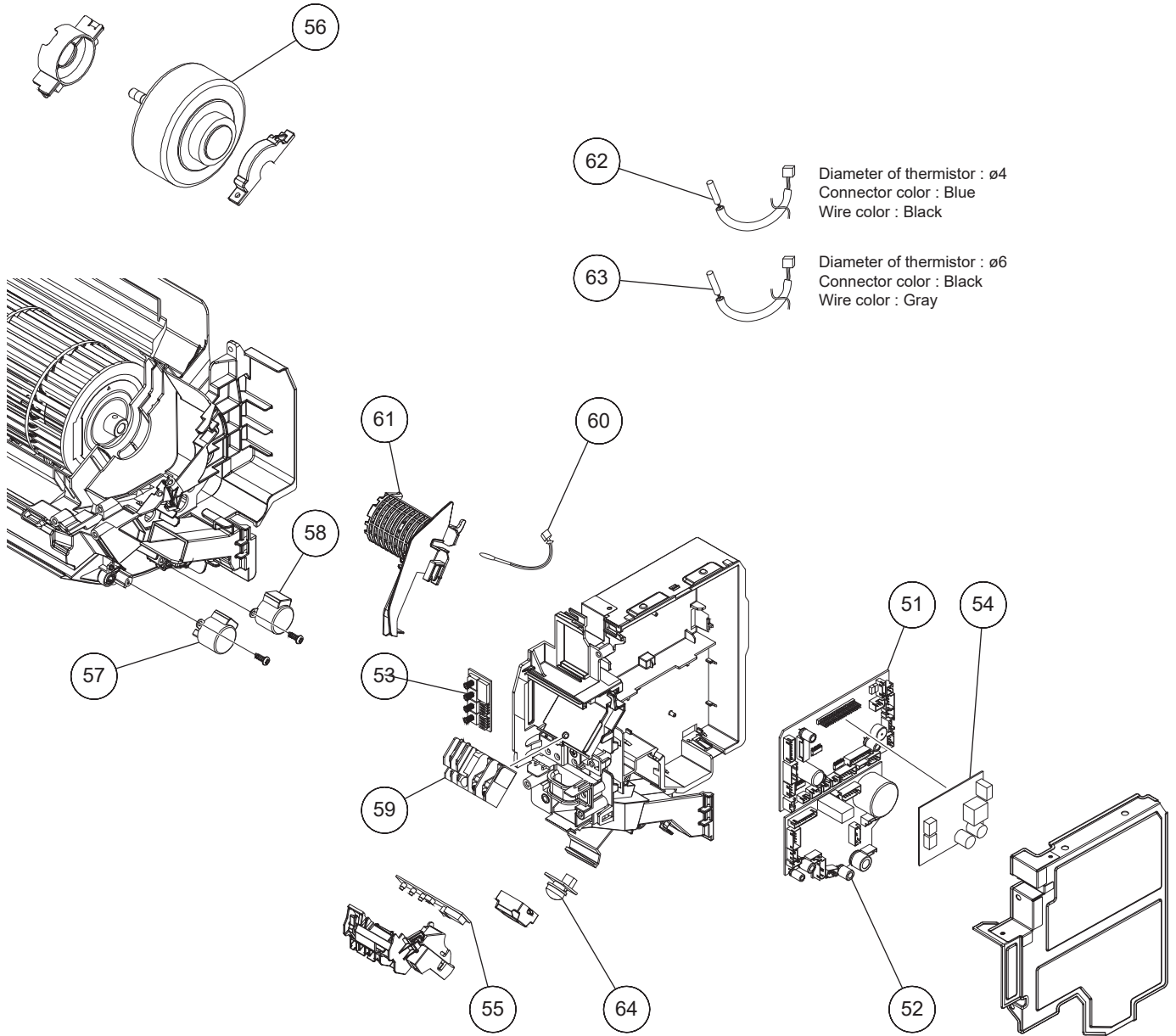
ASYE004GCEH
 ASYE007GCEH
 ASYE009GCEH
 ASYE012GCEH
 ASYE014GCEH
 ASHE004GCEH
 ASHE007GCEH
 ASHE009GCEH
 ASHE012GCEH
 ASHE014GCEH



Ref No.	Description	Parts No.					Q'ty
		AS* E004GCEH	AS* E007GCEH	AS* E009GCEH	AS* E012GCEH	AS* E014GCEH	
1	BRACKET PANEL	9332882018	9332882018	9332882018	9332882018	9332882018	
2	FRONT PANEL TOTAL ASSY (FUJITSU)	9332994186	9332994186	9332994186	9332994186	9332994186	
	FRONT PANEL TOTAL ASSY (GENERAL)	9332994193	9332994193	9332994193	9332994193	9332994193	
3	LABEL (FORCE AUTO)	9382702021	9382702021	9382702021	9382702021	9382702021	
4	LABEL (DISPLAY)	9332898033	9332898033	9332898033	9332898033	9332898033	
5	INTAKE GRILLE ASSY (FUJITSU)	9332996005	9332996005	9332996005	9332996005	9332996005	
	INTAKE GRILLE ASSY (GENERAL)	9332996005	9332996005	9332996005	9332996005	9332996005	
6	AIR FILTER	9332875010	9332875010	9332875010	9332875010	9332875010	
7	CAP (SCREW)	9309002081	9309002081	9309002081	9309002081	9309002081	
8	HOLDER (ELECTRIC FILTER)	9332911008	9332911008	9332911008	9332911008	9332911008	
-	AIR CLEAN FILTER ASSY	9317250009	9317250009	9317250009	9317250009	9317250009	



Ref No.	Description	Parts No.					Q'ty
		AS* E004GCEH	AS* E007GCEH	AS* E009GCEH	AS* E012GCEH	AS* E014GCEH	
11	EVAPORATOR TOTAL ASSY	9332989601	9332989618	9332989618	9332989250	9332989250	
14	CROSS FLOW FAN ASSY	9316830004	9316830004	9316830004	9316830004	9316830004	
15	BEARING C ASSY	9306628017	9306628017	9306628017	9306628017	9306628017	
16	CASING ASSY	9333009087	9333009087	9333009087	9333009087	9333009087	
17	CAP (DRAIN)	9316177017	9316177017	9316177017	9316177017	9316177017	
18	HOSE (DRAIN) ASSY	9316904002	9316904002	9316904002	9316904002	9316904002	
19	LOUVER	9333353005	9333353005	9333353005	9333353005	9333353005	
20	INS (LOUVER)	9375432119	9375432119	9375432119	9375432119	9375432119	
21	DIFFUSER ASSY	9332998009	9332998009	9332998009	9332998009	9332998009	
--	SPRING (LOUVER)	9332999006	9332999006	9332999006	9332999006	9332999006	
--	SPRING (DIFFUSER)	9333010007	9333010007	9333010007	9333010007	9333010007	



Ref No.	Description	Parts No.					Q'ty
		AS* E004GCEH	AS* E007GCEH	AS* E009GCEH	AS* E012GCEH	AS* E014GCEH	
51	CONTROLLER PCB	9710873058	9710873058	9710873058	9710873119	9710873119	
52	POWER SUPPLY PCB	9710874017	9710874017	9710874017	9710874000	9710874000	
53	SWITCH PCB	9710644009	9710644009	9710644009	9710644009	9710644009	
54	COMMUNICATION PCB	9709373026	9709373026	9709373026	9709373026	9709373026	
55	INDICATOR PCB	9709431054	9709431054	9709431054	9709431054	9709431054	
56	DC MOTOR	9603269005	9603269005	9603269005	9603269005	9603269005	
57	STEP MOTOR (LOUVER)	9900790028	9900790028	9900790028	9900790028	9900790028	
58	STEP MOTOR (DIFFUSER)	9900790035	9900790035	9900790035	9900790035	9900790035	
59	TERMINAL	9900952006	9900952006	9900952006	9900952006	9900952006	
60	ROOM THERMISTOR	9900960025	9900960025	9900960025	9900960025	9900960025	
61	ROOM THERMISTOR HOLDER	9382805005	9382805005	9382805005	9382805005	9382805005	
62	PIPE THERMISTOR (INLET)	9900622039	9900622039	9900622039	9900622039	9900622039	
63	PIPE THERMISTOR (OUTLET)	9900623050	9900623050	9900623050	9900623050	9900623050	
64	PYROELECTRIC SENSOR	9317755061	9317755061	9317755061	9317755061	9317755061	