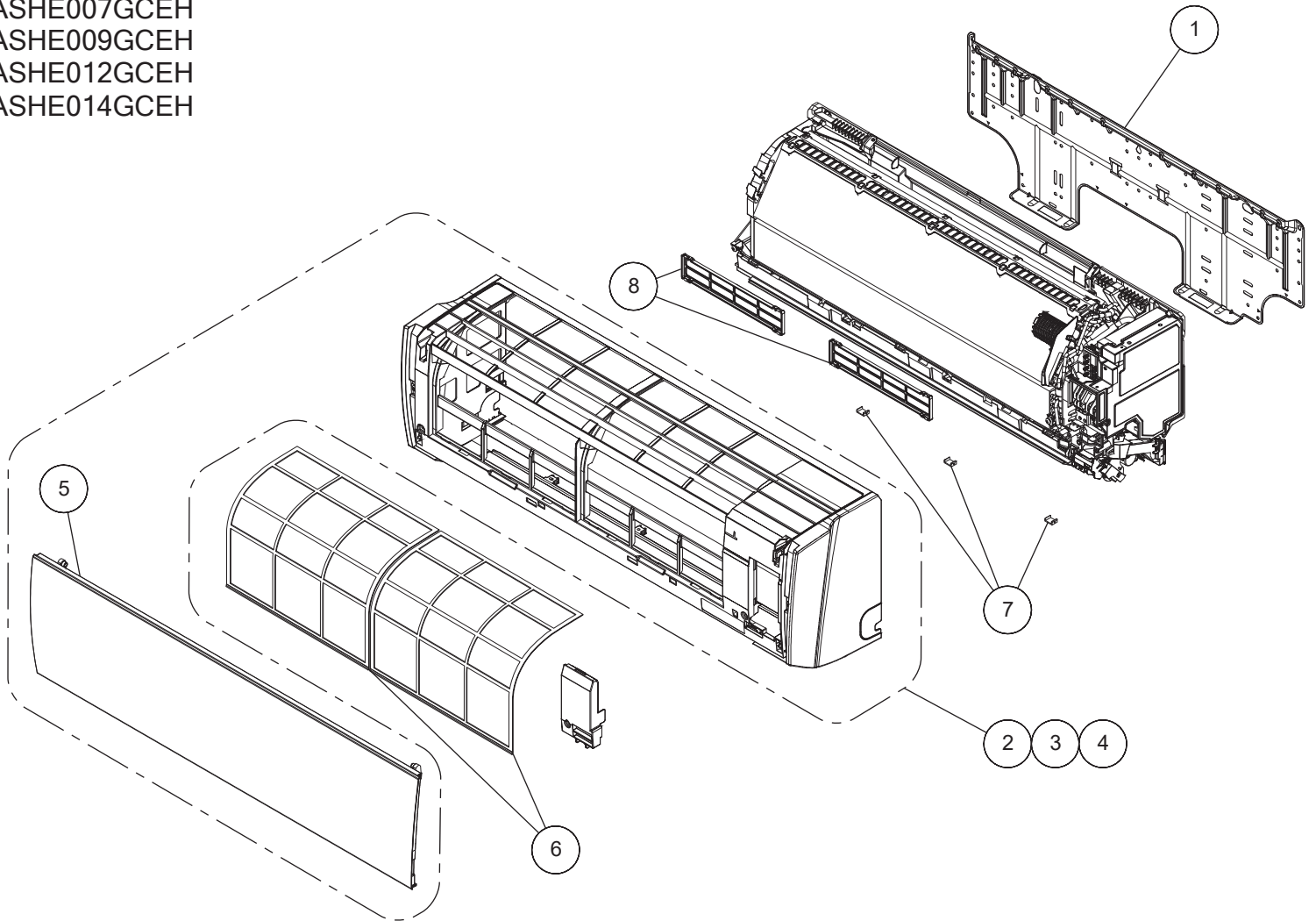
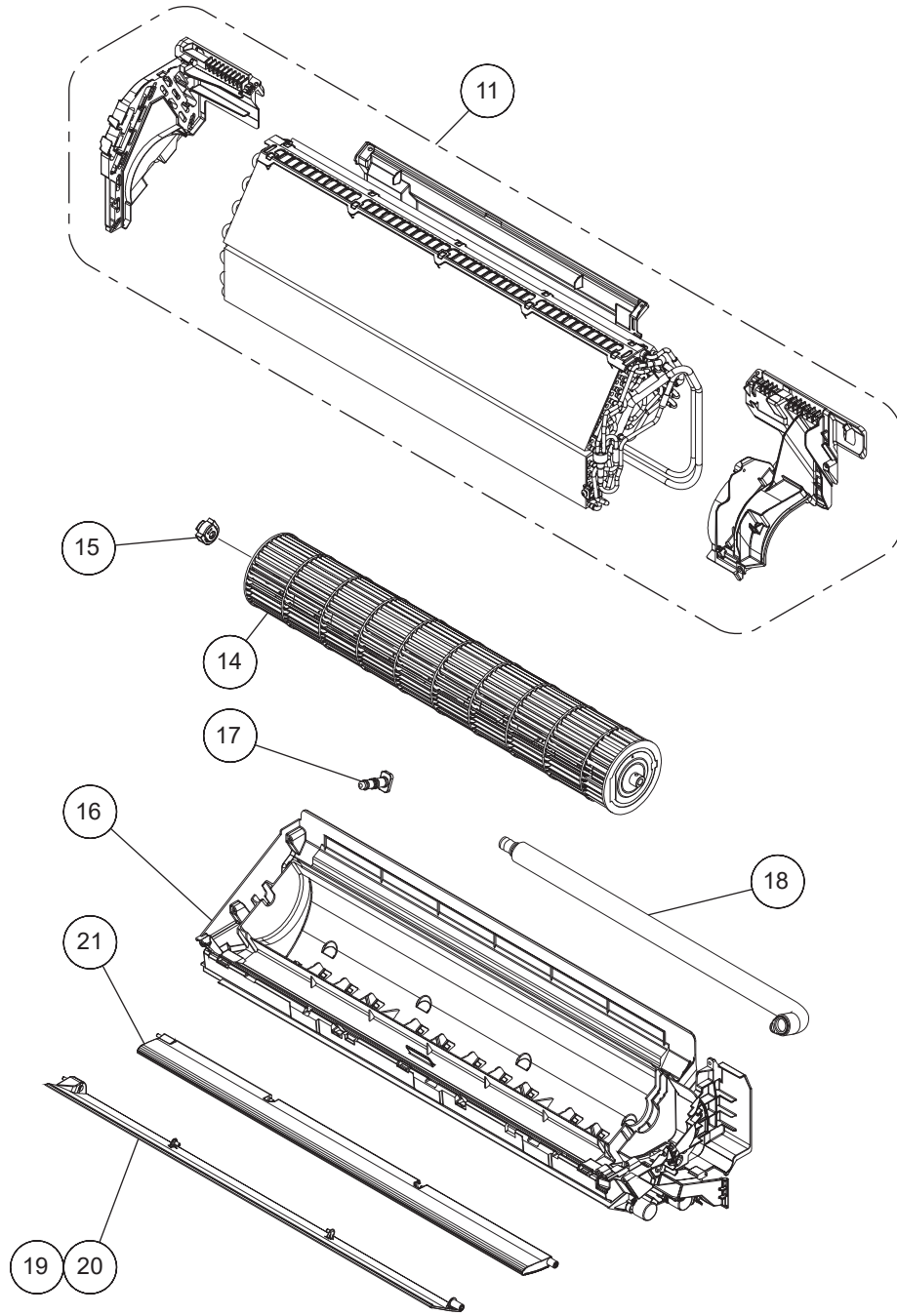


PARTS

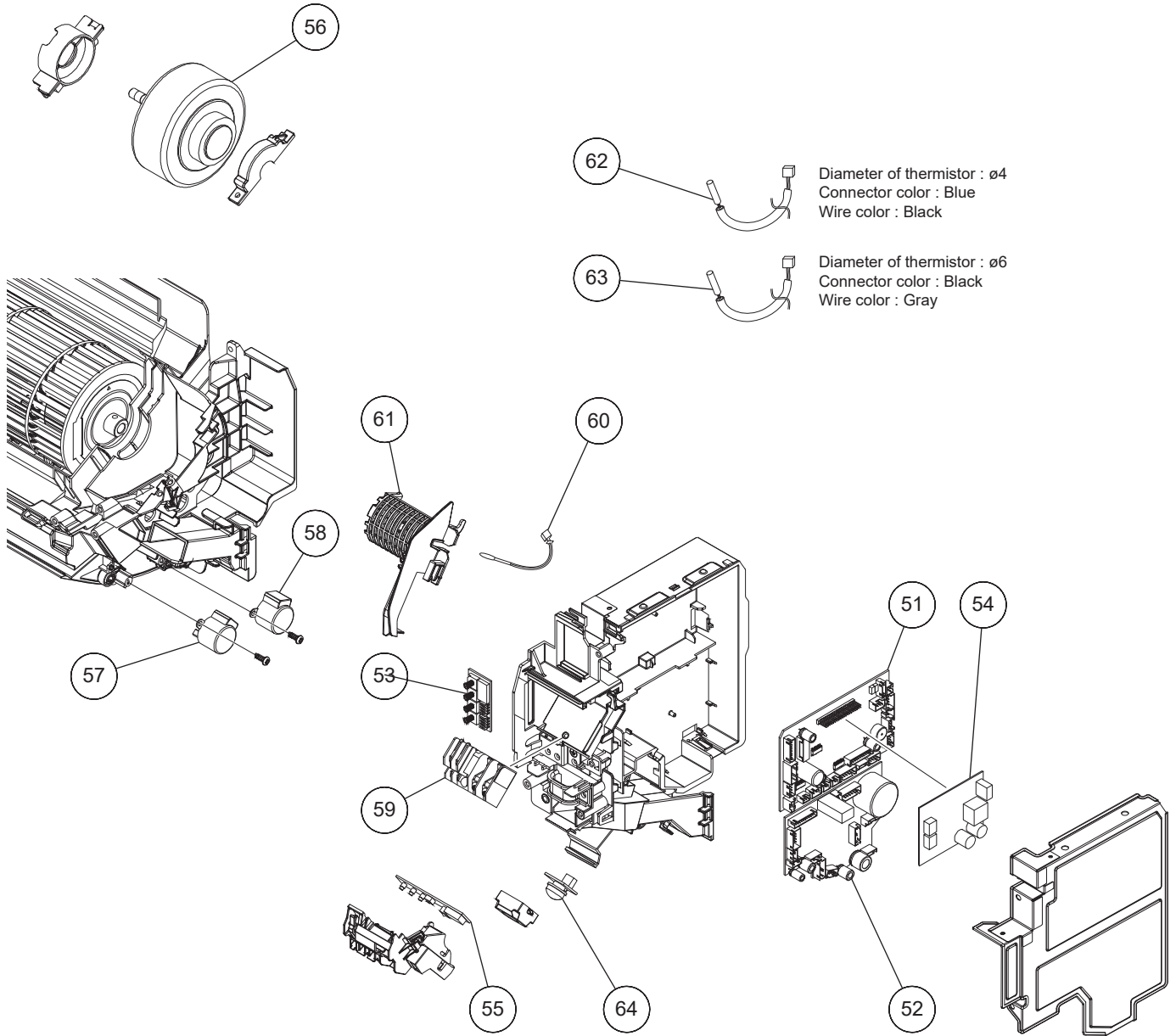
ASYE004GCEH
 ASYE007GCEH
 ASYE009GCEH
 ASYE012GCEH
 ASYE014GCEH
 ASHE004GCEH
 ASHE007GCEH
 ASHE009GCEH
 ASHE012GCEH
 ASHE014GCEH



| Ref No. | Description | Parts No. | | | | | Q'ty |
|---------|----------------------------------|--------------|--------------|--------------|--------------|--------------|------|
| | | AS* E004GCEH | AS* E007GCEH | AS* E009GCEH | AS* E012GCEH | AS* E014GCEH | |
| 1 | BRACKET PANEL | 9332882018 | 9332882018 | 9332882018 | 9332882018 | 9332882018 | |
| 2 | FRONT PANEL TOTAL ASSY (FUJITSU) | 9332994186 | 9332994186 | 9332994186 | 9332994186 | 9332994186 | |
| | FRONT PANEL TOTAL ASSY (GENERAL) | 9332994193 | 9332994193 | 9332994193 | 9332994193 | 9332994193 | |
| 3 | LABEL (FORCE AUTO) | 9382702021 | 9382702021 | 9382702021 | 9382702021 | 9382702021 | |
| 4 | LABEL (DISPLAY) | 9332898033 | 9332898033 | 9332898033 | 9332898033 | 9332898033 | |
| 5 | INTAKE GRILLE ASSY (FUJITSU) | 9332996005 | 9332996005 | 9332996005 | 9332996005 | 9332996005 | |
| | INTAKE GRILLE ASSY (GENERAL) | 9332996005 | 9332996005 | 9332996005 | 9332996005 | 9332996005 | |
| 6 | AIR FILTER | 9332875010 | 9332875010 | 9332875010 | 9332875010 | 9332875010 | |
| 7 | CAP (SCREW) | 9309002081 | 9309002081 | 9309002081 | 9309002081 | 9309002081 | |
| 8 | HOLDER (ELECTRIC FILTER) | 9332911008 | 9332911008 | 9332911008 | 9332911008 | 9332911008 | |
| - | AIR CLEAN FILTER ASSY | 9317250009 | 9317250009 | 9317250009 | 9317250009 | 9317250009 | |



| Ref No. | Description | Parts No. | | | | | Q'ty |
|---------|-----------------------|--------------|--------------|--------------|--------------|--------------|------|
| | | AS* E004GCEH | AS* E007GCEH | AS* E009GCEH | AS* E012GCEH | AS* E014GCEH | |
| 11 | EVAPORATOR TOTAL ASSY | 9332989601 | 9332989618 | 9332989618 | 9332989250 | 9332989250 | |
| 14 | CROSS FLOW FAN ASSY | 9316830004 | 9316830004 | 9316830004 | 9316830004 | 9316830004 | |
| 15 | BEARING C ASSY | 9306628017 | 9306628017 | 9306628017 | 9306628017 | 9306628017 | |
| 16 | CASING ASSY | 9333009087 | 9333009087 | 9333009087 | 9333009087 | 9333009087 | |
| 17 | CAP (DRAIN) | 9316177017 | 9316177017 | 9316177017 | 9316177017 | 9316177017 | |
| 18 | HOSE (DRAIN) ASSY | 9316904002 | 9316904002 | 9316904002 | 9316904002 | 9316904002 | |
| 19 | LOUVER | 9333353005 | 9333353005 | 9333353005 | 9333353005 | 9333353005 | |
| 20 | INS (LOUVER) | 9375432119 | 9375432119 | 9375432119 | 9375432119 | 9375432119 | |
| 21 | DIFFUSER ASSY | 9332998009 | 9332998009 | 9332998009 | 9332998009 | 9332998009 | |
| -- | SPRING (LOUVER) | 9332999006 | 9332999006 | 9332999006 | 9332999006 | 9332999006 | |
| -- | SPRING (DIFFUSER) | 9333010007 | 9333010007 | 9333010007 | 9333010007 | 9333010007 | |



| Ref No. | Description | Parts No. | | | | | Q'ty |
|---------|--------------------------|--------------|--------------|--------------|--------------|--------------|------|
| | | AS* E004GCEH | AS* E007GCEH | AS* E009GCEH | AS* E012GCEH | AS* E014GCEH | |
| 51 | CONTROLLER PCB | 9710873058 | 9710873058 | 9710873058 | 9710873119 | 9710873119 | |
| 52 | POWER SUPPLY PCB | 9710874017 | 9710874017 | 9710874017 | 9710874000 | 9710874000 | |
| 53 | SWITCH PCB | 9710644009 | 9710644009 | 9710644009 | 9710644009 | 9710644009 | |
| 54 | COMMUNICATION PCB | 9709373026 | 9709373026 | 9709373026 | 9709373026 | 9709373026 | |
| 55 | INDICATOR PCB | 9709431054 | 9709431054 | 9709431054 | 9709431054 | 9709431054 | |
| 56 | DC MOTOR | 9603269005 | 9603269005 | 9603269005 | 9603269005 | 9603269005 | |
| 57 | STEP MOTOR (LOUVER) | 9900790028 | 9900790028 | 9900790028 | 9900790028 | 9900790028 | |
| 58 | STEP MOTOR (DIFFUSER) | 9900790035 | 9900790035 | 9900790035 | 9900790035 | 9900790035 | |
| 59 | TERMINAL | 9900952006 | 9900952006 | 9900952006 | 9900952006 | 9900952006 | |
| 60 | ROOM THERMISTOR | 9900960025 | 9900960025 | 9900960025 | 9900960025 | 9900960025 | |
| 61 | ROOM THERMISTOR HOLDER | 9382805005 | 9382805005 | 9382805005 | 9382805005 | 9382805005 | |
| 62 | PIPE THERMISTOR (INLET) | 9900622039 | 9900622039 | 9900622039 | 9900622039 | 9900622039 | |
| 63 | PIPE THERMISTOR (OUTLET) | 9900623050 | 9900623050 | 9900623050 | 9900623050 | 9900623050 | |
| 64 | PYROELECTRIC SENSOR | 9317755061 | 9317755061 | 9317755061 | 9317755061 | 9317755061 | |