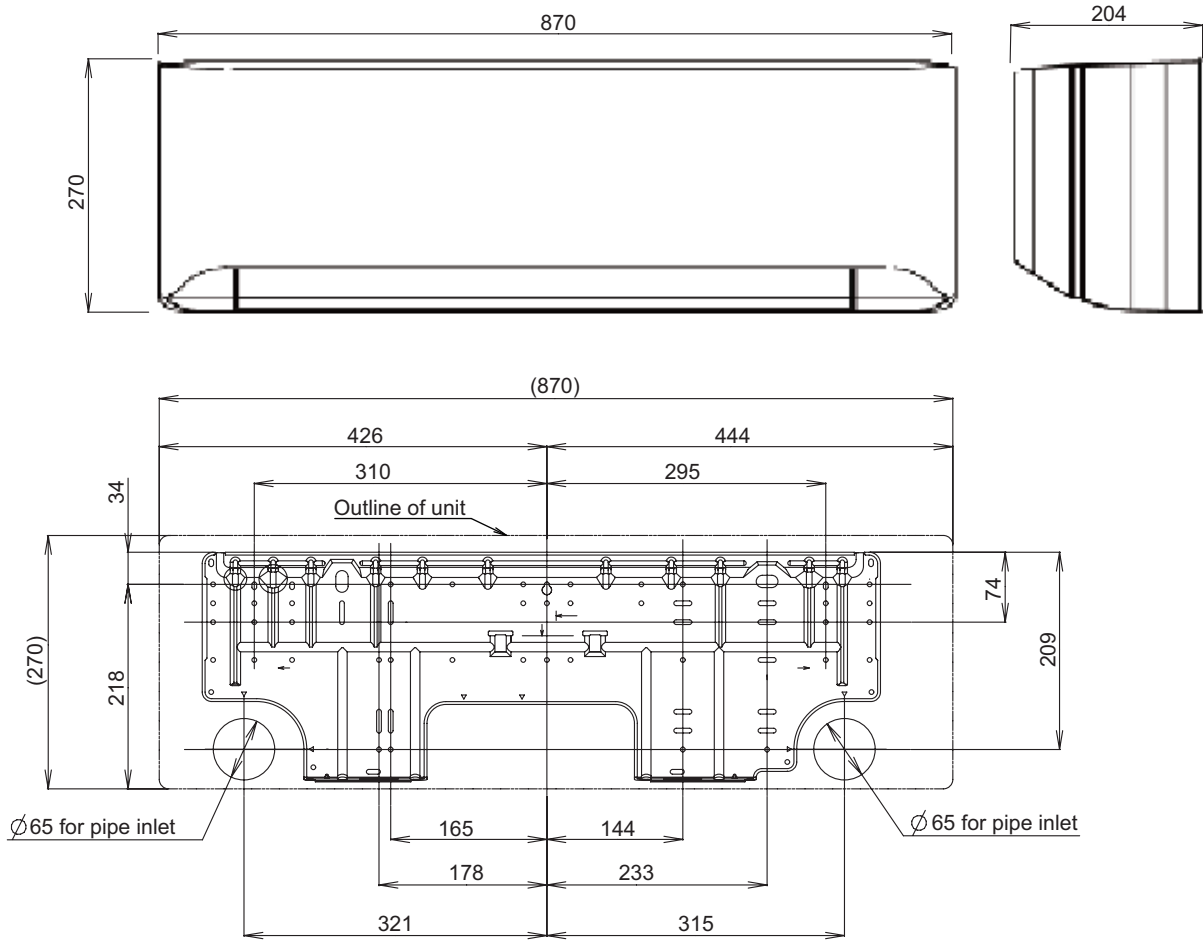


2. Dimensions

2-1. Models: ASYG07LMCE, ASYG09LMCE, ASYG12LMCE, and ASYG14LMCE

Unit: mm



■ Installation space requirement

Provide sufficient installation space for product safety.

Unit: mm

