

11. EXTERNAL INPUT & OUTPUT

Connector	INPUT	OUTPUT	REMARKS
CN14	Control input	-	See external input/output settings for details.
CN16	-	Operation status output	

11-1. EXTERNAL INPUT

■ CONTROL INPUT (Operation/Stop or Forced stop)

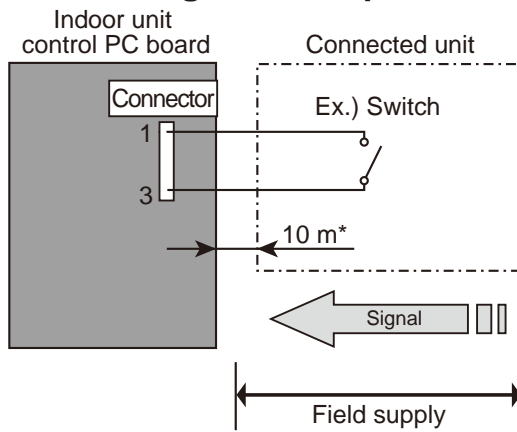
The air conditioner can be remotely operated by means of the following on-site work.

"Operation/Stop" mode or "Forced stop" mode can be selected with function setting of indoor unit.

Operation is started at the following contents by adding the contact input of a commercial ON/OFF switch to a connector on the external control PC board and turning it ON.

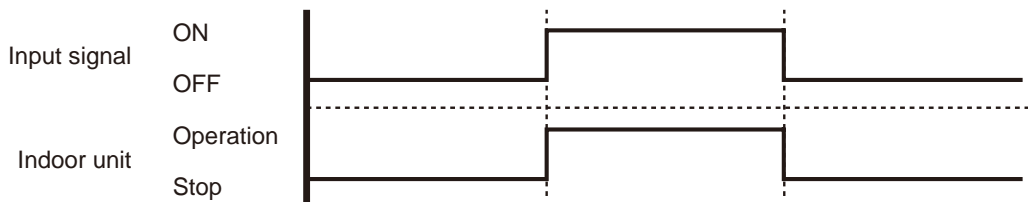
	Initial setting after power is ON	Starting mode other than initial setting
Operation mode	Auto changeover	Mode at previous operation
Set temperature	24 °C	Temperature at previous operation
Airflow mode	AUTO	Mode at previous operation
Up-down air direction (swing)	Standard air direction (swing OFF)	Air direction at previous operation
Left-right air direction (swing)	Standard air direction (swing OFF)	Air direction at previous operation

● Circuit diagram example

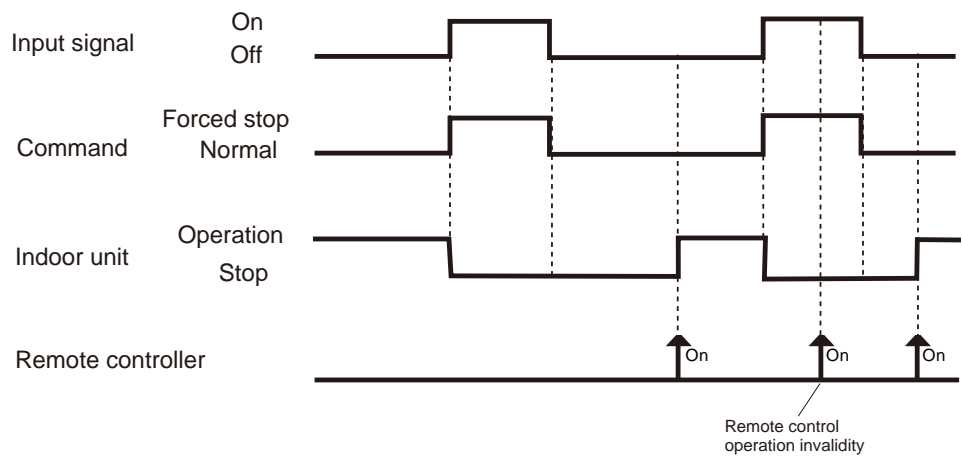


*: Make the distance from the PC board to the connected unit within 10 m.
Contact capacity : DC 24 V or more, 10 mA or more.
Use the non-polar relays and switches.

● When function setting is "Operation/Stop" mode



● When function setting is "Forced stop" mode



● Parts (Optional)

Parts name	Model name
External connect kit	UTY-XWZX

Wire (External input) : UTY-XWZX

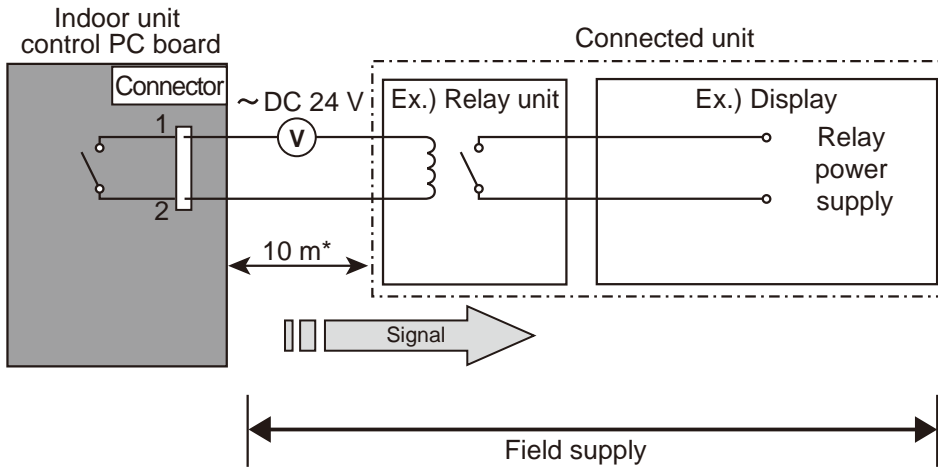


11-2. EXTERNAL OUTPUT

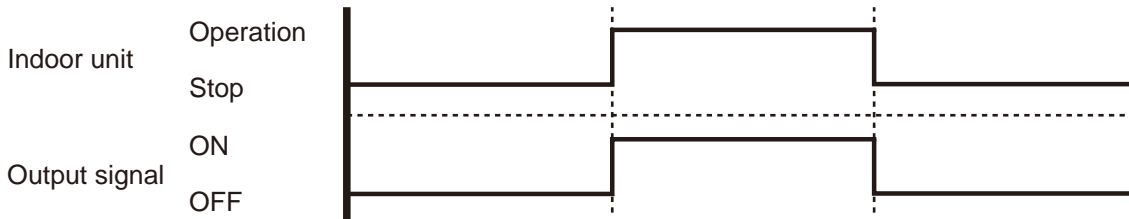
■ OPERATION STATUS OUTPUT

An air conditioner operation status signal can be output.

● Circuit diagram example



*: Make the distance from the PC board to the connected unit within 10 m.
Relay spec. : Max. DC 24 V, 10 mA to less than 500 mA.



● Parts (Optional)

Parts name	Model name
External connect kit	UTY-XWZX

Wire (External input) : UTY-XWZX

