

ASYG24KLCA

Please visit our webstore for full product and technical documentation 

Unit Type	Remote Controller	Wall Mounted	IR Included
Nominal Cooling Capacity	(kW)	7.1	
Nominal Heating Capacity	(kW)	8.0	
Height	(mm)	293	
Width	(mm)	790	
Depth	(mm)	249	
Weight	(kg)	10	
Airflow Rate - Cooling - High	(m ³ /h)	1040	
Airflow Rate - Heating - High	(m ³ /h)	1040	
Sound Pressure Level - Cooling - High	(dB(A))	51	
Sound Pressure Level - Cooling - Low	(dB(A))	33	
Sound Pressure Level - Heating - High	(dB(A))	52	
Sound Pressure Level - Heating - Low	(dB(A))	37	
Sound Power Level - Cooling - High	(dB(A))	64	
Sound Power Level - Heating - High	(dB(A))	65	
Moisture Removal	(l/h)	3.1	
Refrigerant Type (Global Warming Potential)		R32 (675)	
Liquid Pipe Size		1/4"	
Gas Pipe Size		1/2"	
Unit Power Supply		From Outdoor Unit	



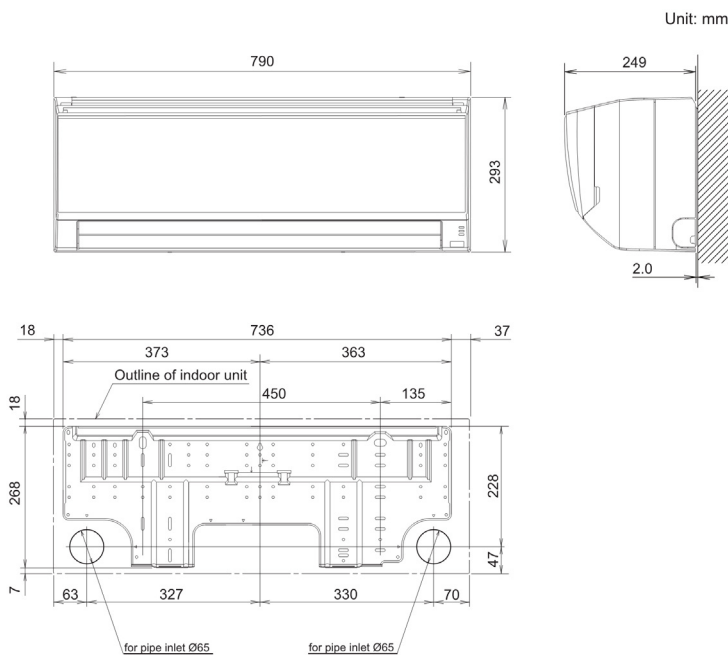
Document Downloads

- [Airflow - Fan Curve](#)
- [Controls & Accessories](#)
- [Dimensional Drawing](#)
- [Function Settings](#)
- [Installation Manual](#)
- [Noise Curve](#)
- [Operation Manual](#)
- [Product Image](#)
- [Spare Parts List All Pages](#)

- [Specifications](#)
- [Wiring Diagram](#)

Related Items

- [AOYG24KLCA](#) 7.1kW Outdoor Unit - R32 Single Phase



*Specifications and design are subject to change without notice for further improvement.
 •Actual products' colors may be different from the colors shown in this printed material.

Distributed by :

FUJITSU GENERAL AIR CONDITIONING (UK) LIMITED
 Unit 150, Centennial Park, Centennial Avenue, Elstree, Borehamwood, Herts, WD6 3SG

www.fujitsu-general.com/uk

sales@fgac.fujitsu-general.com

Tel: +44 (0) 208 731 3450 Fax: +44 (0) 208 731 3451