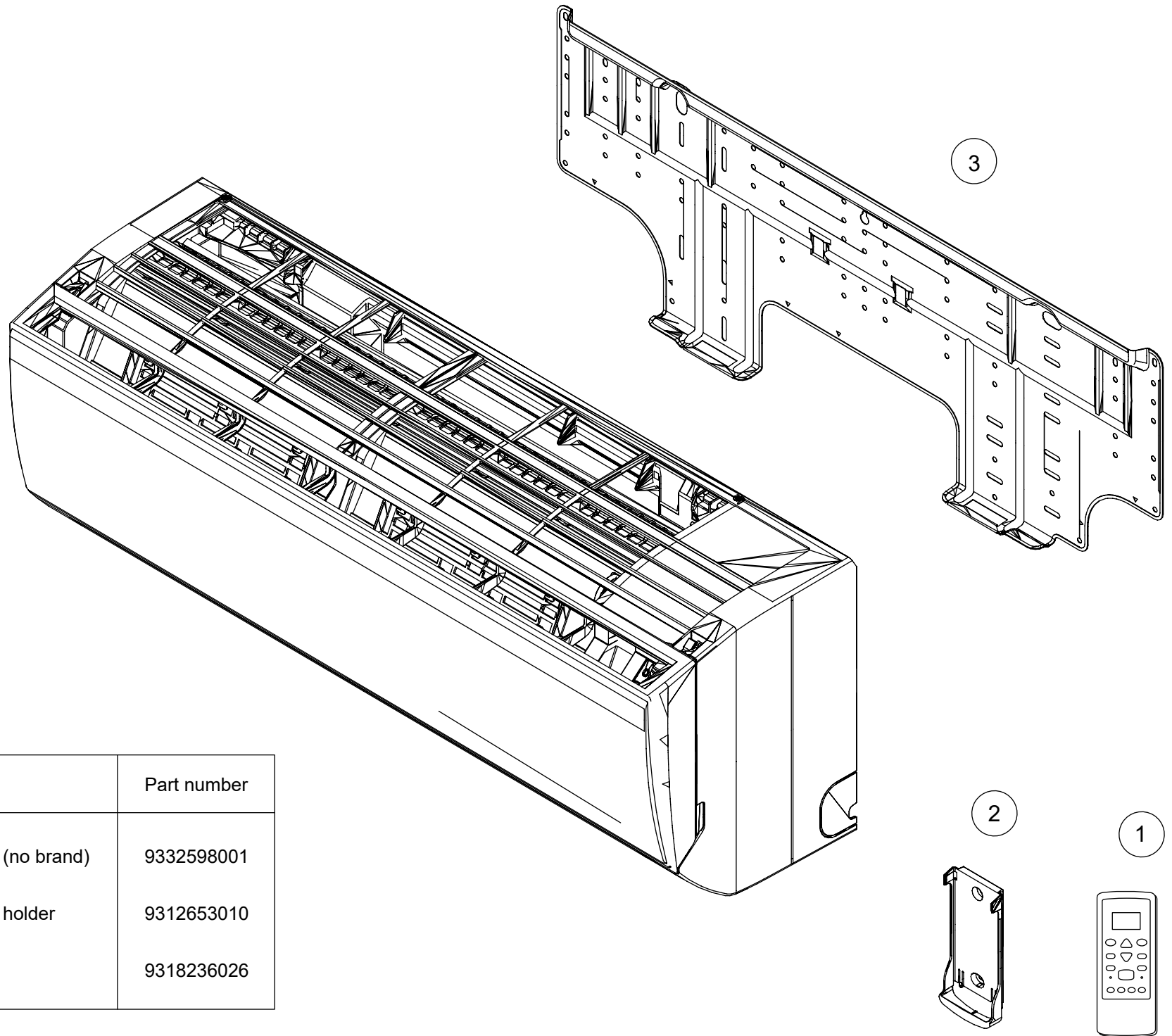


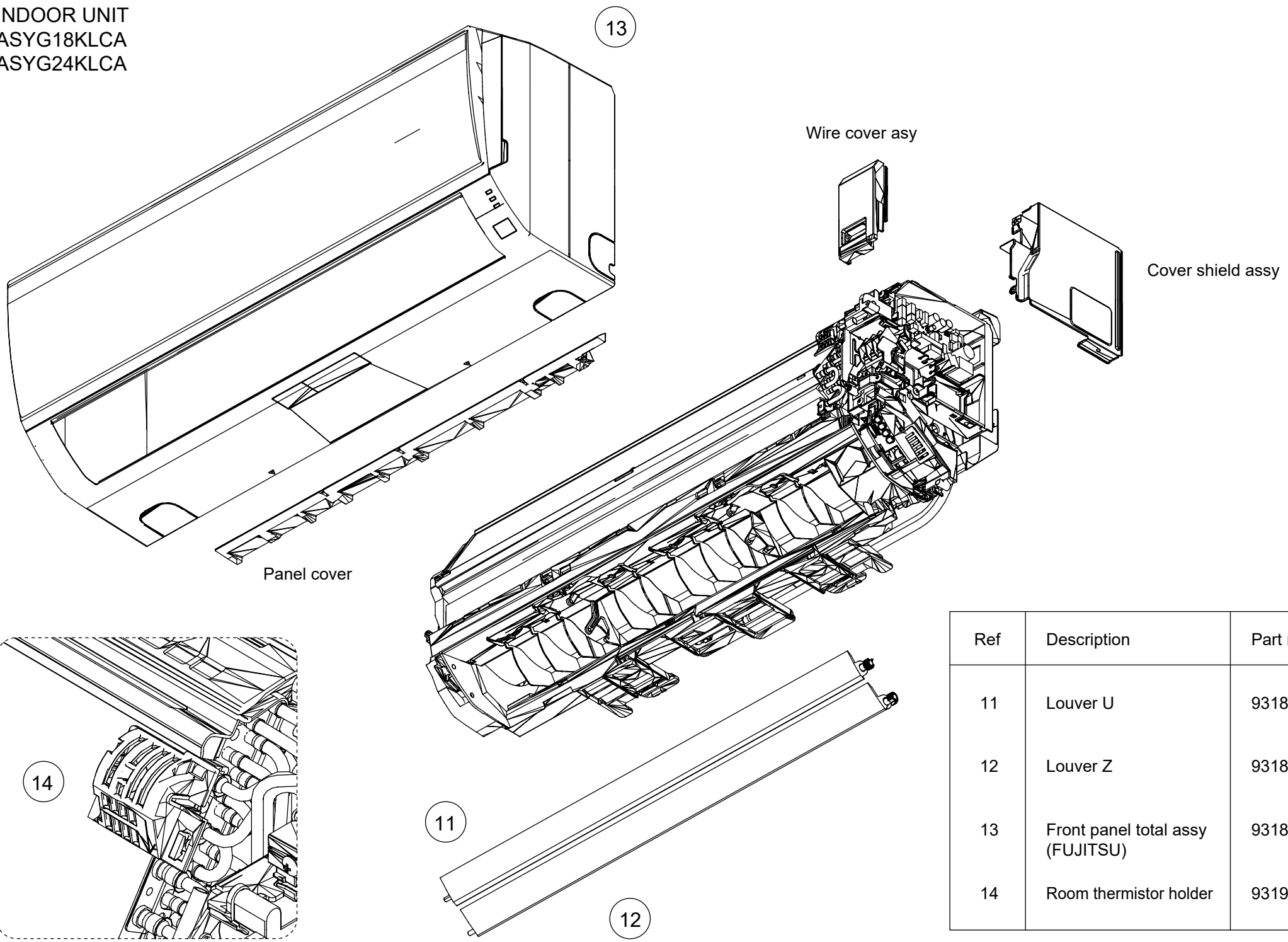
PARTS

INDOOR UNIT
ASYG18KLCA
ASYG24KLCA



Ref	Description	Part number
1	Remote control (no brand)	9332598001
2	Remote control holder	9312653010
3	Bracket panel	9318236026

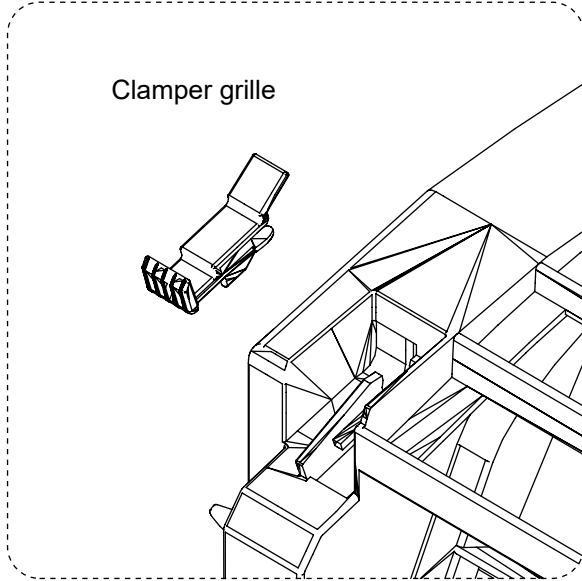
INDOOR UNIT
 ASYG18KLCA
 ASYG24KLCA



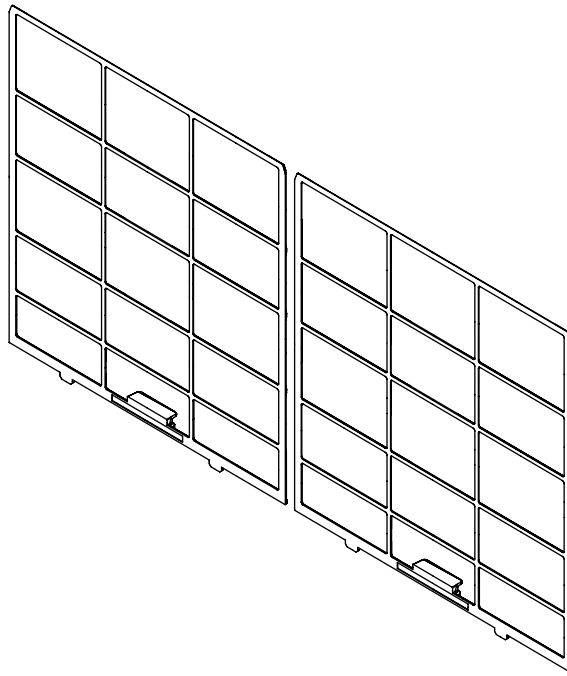
Ref	Description	Part number
11	Louver U	9318224016
12	Louver Z	9318225013
13	Front panel total asy (FUJITSU)	9318423235
14	Room thermistor holder	9319068008

INDOOR UNIT
 ASYG18KLCA
 ASYG24KLCA

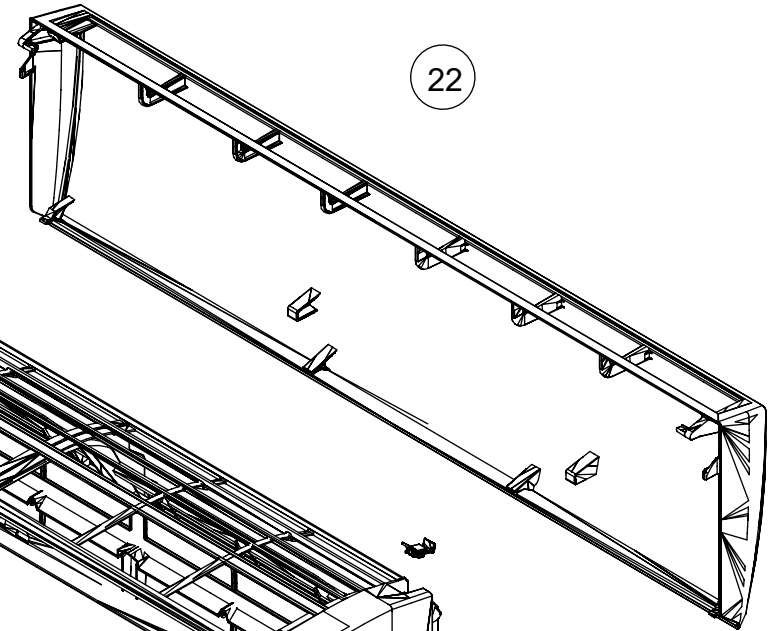
Front panel total assy



21



22

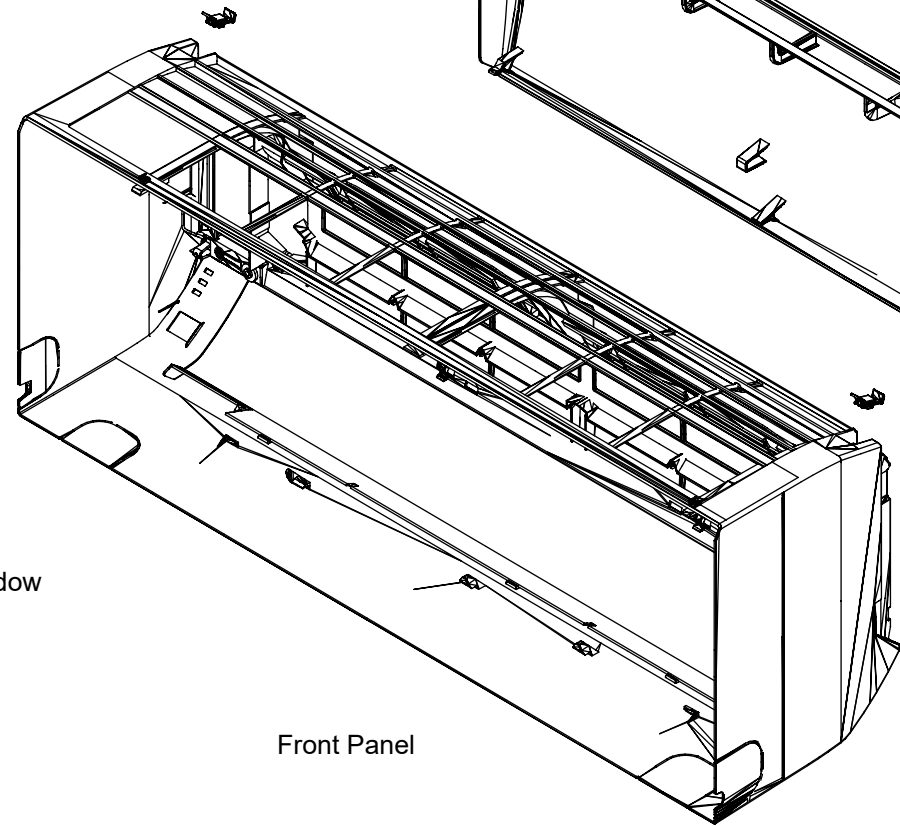


Ref	Description	Part number
21	Air filter	9318741001
22	Intake grille assy (FUJITSU)	9318424119

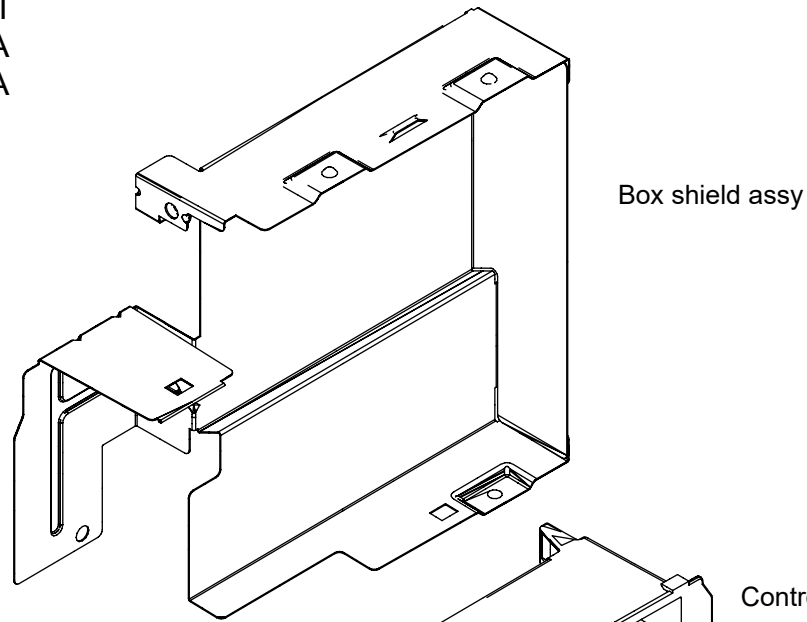
Receiver Window



Front Panel

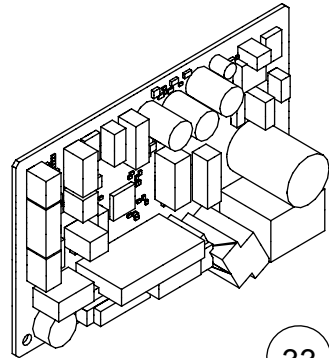
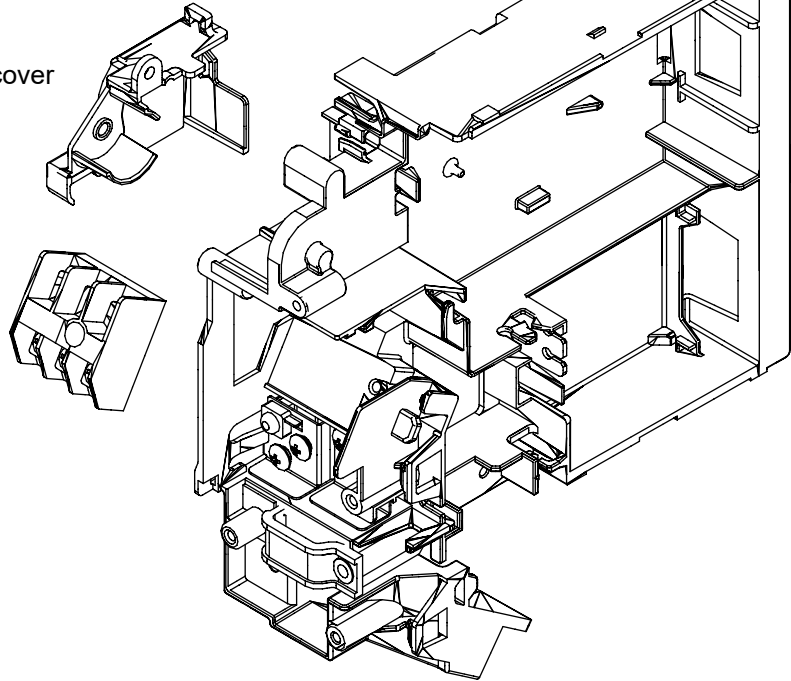


INDOOR UNIT
 ASYG18KLCA
 ASYG24KLCA



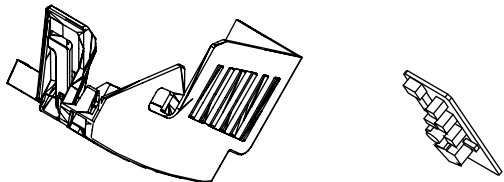
Gear cover

32



33

Display case



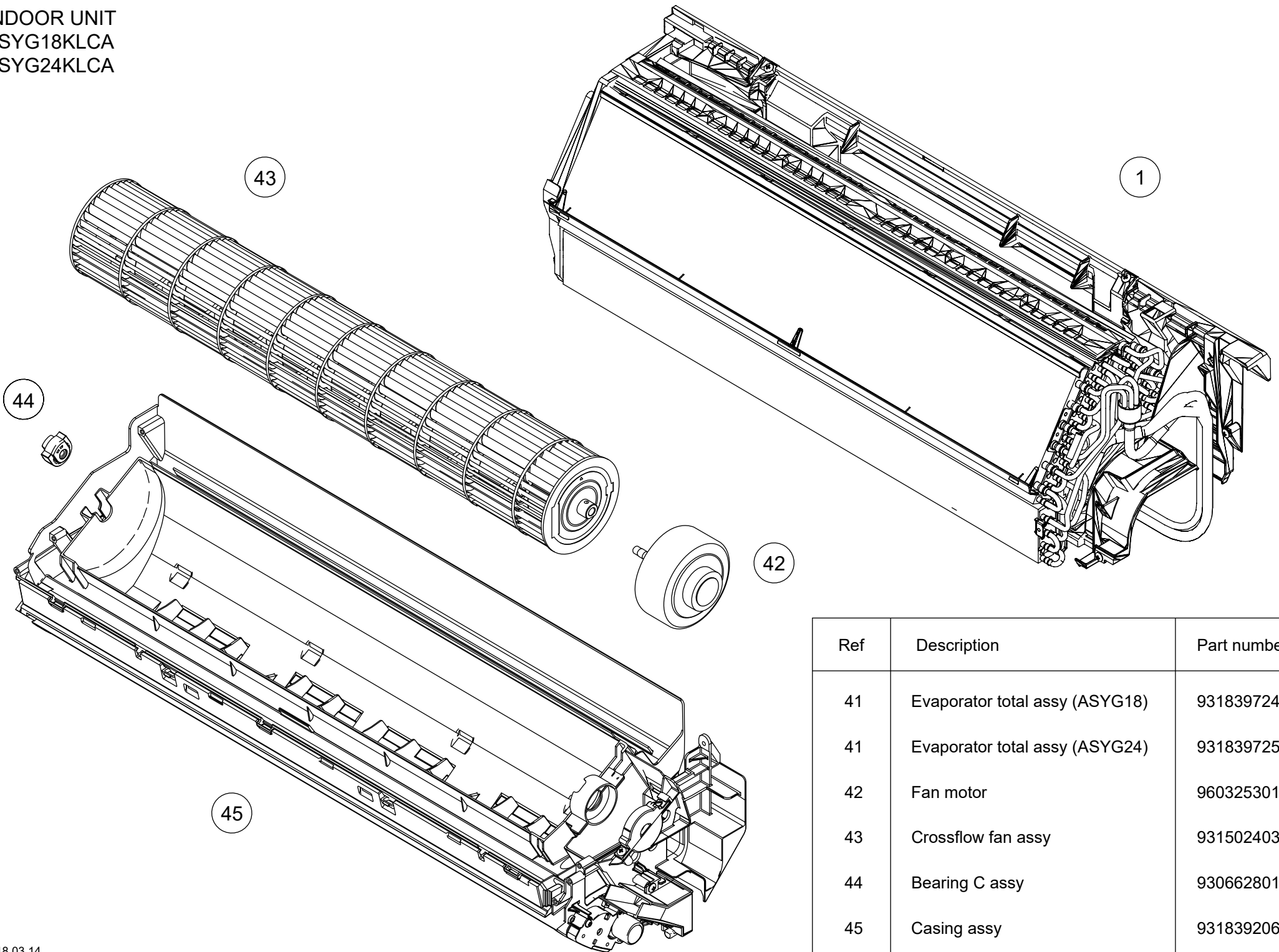
31



34

Ref	Description	Part number
31	Display PCB	9708365046
32	Terminal	9900720025
33	Main PCB (ASYG18)	9710368097
33	Main PCB (ASYG24)	9710368103
34	Thermistor assy	9900627058

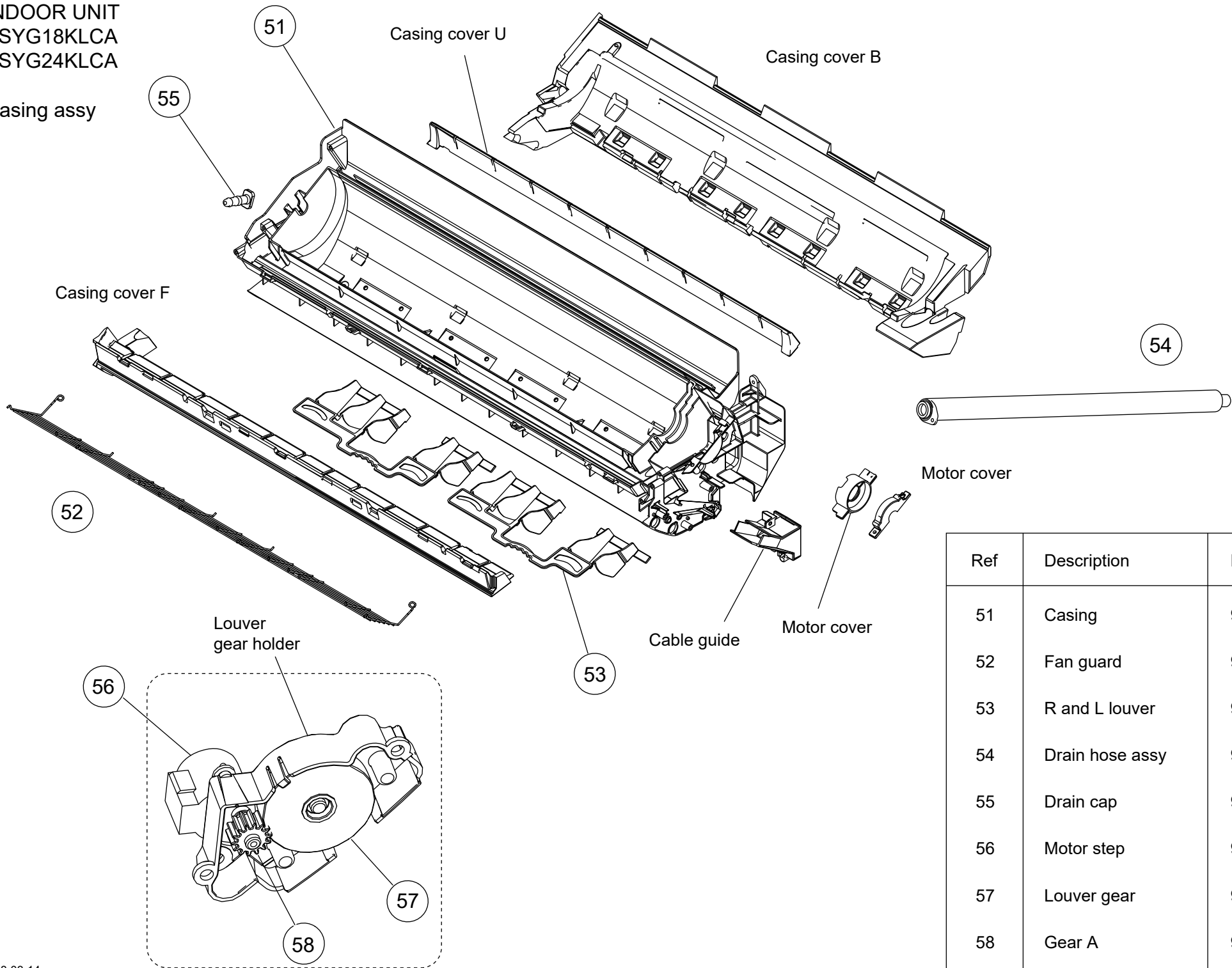
INDOOR UNIT
 ASYG18KLCA
 ASYG24KLCA



Ref	Description	Part number
41	Evaporator total assy (ASYG18)	9318397246
41	Evaporator total assy (ASYG24)	9318397253
42	Fan motor	9603253011
43	Crossflow fan assy	9315024039
44	Bearing C assy	9306628017
45	Casing assy	9318392067

INDOOR UNIT
 ASYG18KLCA
 ASYG24KLCA

Casing assy



Ref	Description	Part number
51	Casing	9318212013
52	Fan guard	9318646009
53	R and L louver	9318216004
54	Drain hose assy	9316904002
55	Drain cap	9316177017
56	Motor step	9900384258
57	Louver gear	9318226003
58	Gear A	9309994003