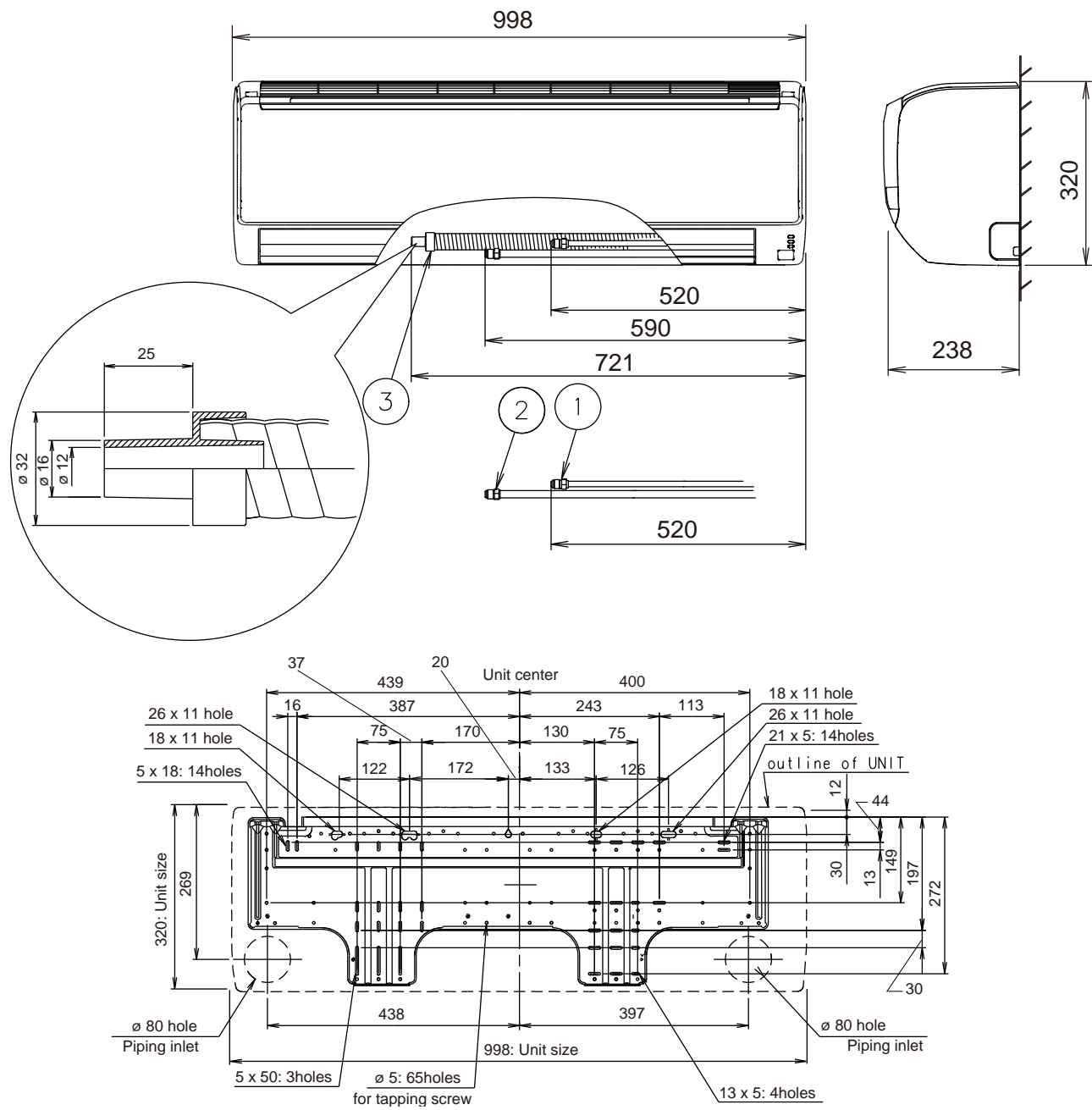


4. DIMENSIONS

■ MODEL: AS*G18LFCA, AS*G24LFCC, AS*G30LFCA

(Unit : mm)



			AS*G18LF	AS*G24LF	AS*G30LF
①	Refrigerant pipe flare connection	Liquid	ø 6.35 mm (1/4 in.)		ø 9.52 mm (3/8 in.)
②		Gas	ø 12.7 mm (1/2 in.)	ø 15.88 mm (5/8 in.)	
③	Drain hose connection	Drain hose	Ø12 (I.D.), Ø16 (O.D.) Drain hose : L=670 mm		

■ INSTALLATION PLACE

(Unit : mm)

