

ASYG24LFCC

Please visit our webstore for full product and technical documentation 

Unit Type	Wall Mounted
Remote Controller	IR Included
Nominal Cooling Capacity (kW)	7.1
Nominal Heating Capacity (kW)	8.0
Height (mm)	320
Width (mm)	998
Depth (mm)	238
Weight (kg)	14
Airflow Rate - Cooling - High (m ³ /h)	1120
Airflow Rate - Heating - High (m ³ /h)	1120
Sound Pressure Level - Cooling - High (dB(A))	49
Sound Pressure Level - Cooling - Low (dB(A))	32
Sound Pressure Level - Heating - High (dB(A))	48
Sound Pressure Level - Heating - Low (dB(A))	32
Sound Power Level - Cooling - High (dB(A))	64
Sound Power Level - Heating - High (dB(A))	64
Moisture Removal (l/h)	2.7
Refrigerant Type (Global Warming Potential)	R410A (2,088)
Liquid Pipe Size	1/4"
Gas Pipe Size	5/8"
Unit Power Supply	From Outdoor Unit



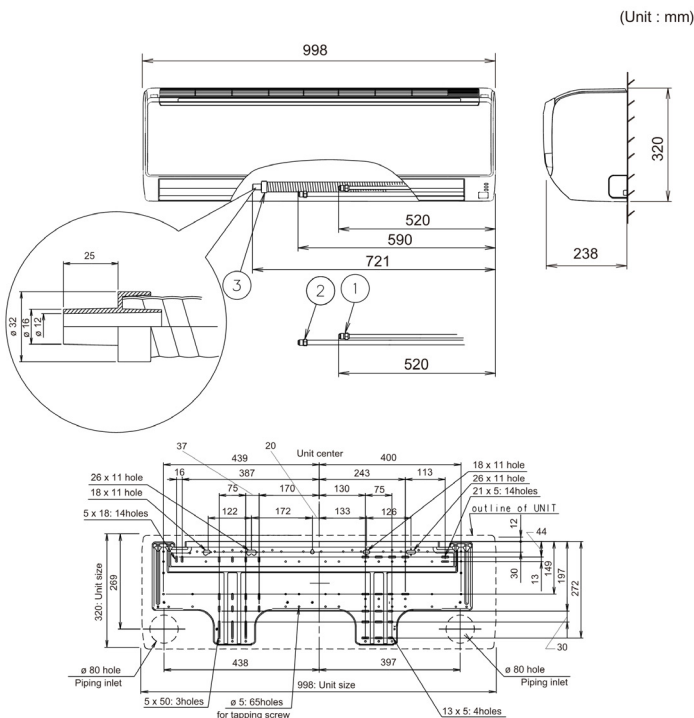
Document Downloads

- [Airflow - Fan Curve](#)
- [Controls & Accessories](#)
- [Dimensional Drawing](#)
- [Electrical Characteristics](#)
- [Function Settings](#)
- [Inputs & Outputs](#)
- [Installation Manual](#)
- [Noise Curve](#)
- [Operation Manual](#)

- [Product Image](#)
- [Spare Parts List All Pages](#)
- [Specifications](#)
- [Wiring Diagram](#)

Related Items

- [AOYG45LBLA6](#) 12.5kW 6 Way Multi Outdoor Unit - R410A 1 Ph



*Specifications and design are subject to change without notice for further improvement.
 *Actual products' colors may be different from the colors shown in this printed material.