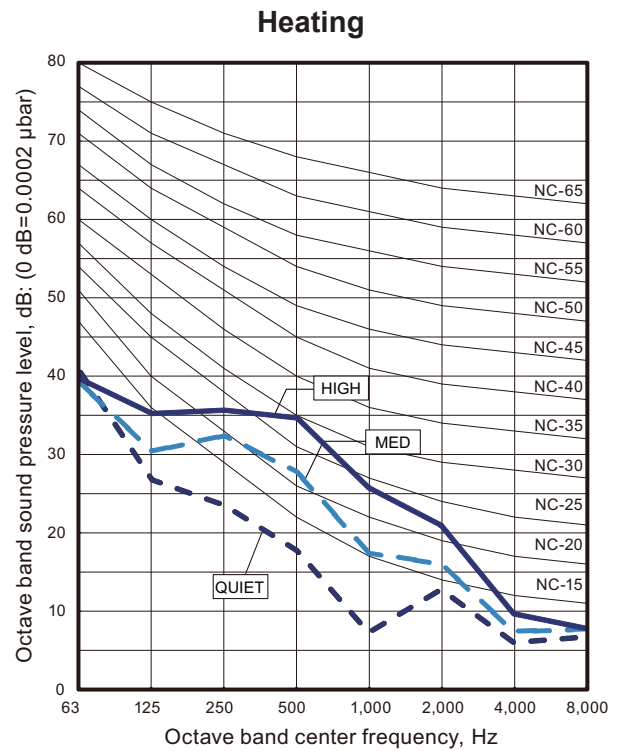
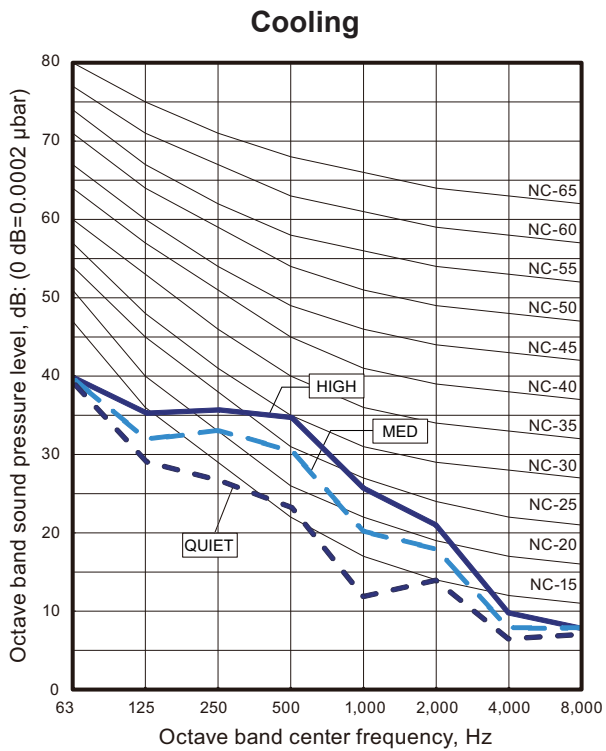


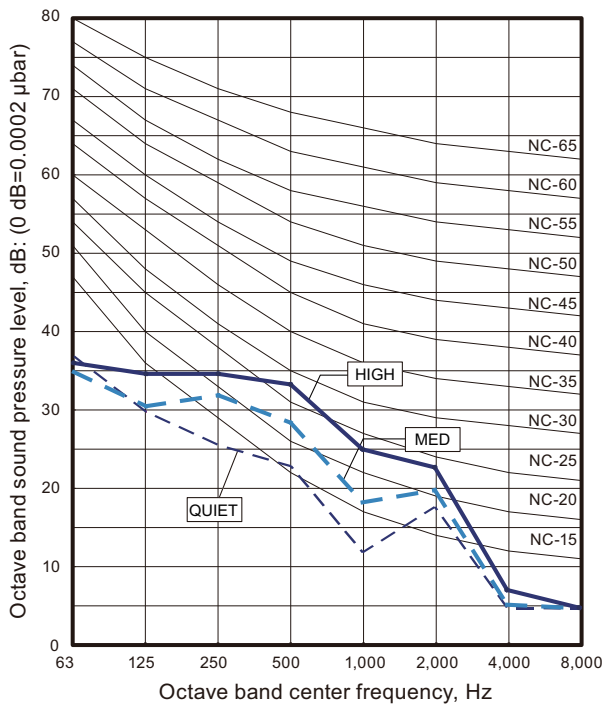
9. Noise level curve

9-1. Compact cassette type

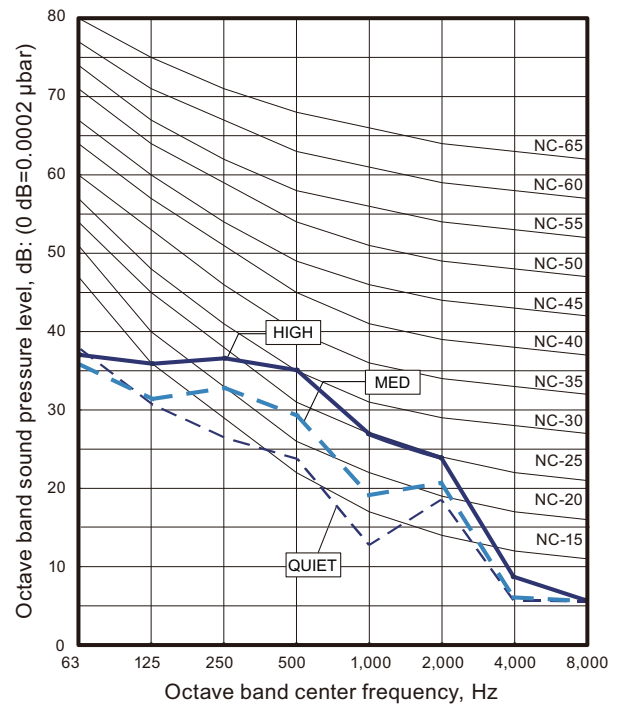
- **Model: AUXB004GLEH**



- **Model: AUXB007GLEH**



- **Model: AUXB009GLEH**

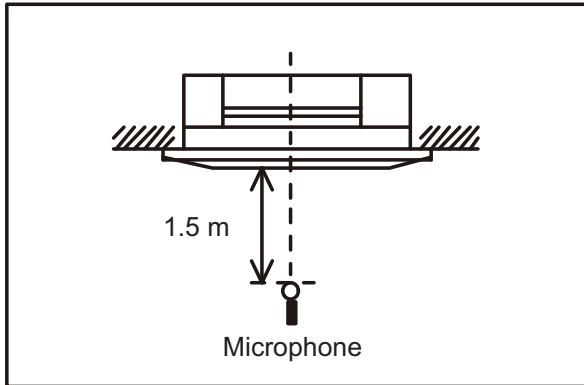


INDOOR UNITS

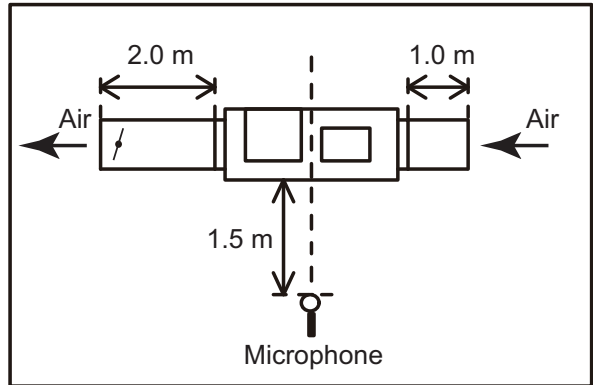
INDOOR UNITS

9-17. Sound level check point

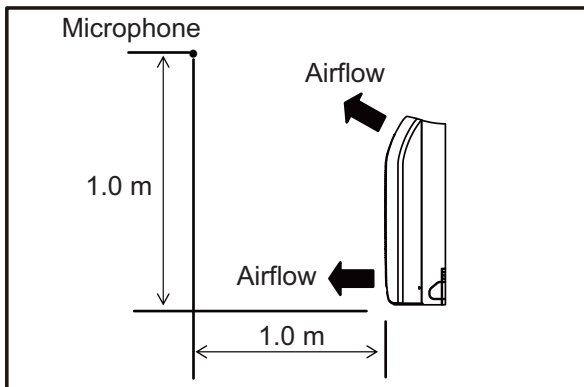
- Compact cassette type
- Circular flow cassette type
- Cassette type



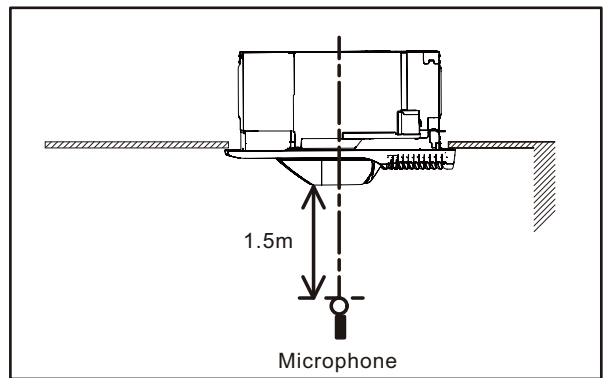
- Low static pressure duct (Mini duct) type
- Low static pressure duct (Slim duct) type
- Medium static pressure duct type
- High static pressure duct type



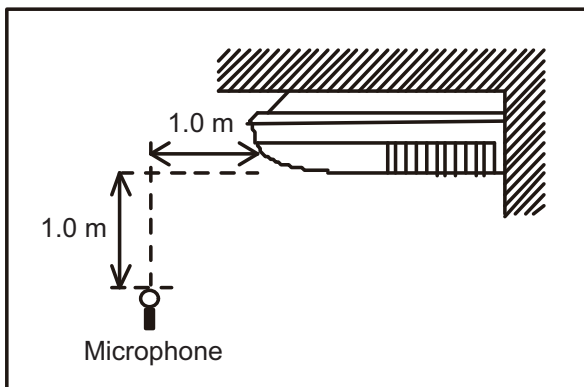
- Compact floor type



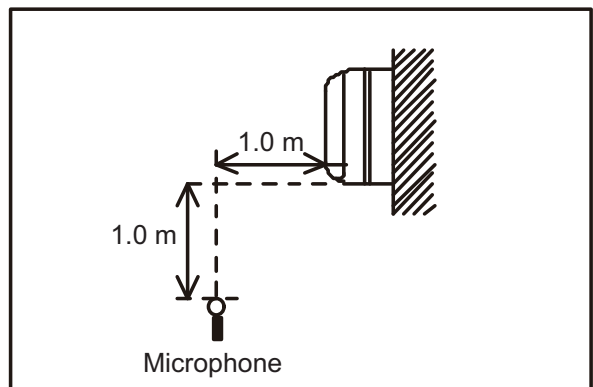
- 3D flow cassette type



- Floor/Ceiling type
- Ceiling type



- Wall mounted type



INDOOR
UNITS

INDOOR
UNITS