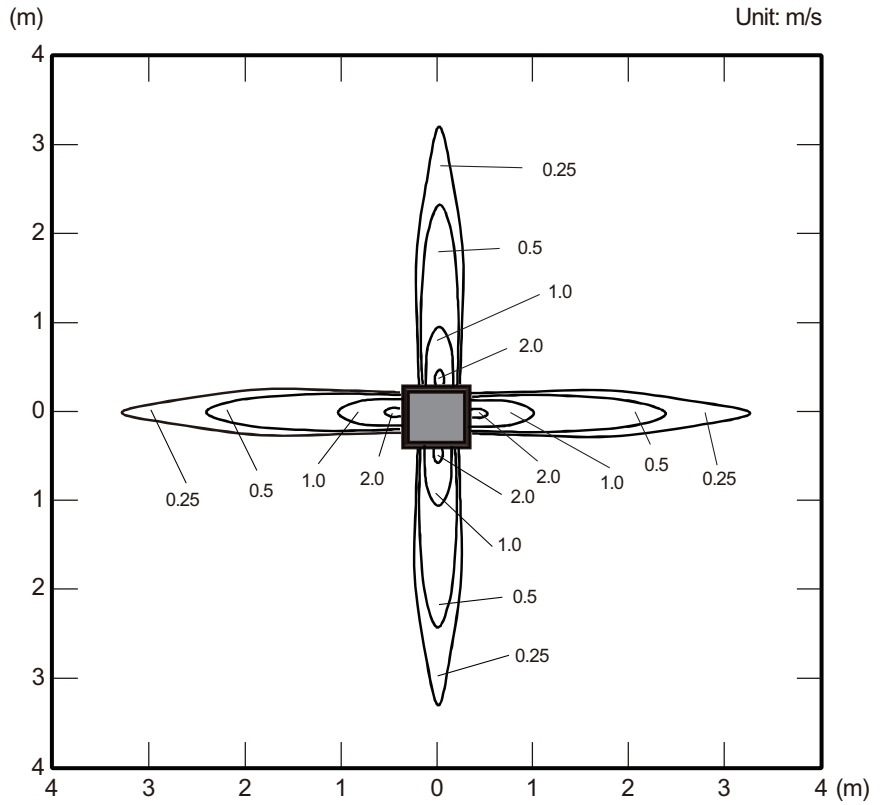


Model: AUXB007GLEH

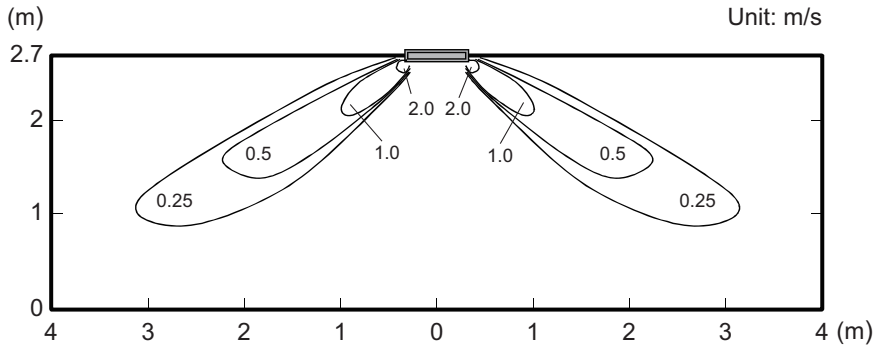
Measuring conditions	Fan speed	Operation mode
	HIGH	FAN

• Air velocity distribution

Top view
Vertical airflow direction louver: Up

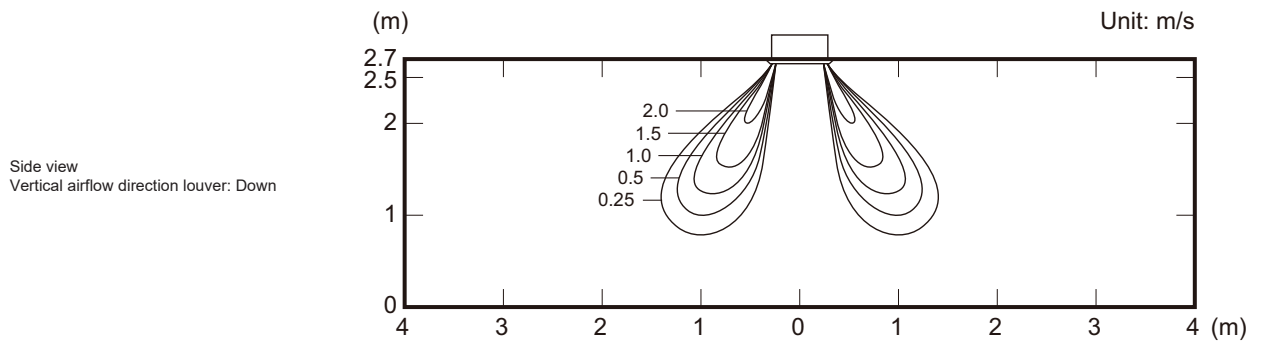


Side view
Vertical airflow direction louver: Up

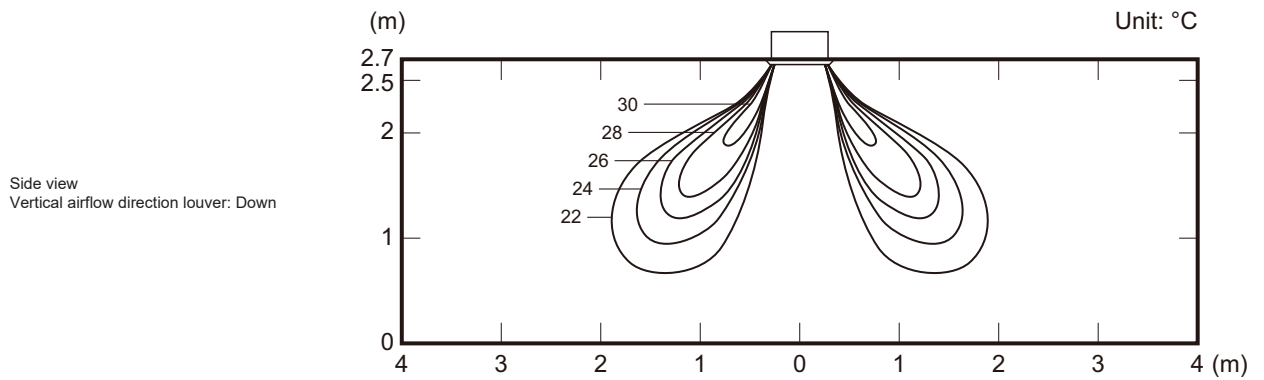


Measuring conditions	Fan speed	Operation mode
NOTE: Reference data	HIGH	HEAT

• Air velocity distribution



• Air temperature distribution



INDOOR
UNITS

INDOOR
UNITS