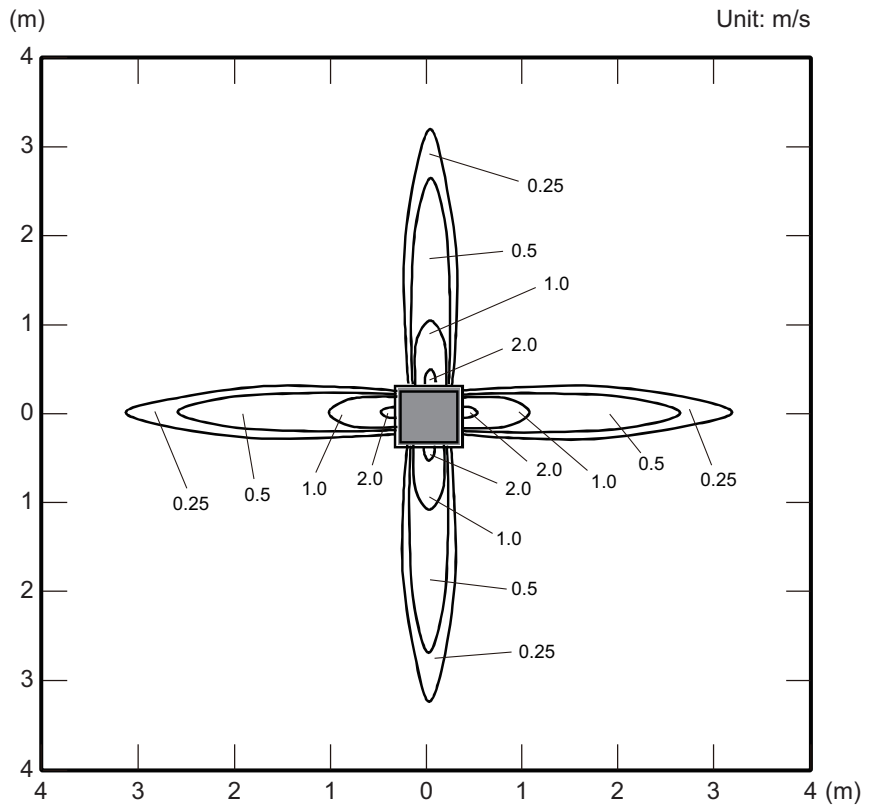


# Model: AUXB009GLEH

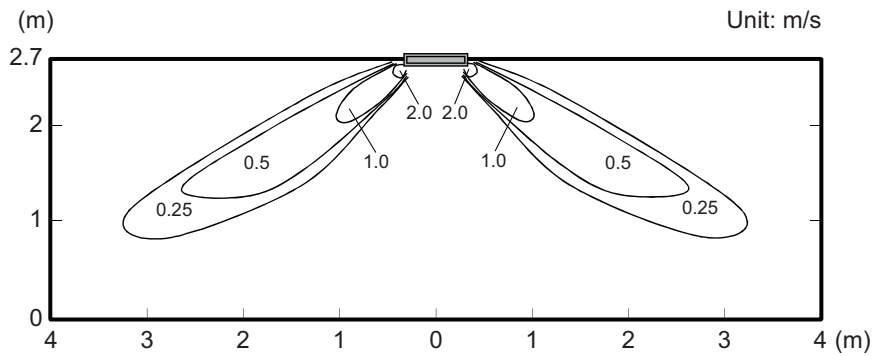
Measuring conditions	Fan speed	Operation mode
	HIGH	FAN

• Air velocity distribution

Top view  
Vertical airflow direction louver: Up



Side view  
Vertical airflow direction louver: Up

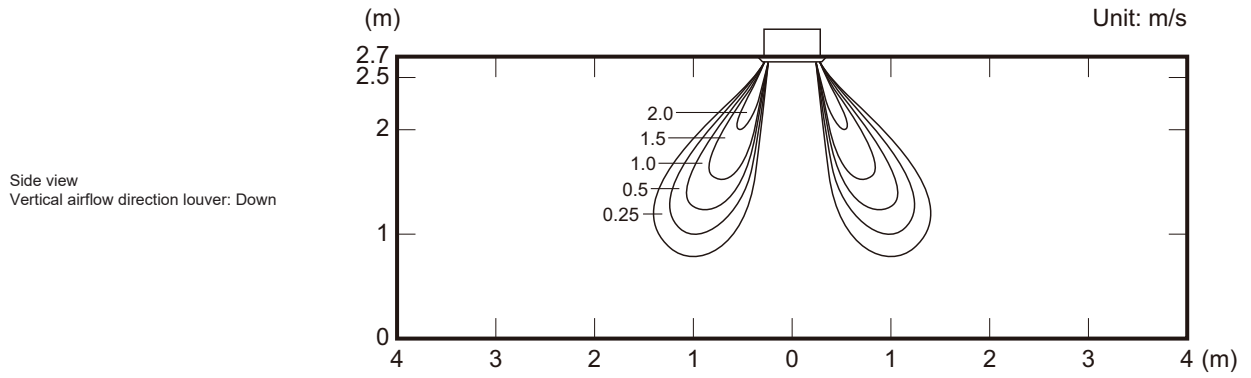


INDOOR UNITS

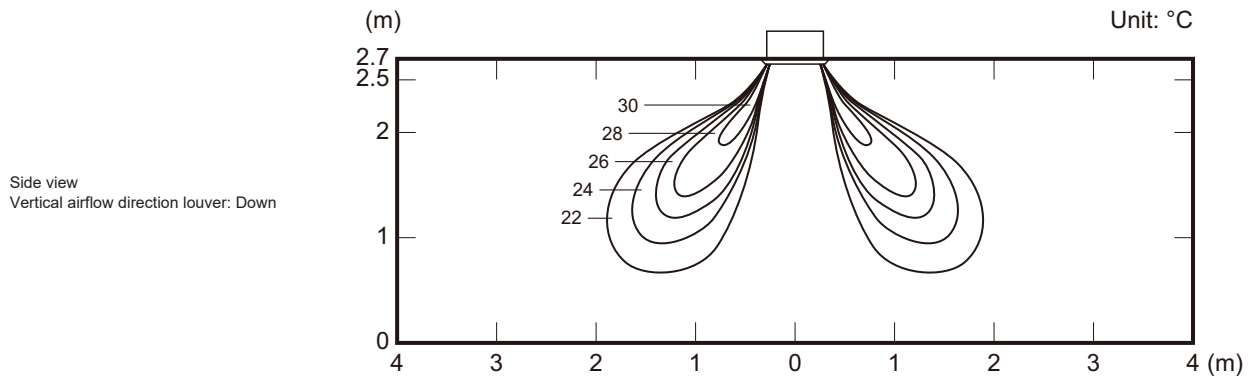
INDOOR UNITS

Measuring conditions	Fan speed	Operation mode
NOTE: Reference data	HIGH	HEAT

• Air velocity distribution



• Air temperature distribution



INDOOR  
UNITS

INDOOR  
UNITS