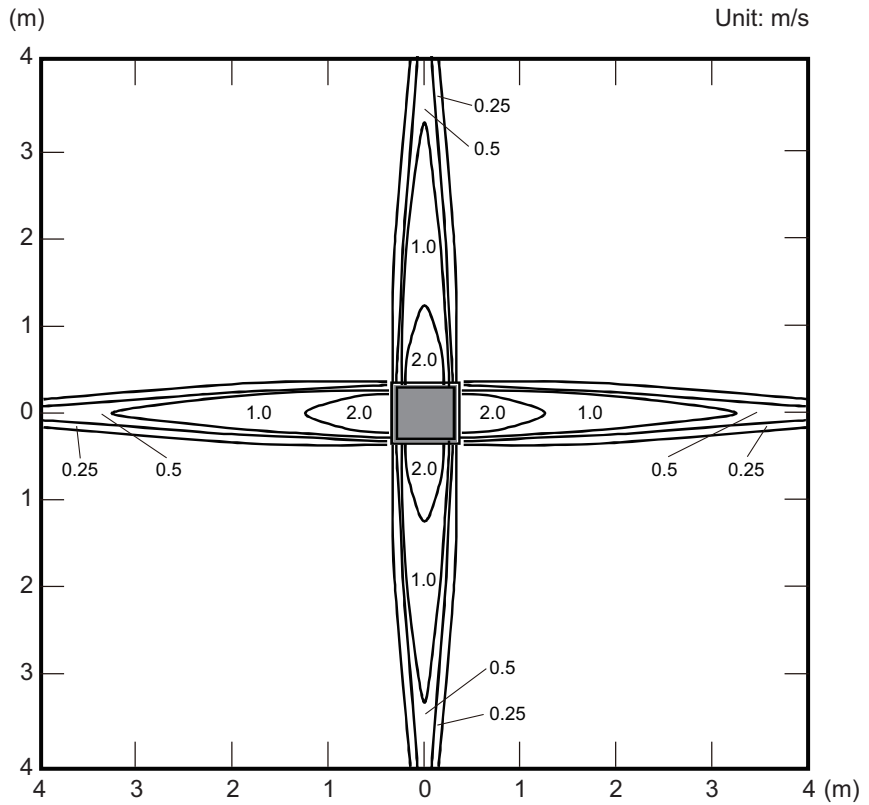


Model: AUXB024GLEH

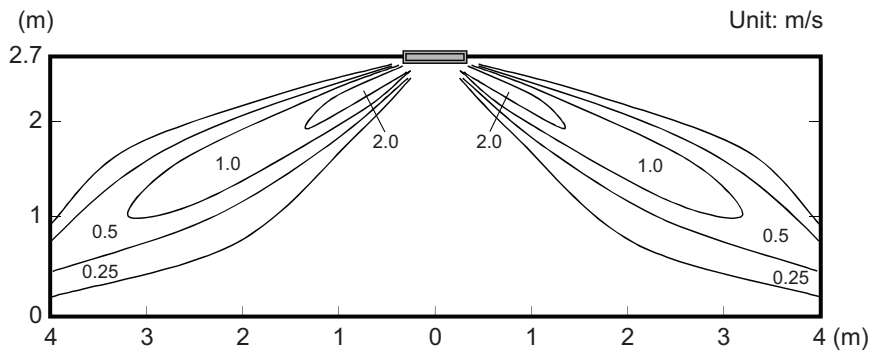
Measuring conditions	Fan speed	Operation mode
	HIGH	FAN

• Air velocity distribution

Top view
Vertical airflow direction louver: Up

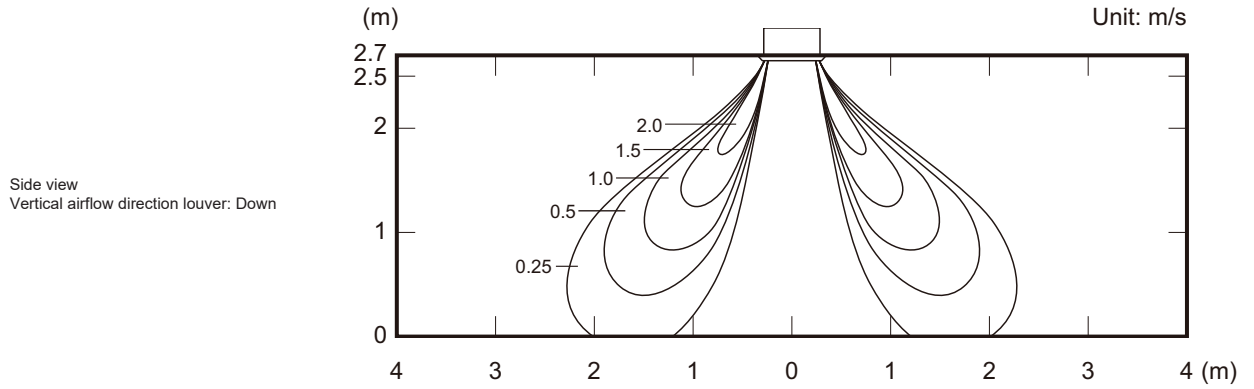


Side view
Vertical airflow direction louver: Up

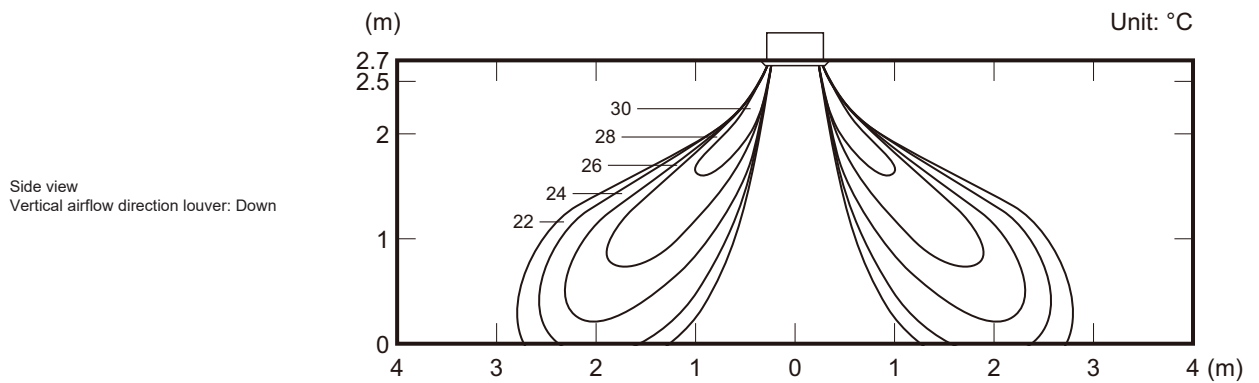


Measuring conditions NOTE: Reference data	Fan speed HIGH	Operation mode HEAT
--	-------------------	------------------------

• Air velocity distribution



• Air temperature distribution



INDOOR
UNITS

INDOOR
UNITS