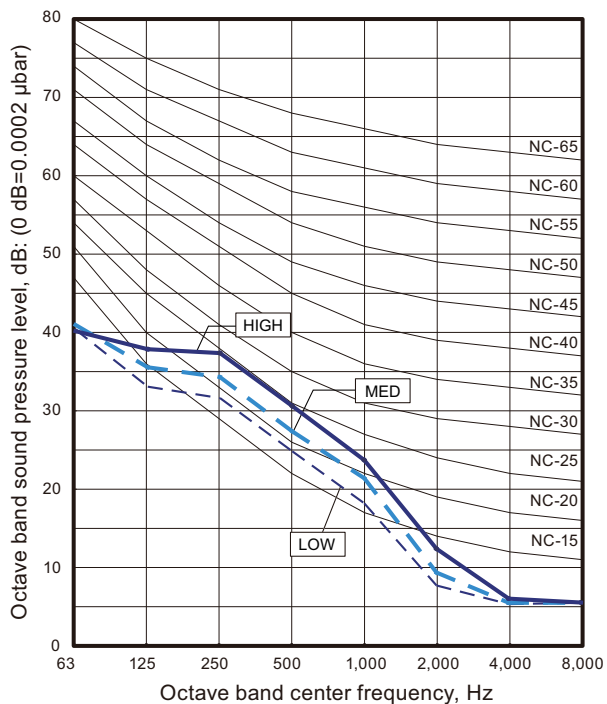
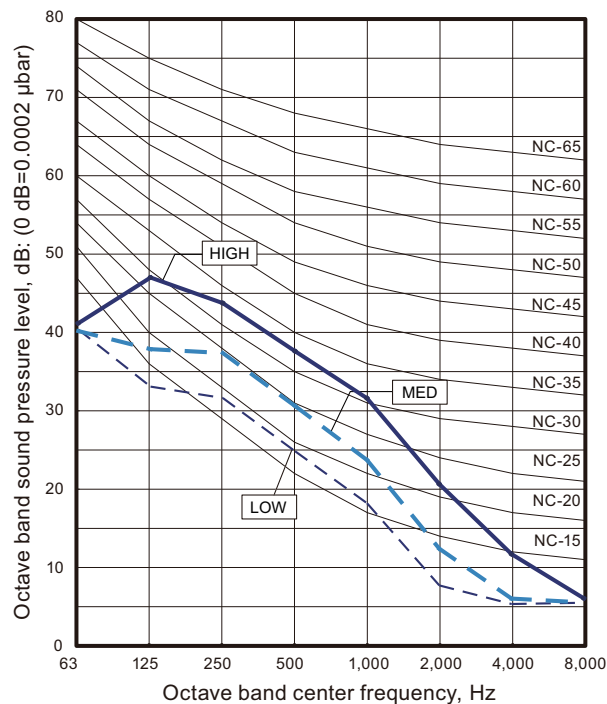


9-2. 4-way flow cassette type

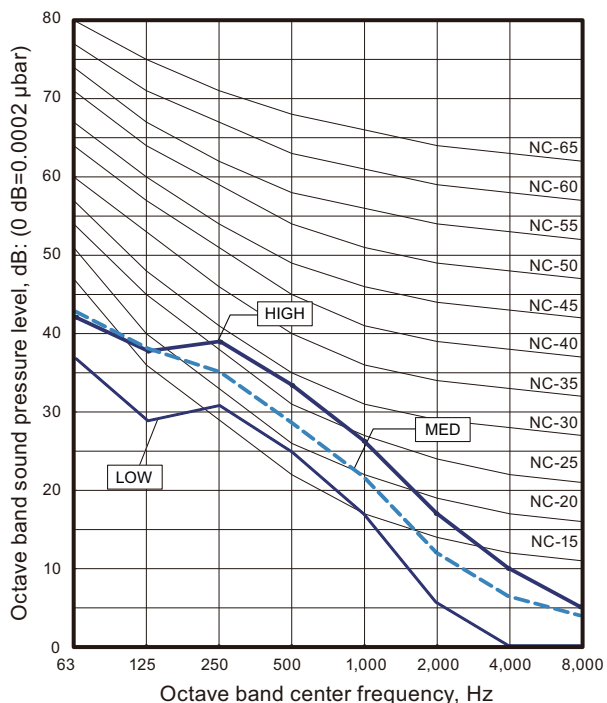
- **Model: AUXD18GALH**



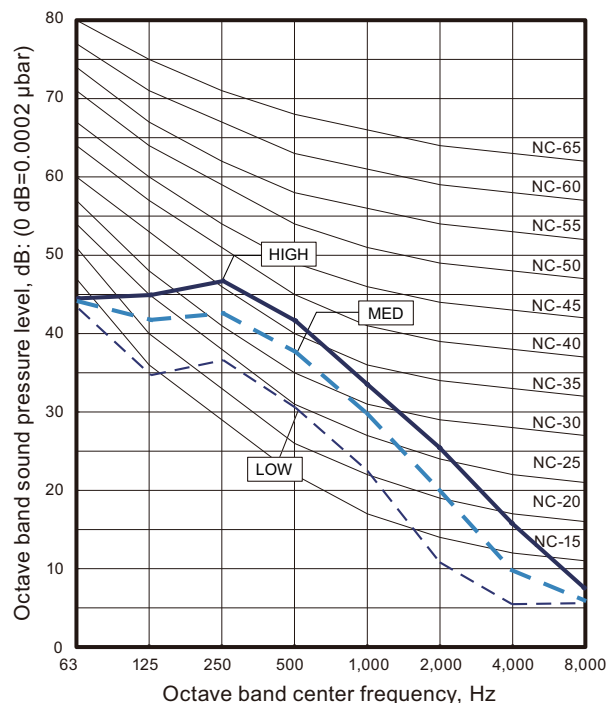
- **Model: AUXD24GALH**



- **Models: AUXA18GALH and AUXA24GALH**



- **Model: AUXA30GALH**



INDOOR
UNITS

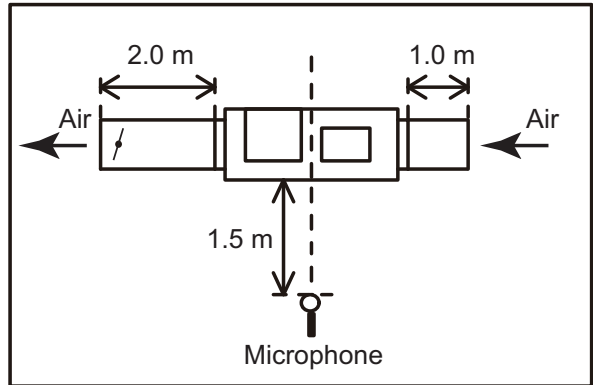
INDOOR
UNITS

9-17. Sound level check point

- Compact cassette type
- Circular flow cassette type
- Cassette type



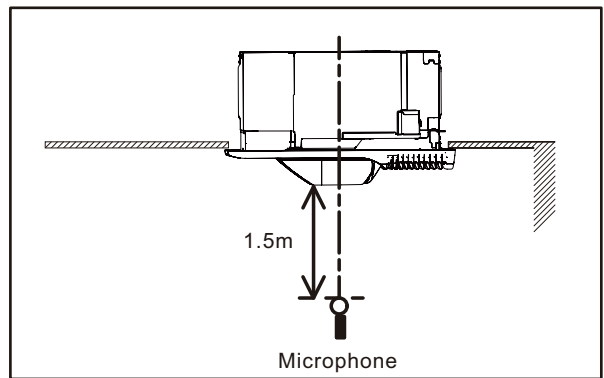
- Low static pressure duct (Mini duct) type
- Low static pressure duct (Slim duct) type
- Medium static pressure duct type
- High static pressure duct type



- Compact floor type



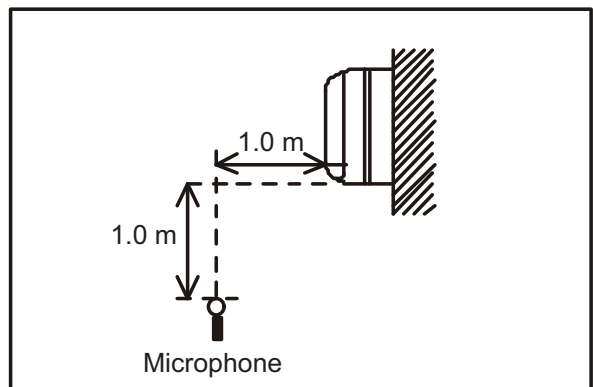
- 3D flow cassette type



- Floor/Ceiling type
- Ceiling type



- Wall mounted type



INDOOR
UNITS

INDOOR
UNITS