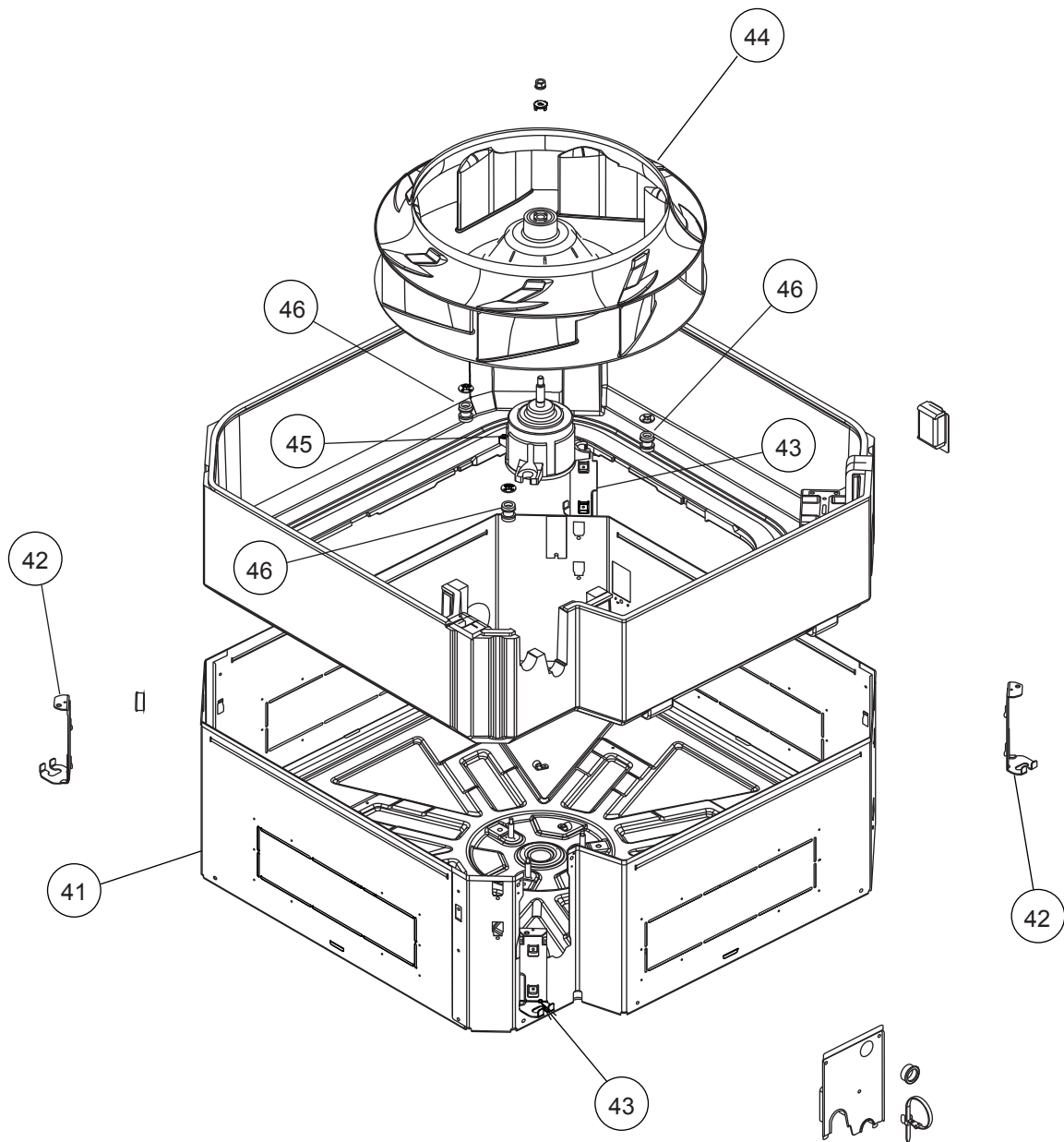
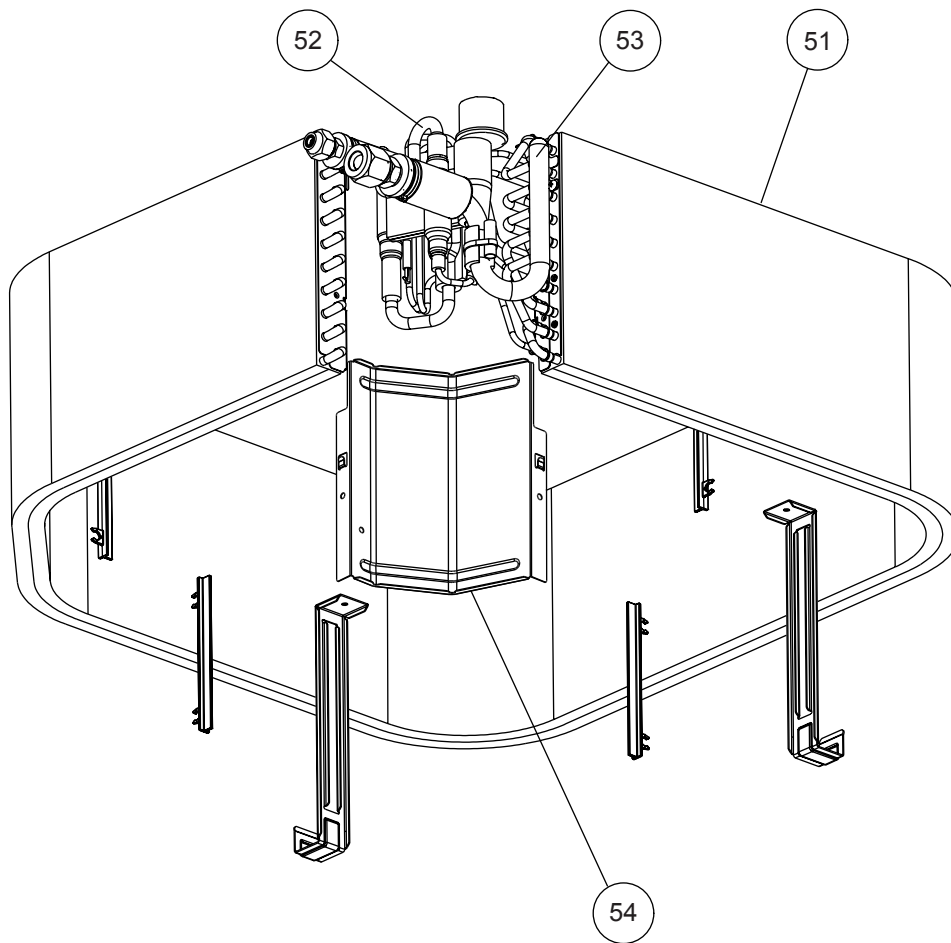


**MODELS : AUXD18/ 24GALH**



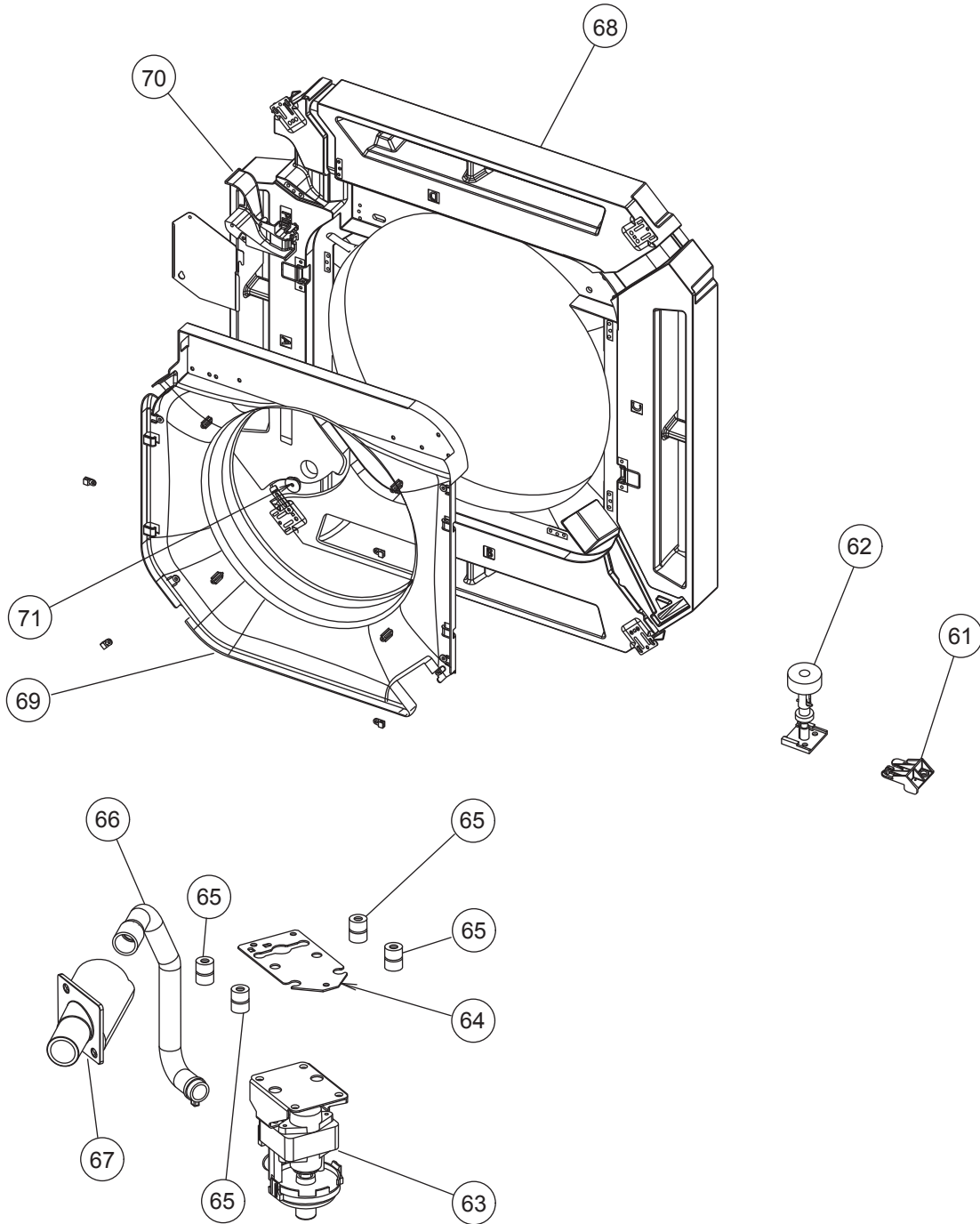
Ref No.	Description	Parts No.			Q'ty
		AUXD18GALH	AUXD24GALH		
41	Cabinet C	9378196025	9378196025		
42	Hook R	9378197015	9378197015		
43	Hook L	9378198012	9378198012		
44	Turbo Fan Assy	9378228016	9378228016		
45	Motor, DC Brushless	9602716005	9602716005		
46	Rubber (Motor)	9378223011	9378223011		

**MODELS : AUXD18/ 24GALH**



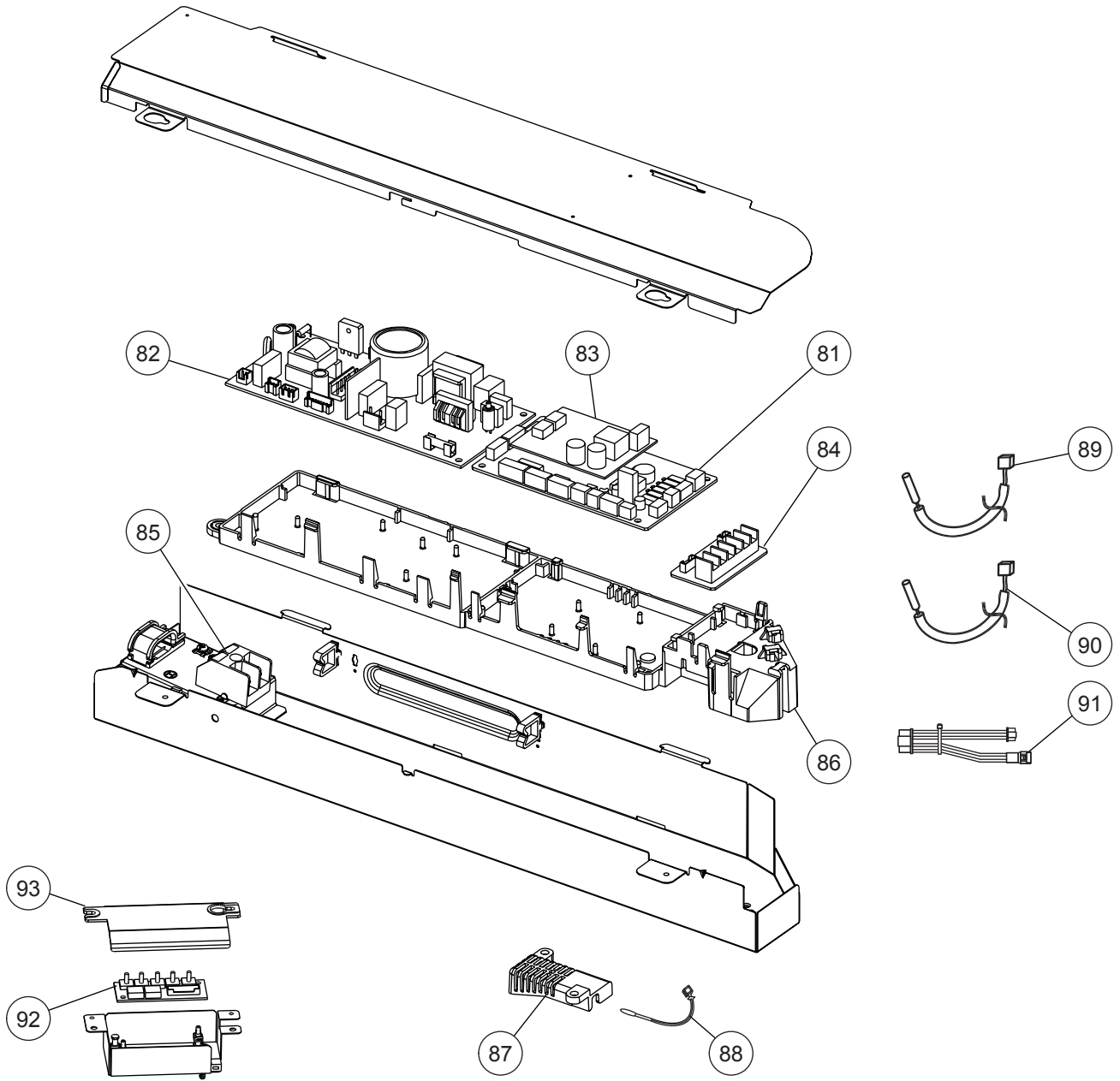
Ref No.	Description	Parts No.			Q'ty
		AUXD18GALH	AUXD24GALH		
51	EVAPORATOR TOTAL ASSY	9378580046	9378580046		
52	DISTRIBUTOR ASSY	9371325545	9371325545		
53	COUPLING PIPE ASSY	9373038610	9373038610		
54	SEPARATE WALL	9379370004	9379370004		

**MODELS : AUXD18/ 24GALH**



Ref No.	Description	Parts No.		Q'ty
		AUXD18GALH	AUXD24GALH	
61	Sensor Holder	9378329010	9378329010	
62	Float Switch	9900465018	9900465018	
63	Pump Assy	9900464011	9900464011	
64	Drain Pump Holder B	9375518011	9375518011	
65	Rubber (Pump)	9378426016	9378426016	
66	Drain Hose	9378212015	9378212015	
67	Drain Port	9378213012	9378213012	
68	Drain Pan Sub Assy	9378583023	9378583023	
69	Bell Mouth	9378227026	9378227026	
70	Terminal Wire Cover	9378548015	9378548015	
71	Drain Cap	9375502010	9375502010	
	Drain Hose	9379665001	9379665001	
	Drain Pan Hook	9378331013	9378331013	

**MODELS : AUXD18/ 24GALH**



Ref No.	Description	Parts No.			Q'ty
		AUXD18GALH	AUXD24GALH		
81	CONTROLLER PCB	9708970035	9708970035		
82	POWER SUPPLY PCB	9708975016	9708975016		
83	COMMUNICATION PCB	9709373019	9709373019		
84	TERMINAL PCB	9707736014	9707736014		
85	TERMINAL 2P	9703873027	9703873027		
86	PWB HOLDER	9380762003	9380762003		
87	HOLDER(ROOM THERMISTOR)	9379207003	9379207003		
88	THERMISTOR(ROOM)	9900533007	9900533007		
89	PIPE THERMISTOR (INLET)	9900509040	9900509040		
90	THERMISTOR(PIPE) (EXIT)	9900498061	9900498061		
91	THERMISTOR CONNECTION WIRE	9707854015	9707854015		
92	SWITCH PCB	9707732016	9707732016		
93	SWITCH BOX COVER	9378344013	9378344013		