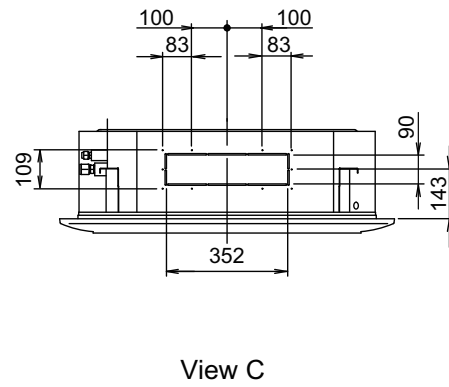
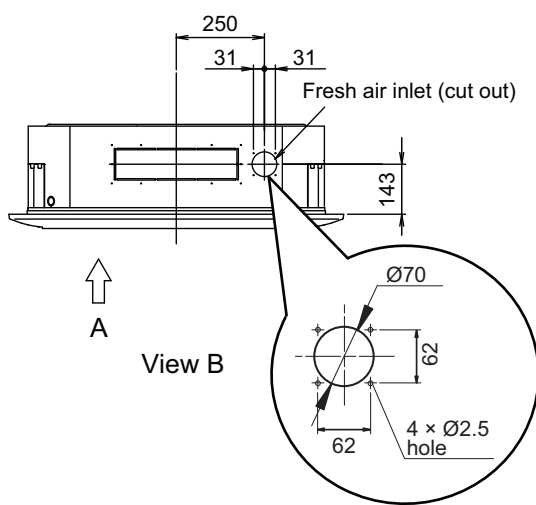
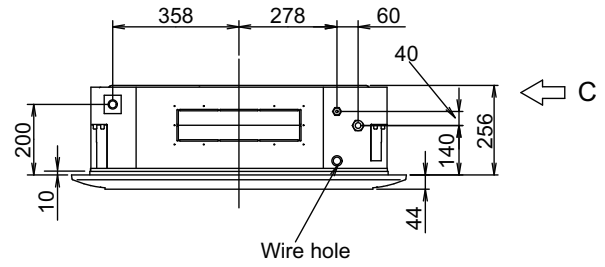
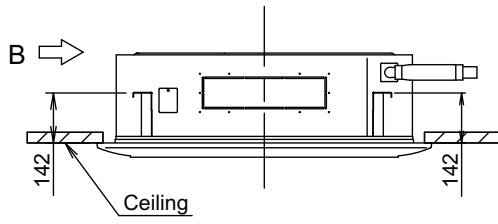
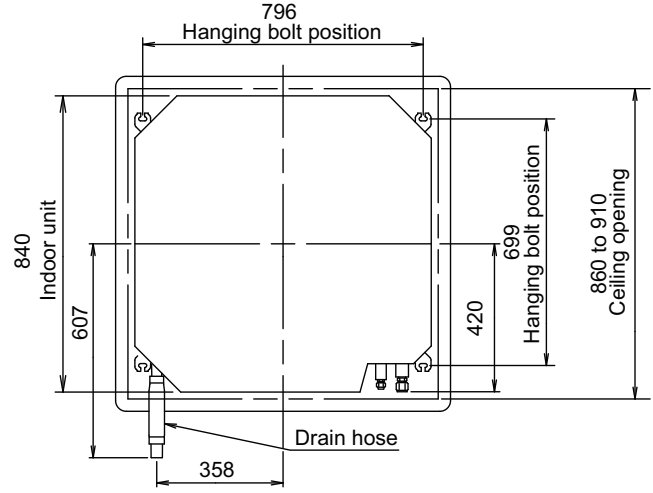
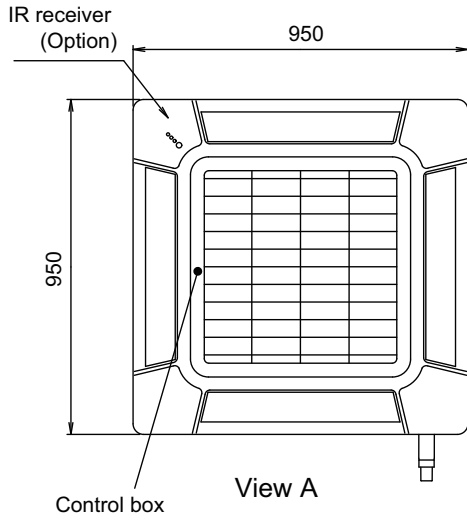


4-2. 4-way flow cassette type

■ Models: AUXD18GALH and AUXD24GALH

Unit: mm

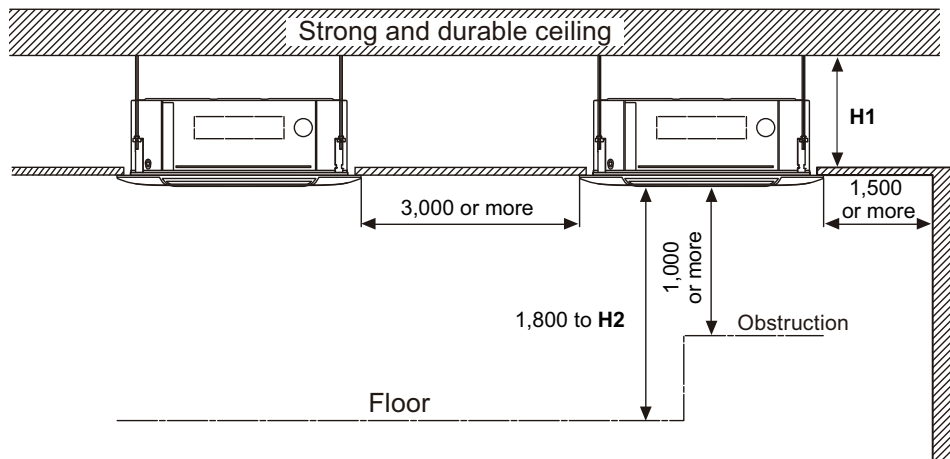


INDOOR
UNITS

INDOOR
UNITS

■ Installation space requirement

Unit: mm



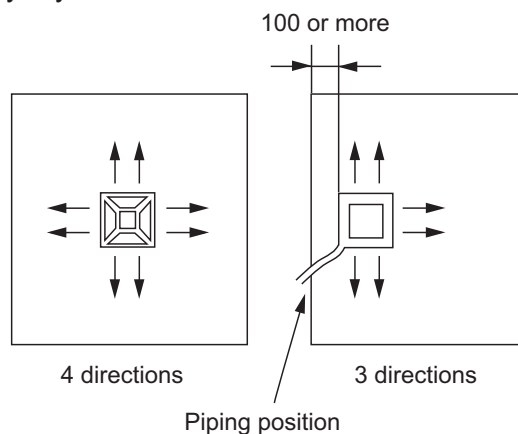
Model name	H1: Attic height (mm)
AUXD18GALH, AUXD24GALH	256 or more
AUXA18GALH, AUXA24GALH, AUXA30GALH, AUXA34GALH, AUXA36GALH, AUXA45GALH, AUXA54GALH	298 or more

Be sure to make function setting with the remote controller according to the installed ceiling height.

H2: The maximum height from floor to ceiling (mm)			
Ceiling height	Model name		
	AUXD18GALH, AUXD24GALH	AUXA18GALH, AUXA24GALH, AUXA30GALH, AUXA34GALH	AUXA36GALH, AUXA45GALH, AUXA54GALH
Standard	3,000	3,200	
High ceiling	3,500	3,600	4,200

● Installation notices

- When installing the indoor unit, be careful about the maintenance space.
- To set “3-direction”, Air outlet shutter plate (option) must be installed, and the “outlet-direction” need to be switched to “3-way” by the remote controller.



- In 3-way outlet mode, changing of ceiling height setting by function setting 20 is prohibited. (Ceiling height setting [function setting 20] is allowed to be changed only in 4-way outlet mode.)
- Use the Insulation kit for high humidity (option), when the condition under the roof is over 80% in humidity and over 30°C in temperature. Otherwise, there is a risk of condensation on the ceiling.