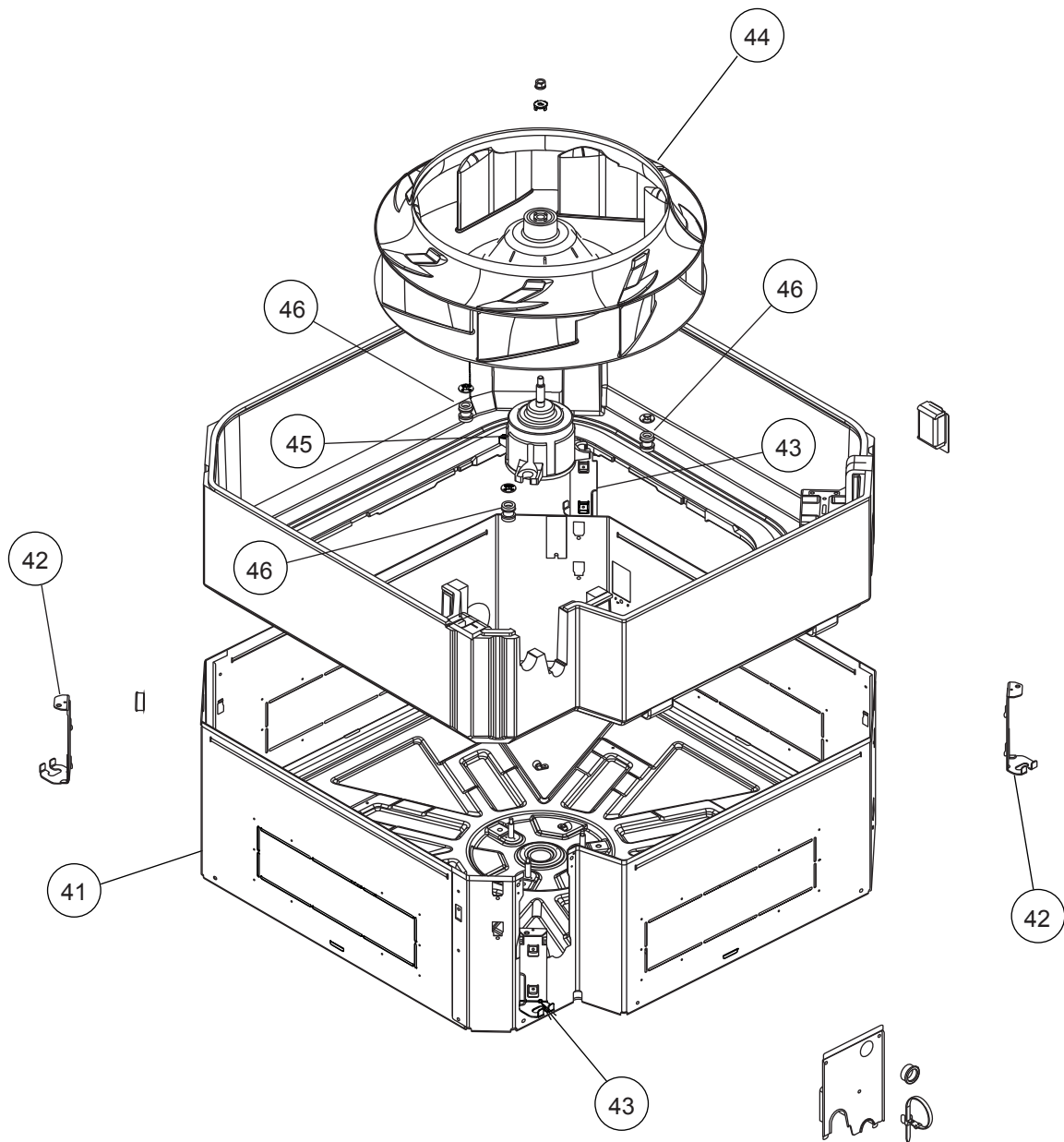
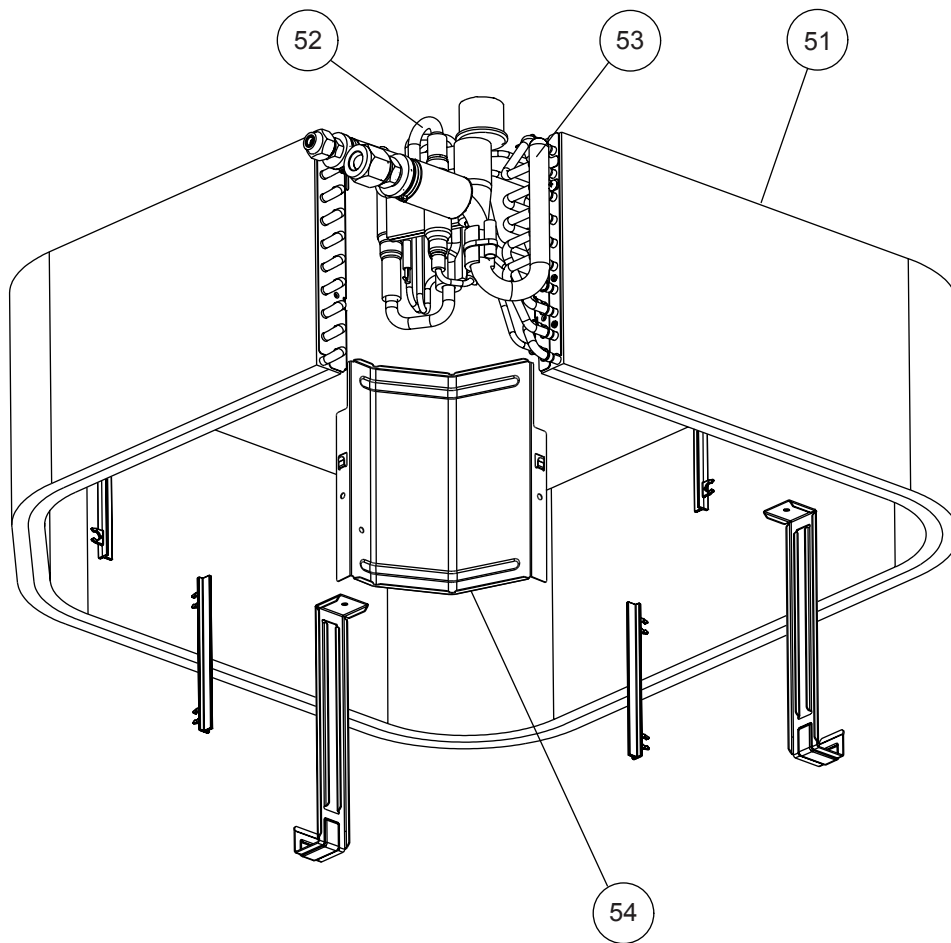


**MODELS : AUXD18/ 24GALH**



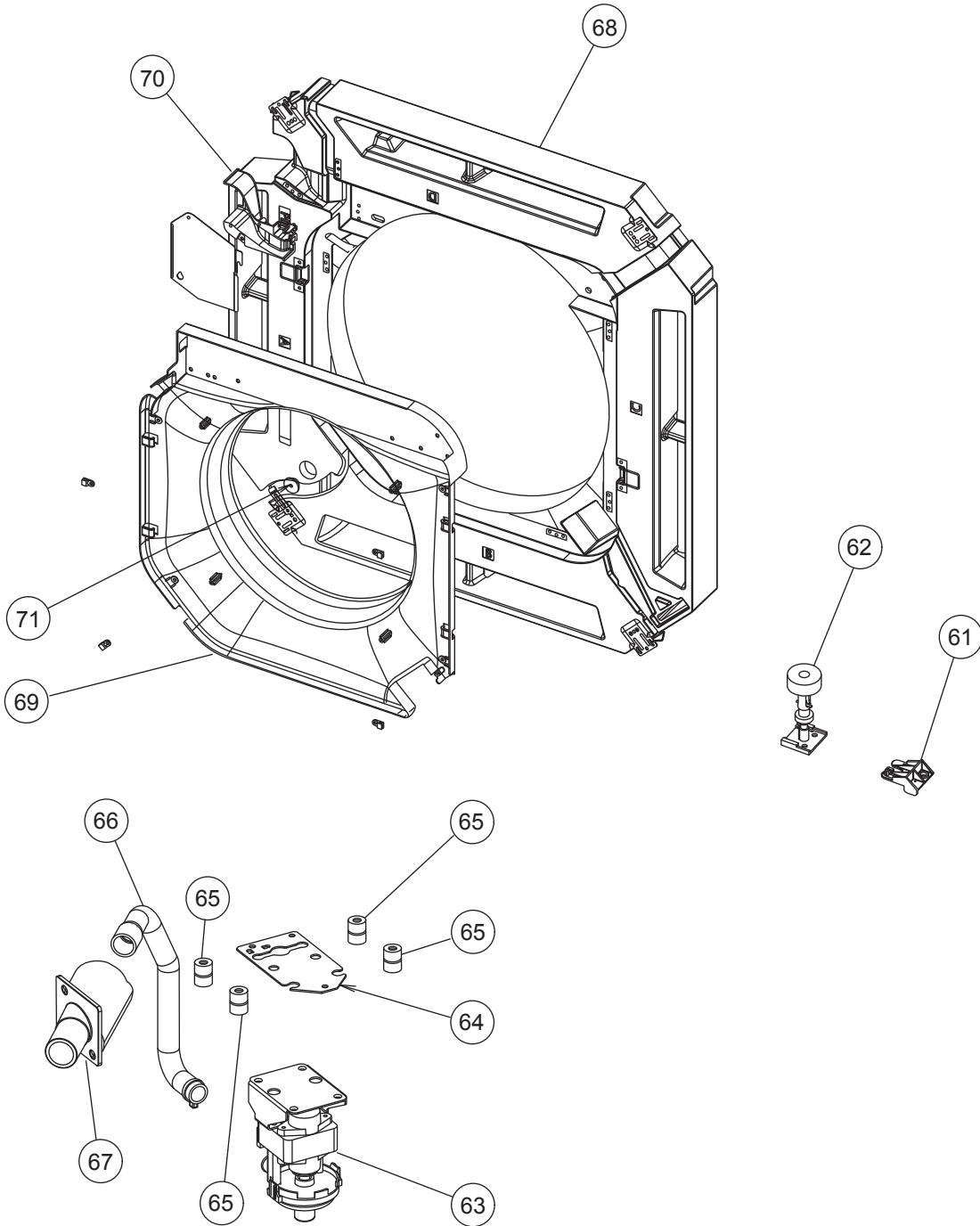
| Ref No. | Description         | Parts No.  |            |  | Q'ty |
|---------|---------------------|------------|------------|--|------|
|         |                     | AUXD18GALH | AUXD24GALH |  |      |
| 41      | Cabinet C           | 9378196025 | 9378196025 |  |      |
| 42      | Hook R              | 9378197015 | 9378197015 |  |      |
| 43      | Hook L              | 9378198012 | 9378198012 |  |      |
| 44      | Turbo Fan Assy      | 9378228016 | 9378228016 |  |      |
| 45      | Motor, DC Brushless | 9602716005 | 9602716005 |  |      |
| 46      | Rubber (Motor)      | 9378223011 | 9378223011 |  |      |

**MODELS : AUXD18/ 24GALH**



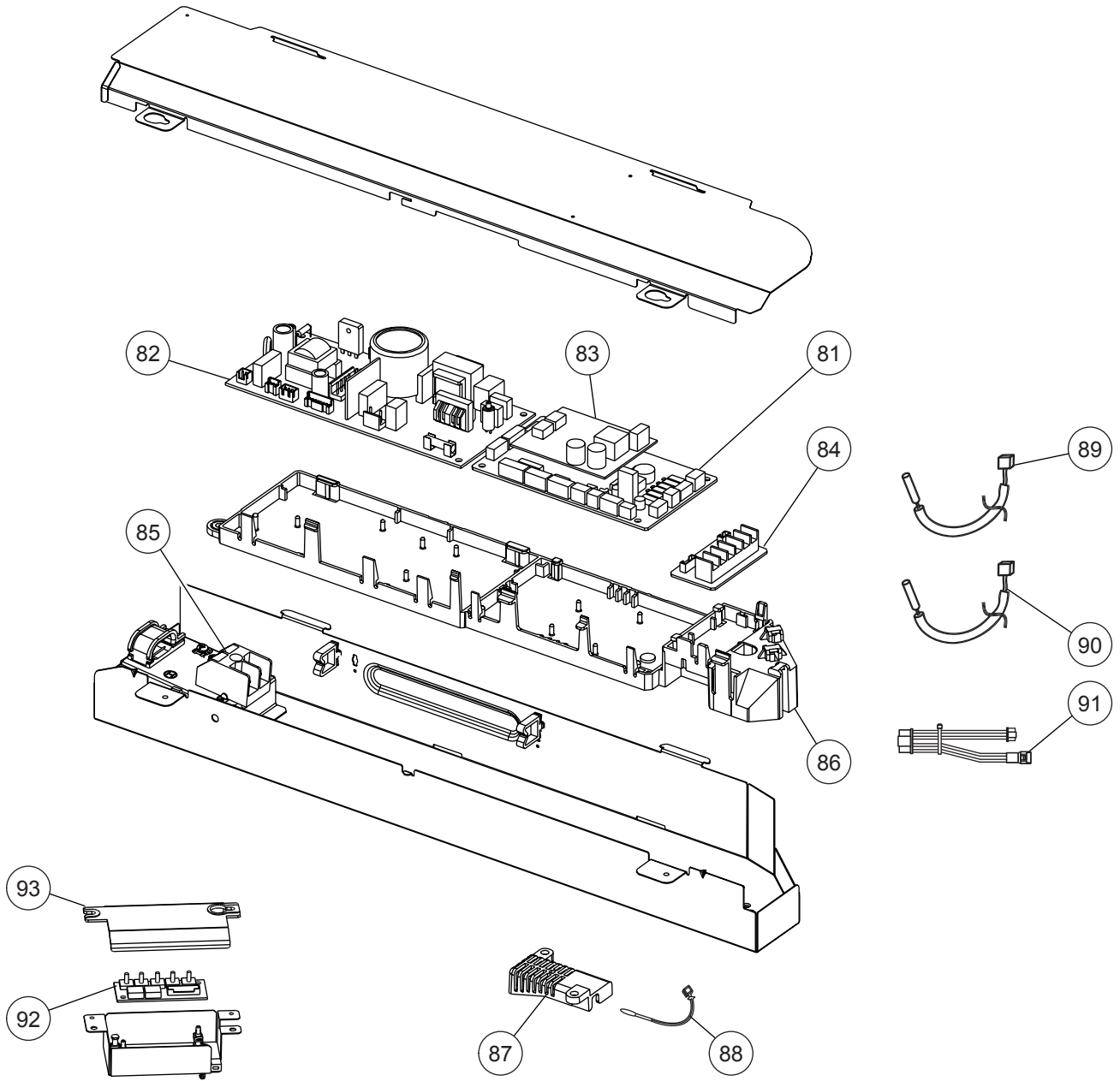
| Ref No. | Description           | Parts No.  |            |  | Q'ty |
|---------|-----------------------|------------|------------|--|------|
|         |                       | AUXD18GALH | AUXD24GALH |  |      |
| 51      | EVAPORATOR TOTAL ASSY | 9378580046 | 9378580046 |  |      |
| 52      | DISTRIBUTOR ASSY      | 9371325545 | 9371325545 |  |      |
| 53      | COUPLING PIPE ASSY    | 9373038610 | 9373038610 |  |      |
| 54      | SEPARATE WALL         | 9379370004 | 9379370004 |  |      |

**MODELS : AUXD18/ 24GALH**



| Ref No. | Description         | Parts No.  |            | Q'ty |
|---------|---------------------|------------|------------|------|
|         |                     | AUXD18GALH | AUXD24GALH |      |
| 61      | Sensor Holder       | 9378329010 | 9378329010 |      |
| 62      | Float Switch        | 9900465018 | 9900465018 |      |
| 63      | Pump Assy           | 9900464011 | 9900464011 |      |
| 64      | Drain Pump Holder B | 9375518011 | 9375518011 |      |
| 65      | Rubber (Pump)       | 9378426016 | 9378426016 |      |
| 66      | Drain Hose          | 9378212015 | 9378212015 |      |
| 67      | Drain Port          | 9378213012 | 9378213012 |      |
| 68      | Drain Pan Sub Assy  | 9378583023 | 9378583023 |      |
| 69      | Bell Mouth          | 9378227026 | 9378227026 |      |
| 70      | Terminal Wire Cover | 9378548015 | 9378548015 |      |
| 71      | Drain Cap           | 9375502010 | 9375502010 |      |
|         | Drain Hose          | 9379665001 | 9379665001 |      |
|         | Drain Pan Hook      | 9378331013 | 9378331013 |      |

**MODELS : AUXD18/ 24GALH**



| Ref No. | Description                | Parts No.  |            |  | Q'ty |
|---------|----------------------------|------------|------------|--|------|
|         |                            | AUXD18GALH | AUXD24GALH |  |      |
| 81      | CONTROLLER PCB             | 9708970035 | 9708970035 |  |      |
| 82      | POWER SUPPLY PCB           | 9708975016 | 9708975016 |  |      |
| 83      | COMMUNICATION PCB          | 9709373019 | 9709373019 |  |      |
| 84      | TERMINAL PCB               | 9707736014 | 9707736014 |  |      |
| 85      | TERMINAL 2P                | 9703873027 | 9703873027 |  |      |
| 86      | PWB HOLDER                 | 9380762003 | 9380762003 |  |      |
| 87      | HOLDER(ROOM THERMISTOR)    | 9379207003 | 9379207003 |  |      |
| 88      | THERMISTOR(ROOM)           | 9900533007 | 9900533007 |  |      |
| 89      | PIPE THERMISTOR (INLET)    | 9900509040 | 9900509040 |  |      |
| 90      | THERMISTOR(PIPE) (EXIT)    | 9900498061 | 9900498061 |  |      |
| 91      | THERMISTOR CONNECTION WIRE | 9707854015 | 9707854015 |  |      |
| 92      | SWITCH PCB                 | 9707732016 | 9707732016 |  |      |
| 93      | SWITCH BOX COVER           | 9378344013 | 9378344013 |  |      |