

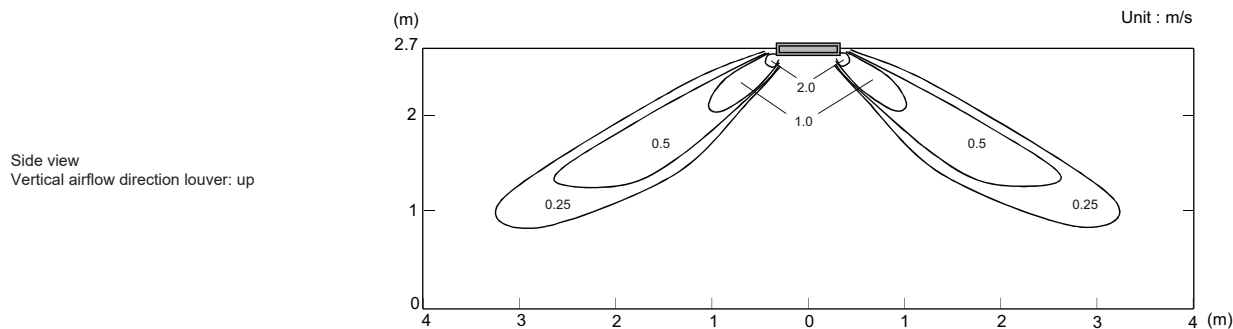
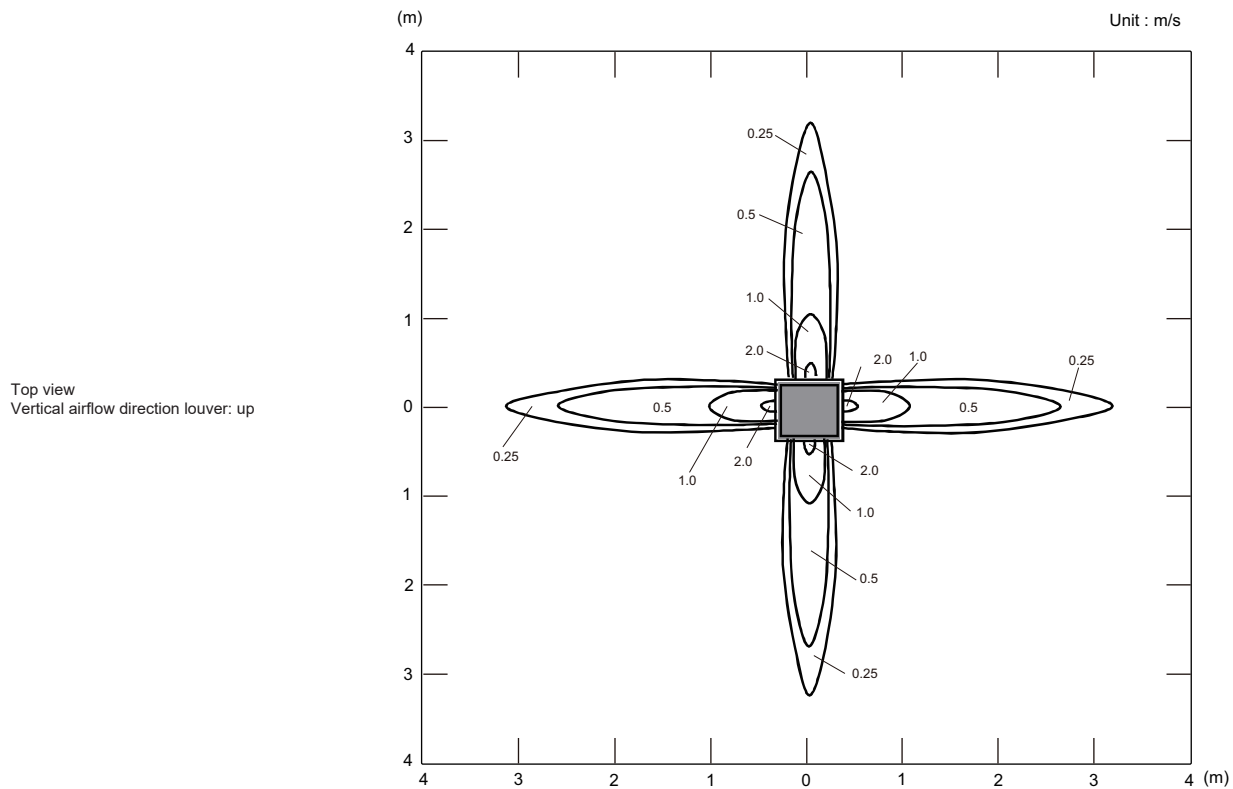
# 5. Air velocity and temperature distributions

## 5-1. Compact cassette type

### ■ Models: AUXG07KVLA and AUXG09KVLA

- Air velocity distribution

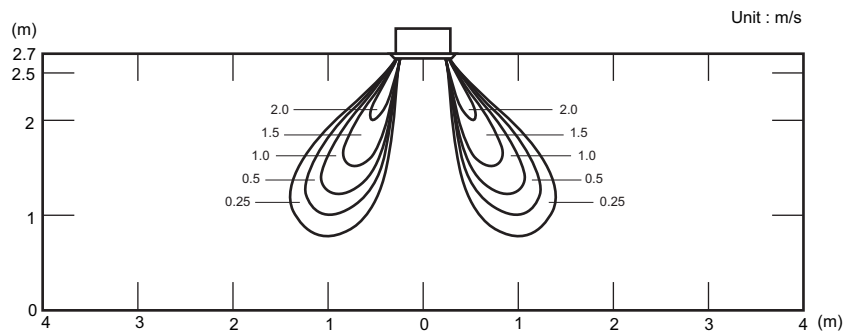
Measuring conditions	Fan speed	Operation mode
	HIGH	FAN



• Air velocity distribution

Measuring conditions	Fan speed	Operation mode	Outlet directions
<b>NOTE:</b> Reference data	HIGH	HEAT	4-way air outlet

Side view  
Vertical airflow direction louver: down



• Air temperature distribution

Measuring conditions	Fan speed	Operation mode	Outlet directions
<b>NOTE:</b> Reference data	HIGH	HEAT	4-way air outlet

Side view  
Vertical airflow direction louver: down

