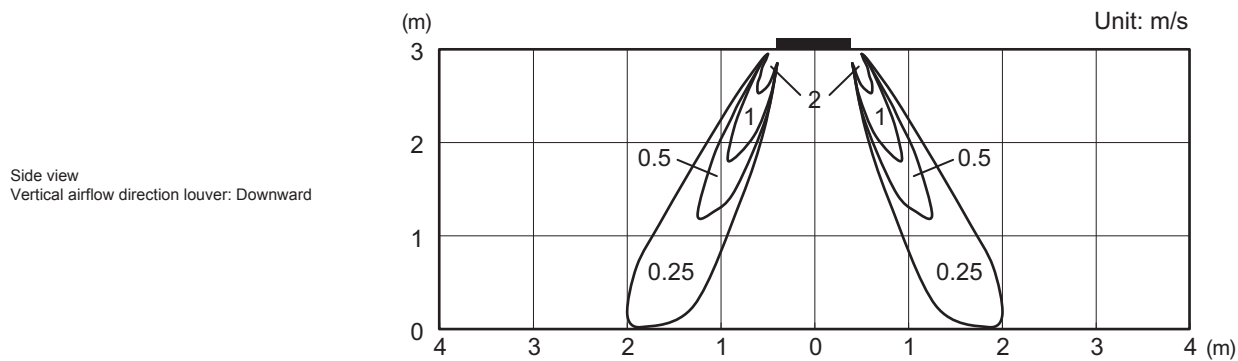
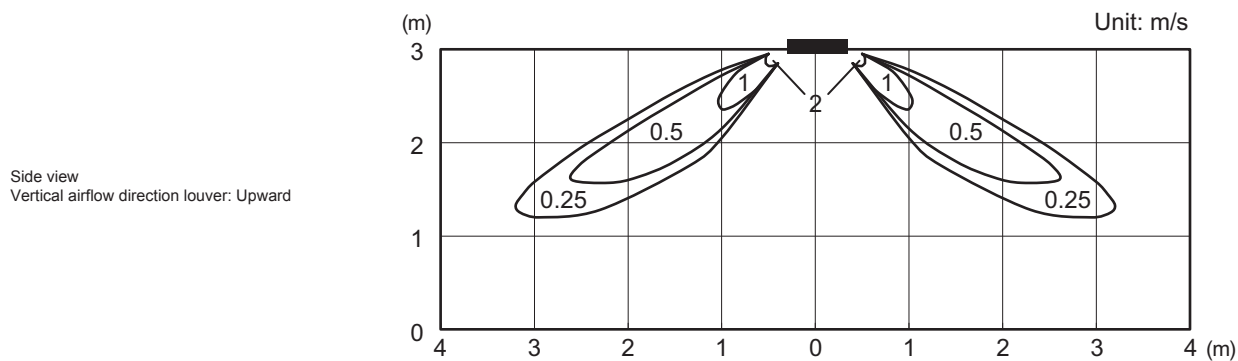
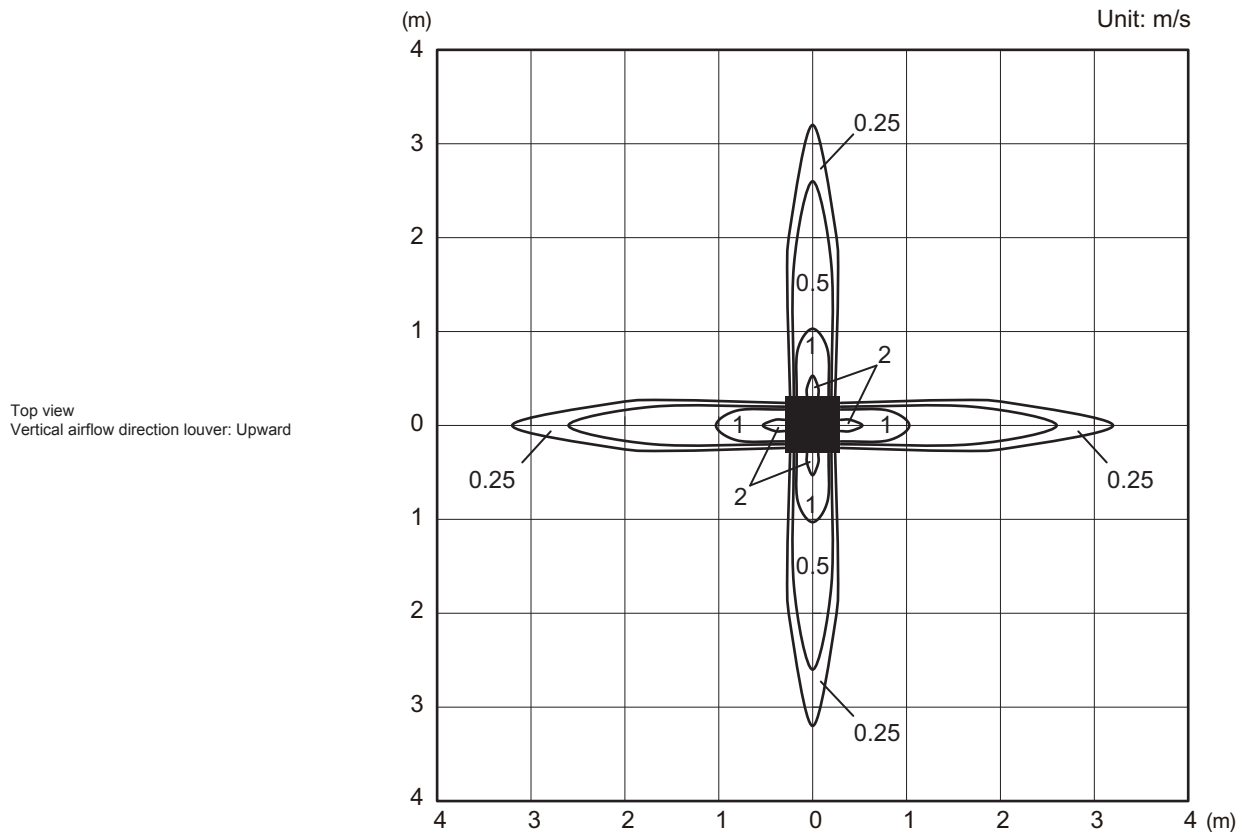


5. Fan performance

5-1. Air velocity distributions

■ Model: AUXG09KVLA (4-way air outlet)

Measuring conditions	Fan speed	Operation mode	Ceiling mode
	HIGH	FAN	STANDARD



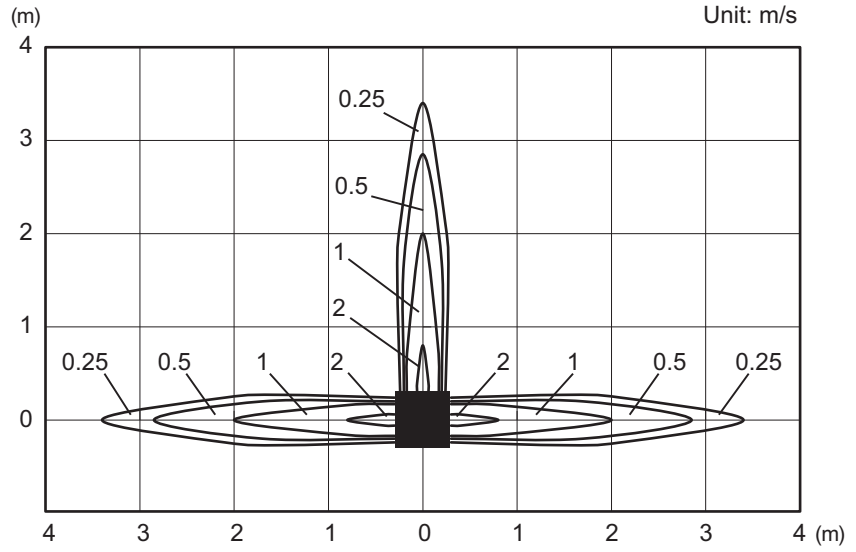
Model: AUXG09KVLA (3-way air outlet)

CASSETTE TYPE
AUXG09-22KVLA

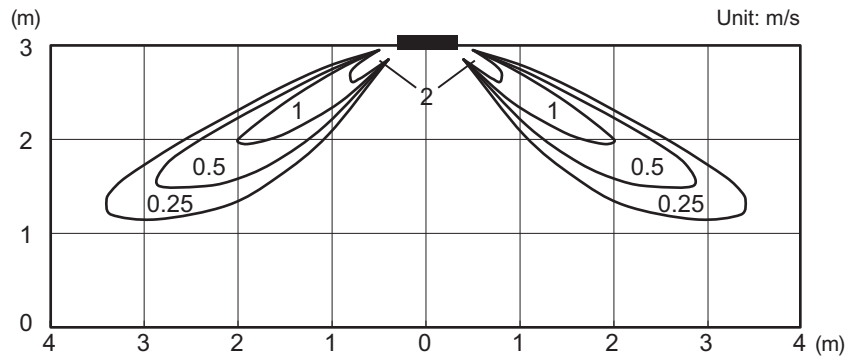
CASSETTE TYPE
AUXG09-22KVLA

Measuring conditions	Fan speed	Operation mode	Ceiling mode
	HIGH	FAN	STANDARD

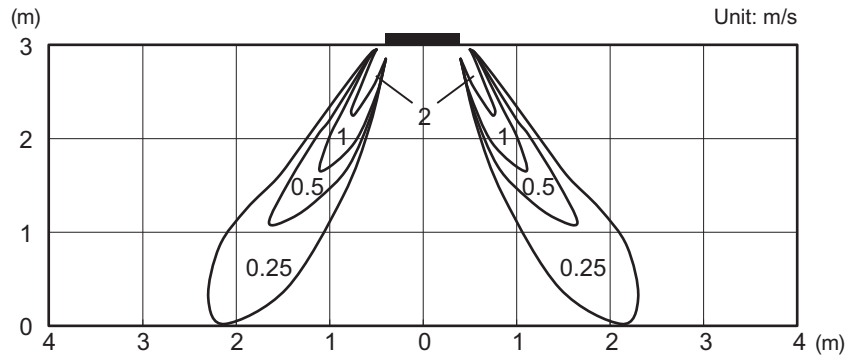
Top view
Vertical airflow direction louver: Upward



Side view
Vertical airflow direction louver: Upward



Side view
Vertical airflow direction louver: Downward



5-2. Airflow

■ Model: AUXG09KVLA

● Cooling

Fan speed	Airflow	
HIGH	m ³ /h	540
	l/s	150
	CFM	318
MED	m ³ /h	490
	l/s	136
	CFM	288
LOW	m ³ /h	440
	l/s	122
	CFM	259
QUIET	m ³ /h	390
	l/s	108
	CFM	230

● Heating

Fan speed	Airflow	
HIGH	m ³ /h	540
	l/s	150
	CFM	318
MED	m ³ /h	490
	l/s	136
	CFM	288
LOW	m ³ /h	440
	l/s	122
	CFM	259
QUIET	m ³ /h	390
	l/s	108
	CFM	230