

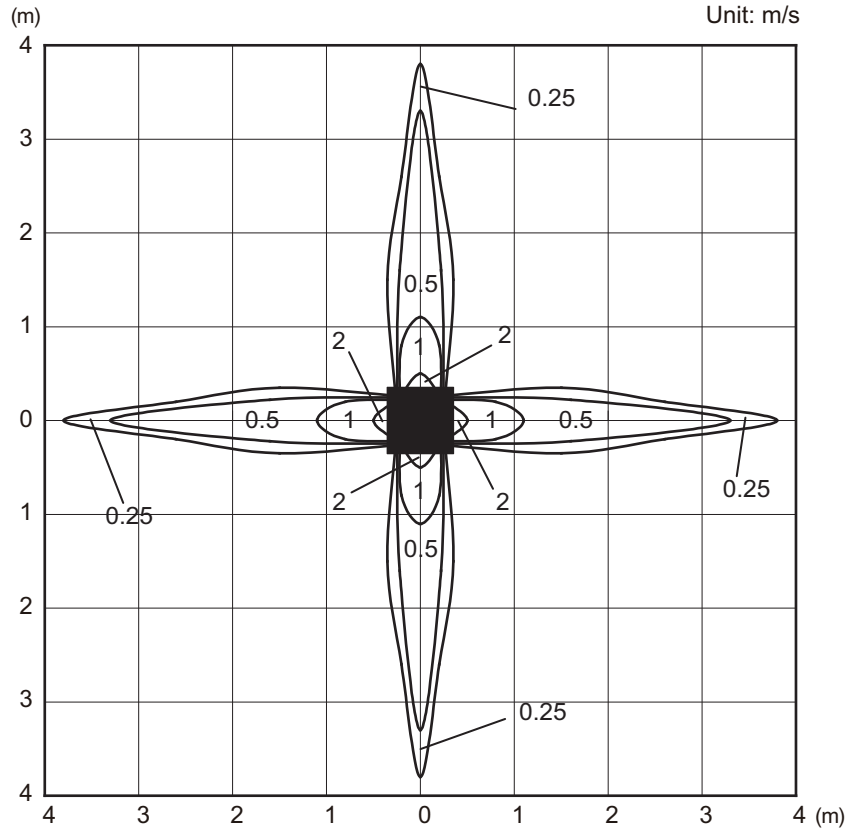
Model: AUXG12KVLA (4-way air outlet)

CASSETTE TYPE
AUXG09-22KVLA

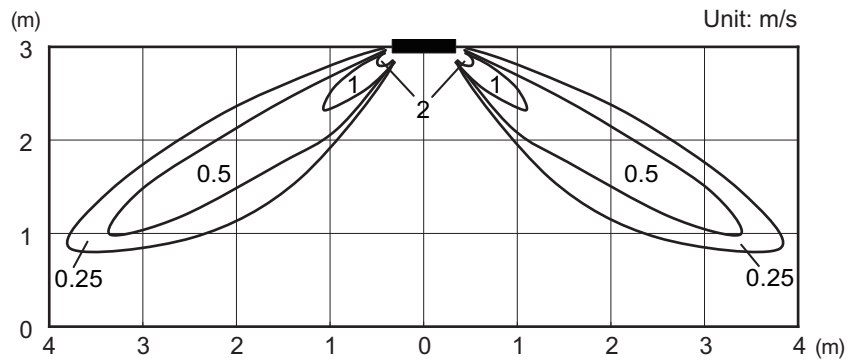
CASSETTE TYPE
AUXG09-22KVLA

Measuring conditions	Fan speed	Operation mode	Ceiling mode
	HIGH	FAN	STANDARD

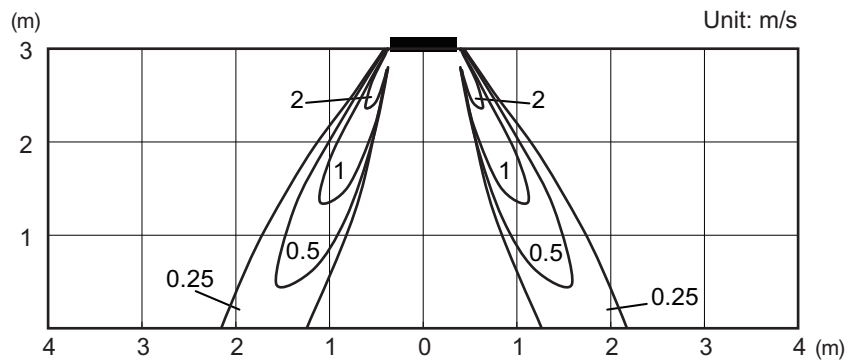
Top view
Vertical airflow direction louver: Upward



Side view
Vertical airflow direction louver: Upward



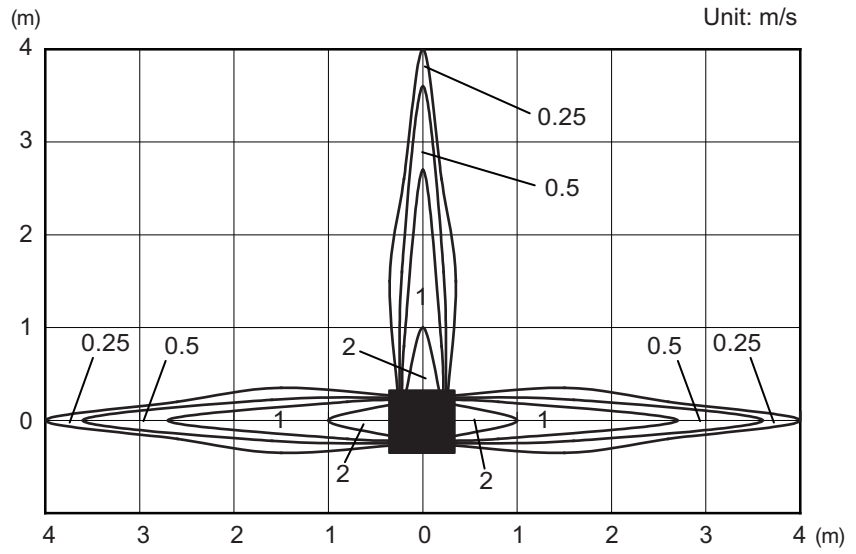
Side view
Vertical airflow direction louver: Downward



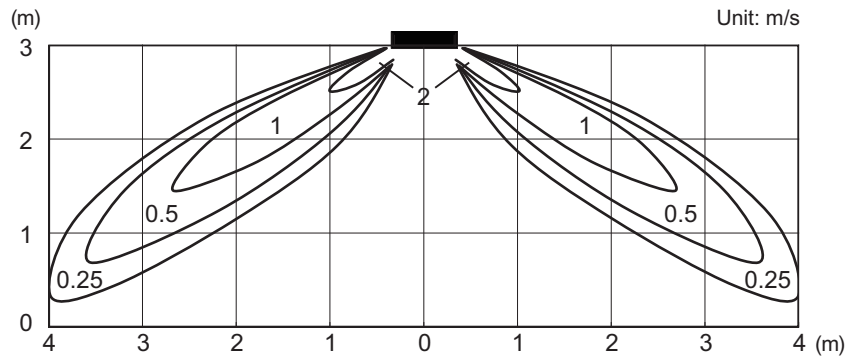
Model: AUXG12KVLA (3-way air outlet)

Measuring conditions	Fan speed	Operation mode	Ceiling mode
	HIGH	FAN	STANDARD

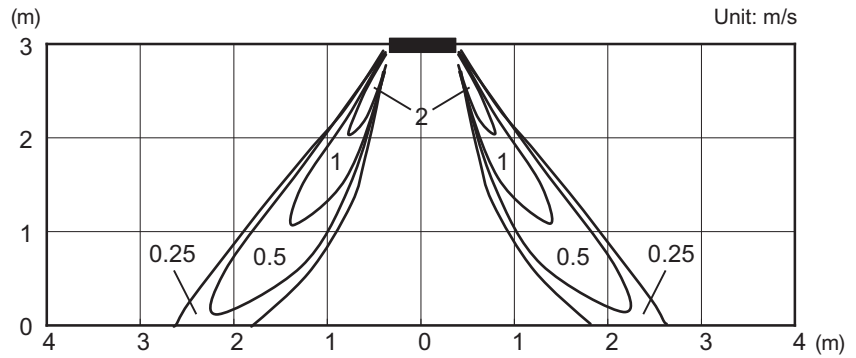
Top view
Vertical airflow direction louver: Upward



Side view
Vertical airflow direction louver: Upward



Side view
Vertical airflow direction louver: Downward



■ Model: AUXG12KVLA

● Cooling

Fan speed	Airflow	
HIGH	m ³ /h	600
	l/s	167
	CFM	353
MED	m ³ /h	530
	l/s	147
	CFM	312
LOW	m ³ /h	470
	l/s	131
	CFM	277
QUIET	m ³ /h	410
	l/s	114
	CFM	241

● Heating

Fan speed	Airflow	
HIGH	m ³ /h	600
	l/s	167
	CFM	353
MED	m ³ /h	530
	l/s	147
	CFM	312
LOW	m ³ /h	470
	l/s	131
	CFM	277
QUIET	m ³ /h	410
	l/s	114
	CFM	241