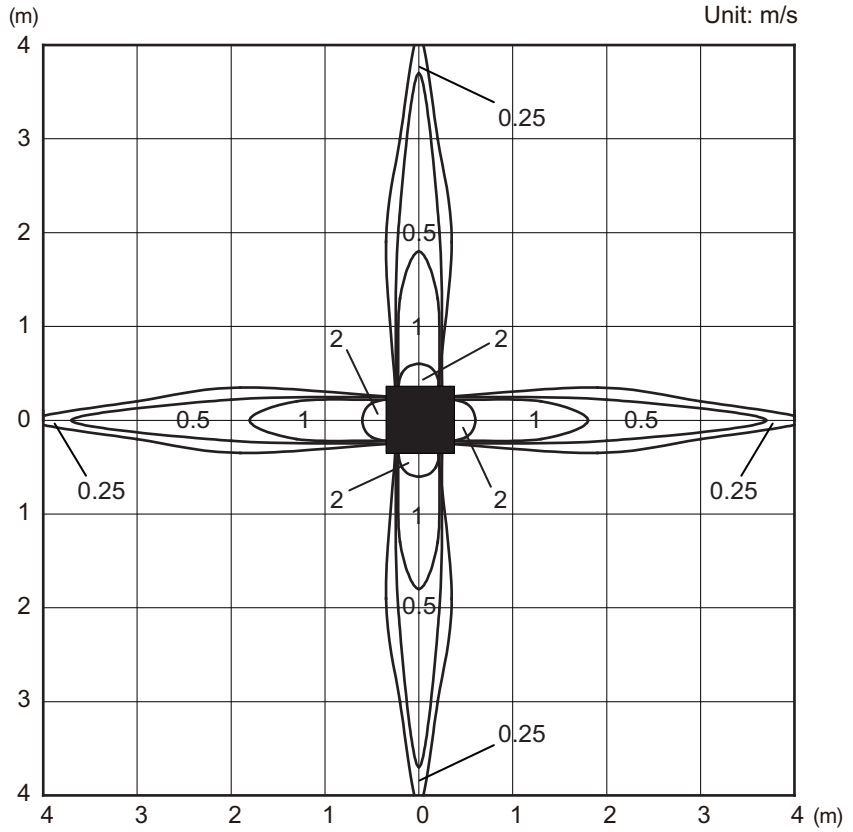


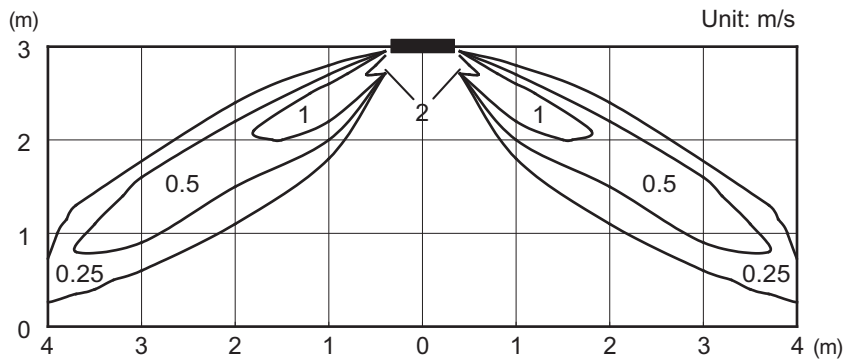
Model: AUXG18KVLA (4-way air outlet)

Measuring conditions	Fan speed	Operation mode	Ceiling mode
	HIGH	FAN	STANDARD

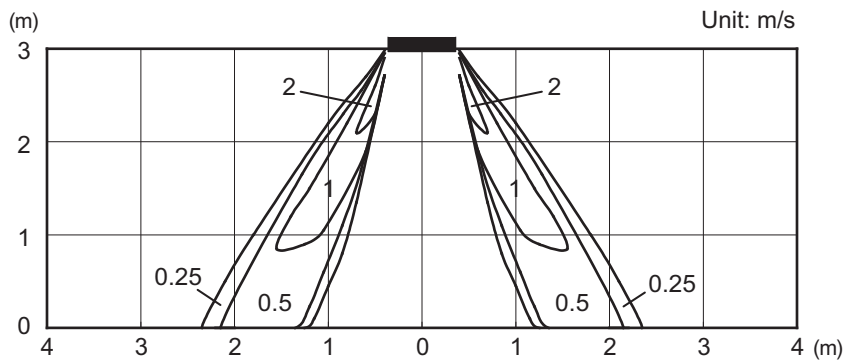
Top view
Vertical airflow direction louver: Upward



Side view
Vertical airflow direction louver: Upward



Side view
Vertical airflow direction louver: Downward



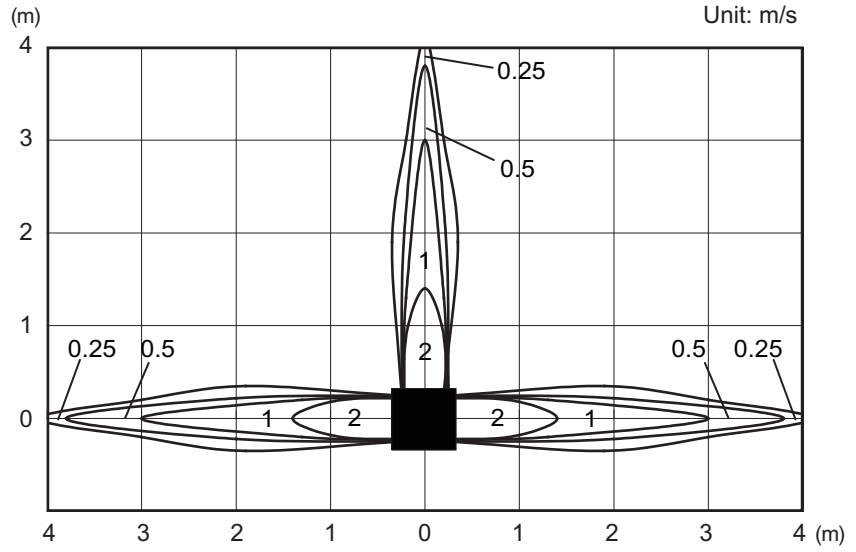
Model: AUXG18KVL A (3-way air outlet)

CASSETTE TYPE
AUXG09-22KVL A

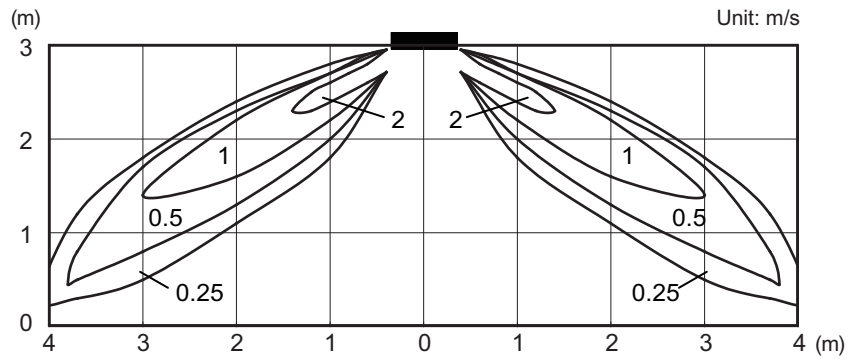
CASSETTE TYPE
AUXG09-22KVL A

Measuring conditions	Fan speed	Operation mode	Ceiling mode
	HIGH	FAN	STANDARD

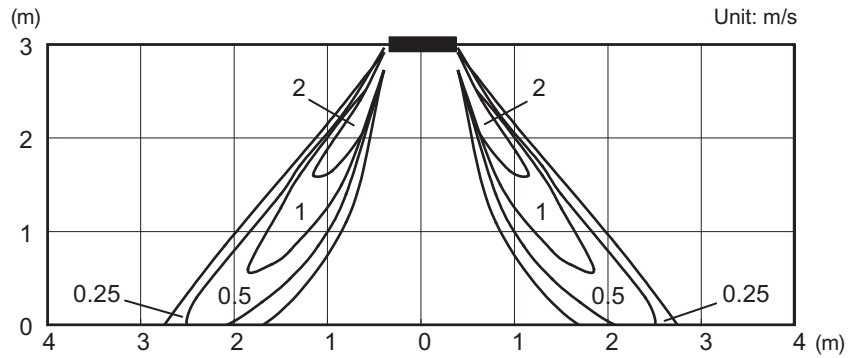
Top view
Vertical airflow direction louver: Upward



Side view
Vertical airflow direction louver: Upward



Side view
Vertical airflow direction louver: Downward



■ Model: AUXG18KVLA

● Cooling

Fan speed	Airflow	
HIGH	m ³ /h	680
	l/s	189
	CFM	400
MED	m ³ /h	580
	l/s	161
	CFM	341
LOW	m ³ /h	490
	l/s	136
	CFM	288
QUIET	m ³ /h	410
	l/s	114
	CFM	241

● Heating

Fan speed	Airflow	
HIGH	m ³ /h	800
	l/s	222
	CFM	471
MED	m ³ /h	680
	l/s	189
	CFM	400
LOW	m ³ /h	580
	l/s	161
	CFM	341
QUIET	m ³ /h	450
	l/s	125
	CFM	265