

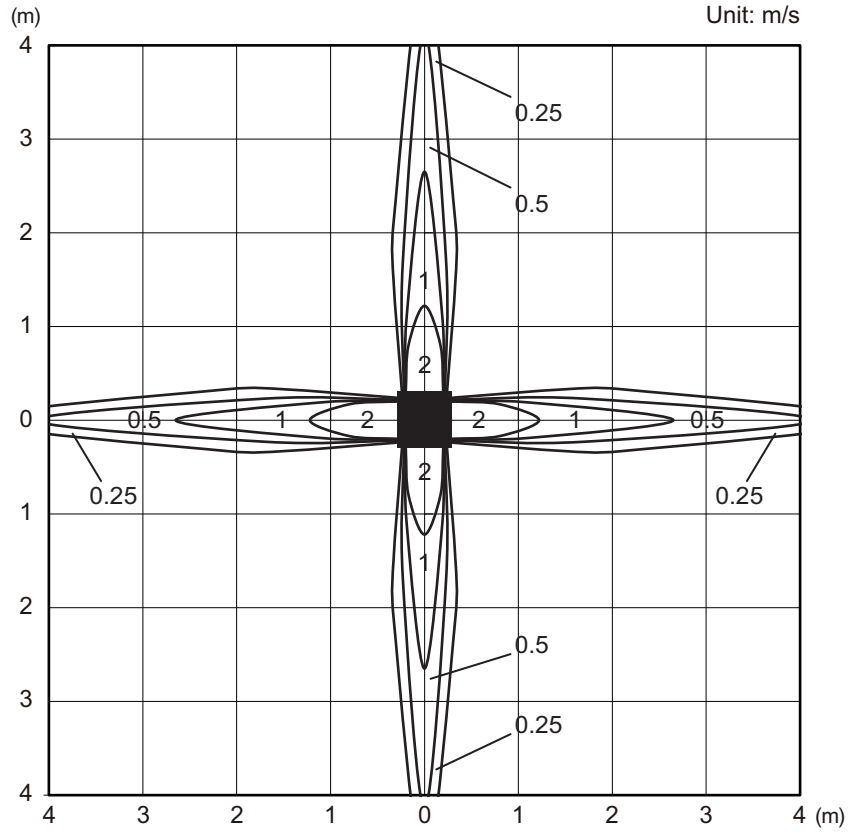
# Model: AUXG22KVLA (4-way air outlet)

CASSETTE TYPE  
AUXG09-22KVLA

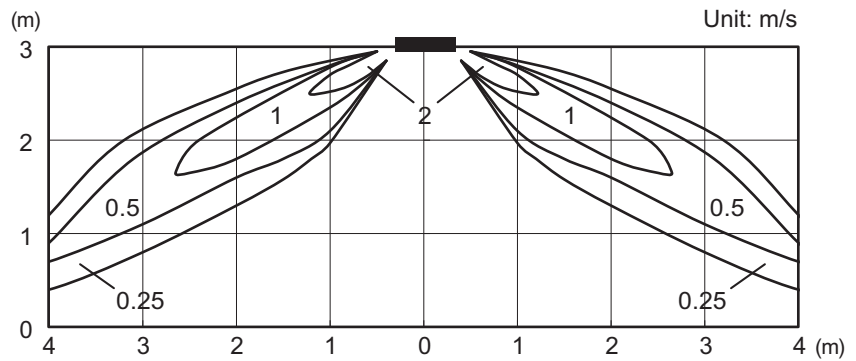
CASSETTE TYPE  
AUXG09-22KVLA

Measuring conditions	Fan speed	Operation mode	Ceiling mode
	HIGH	FAN	STANDARD

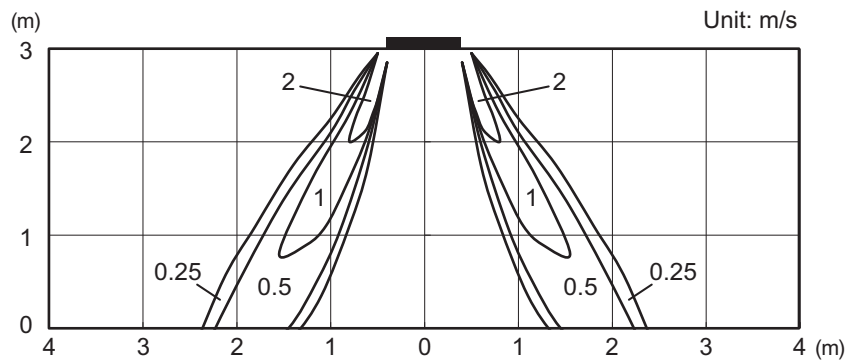
Top view  
Vertical airflow direction louver: Upward



Side view  
Vertical airflow direction louver: Upward



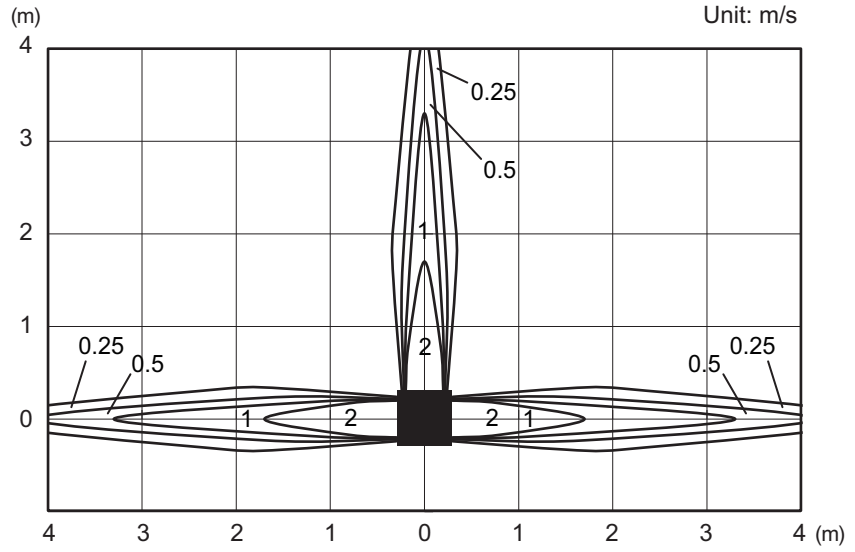
Side view  
Vertical airflow direction louver: Downward



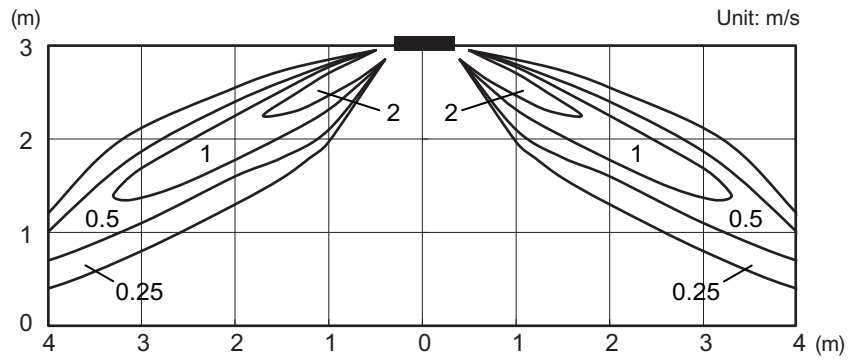
# Model: AUXG22KVL (3-way air outlet)

Measuring conditions	Fan speed	Operation mode	Ceiling mode
	HIGH	FAN	STANDARD

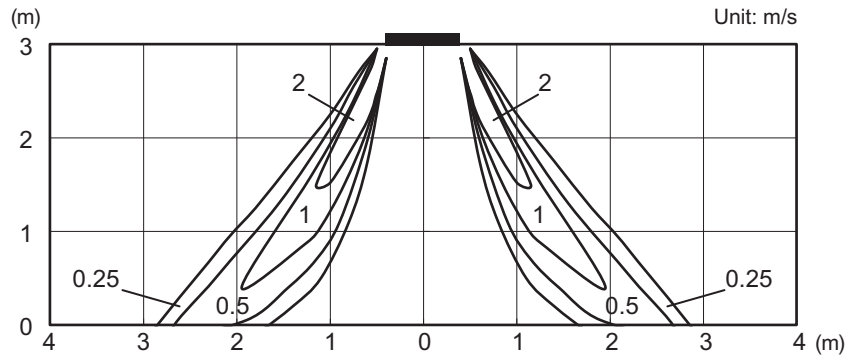
Top view  
Vertical airflow direction louver: Upward



Side view  
Vertical airflow direction louver: Upward



Side view  
Vertical airflow direction louver: Downward



## ■ Model: AUXG22KVLA

### ● Cooling

Fan speed	Airflow	
HIGH	m <sup>3</sup> /h	830
	l/s	231
	CFM	489
MED	m <sup>3</sup> /h	740
	l/s	206
	CFM	436
LOW	m <sup>3</sup> /h	600
	l/s	167
	CFM	353
QUIET	m <sup>3</sup> /h	450
	l/s	125
	CFM	265

### ● Heating

Fan speed	Airflow	
HIGH	m <sup>3</sup> /h	860
	l/s	239
	CFM	506
MED	m <sup>3</sup> /h	760
	l/s	211
	CFM	477
LOW	m <sup>3</sup> /h	700
	l/s	194
	CFM	412
QUIET	m <sup>3</sup> /h	530
	l/s	147
	CFM	312