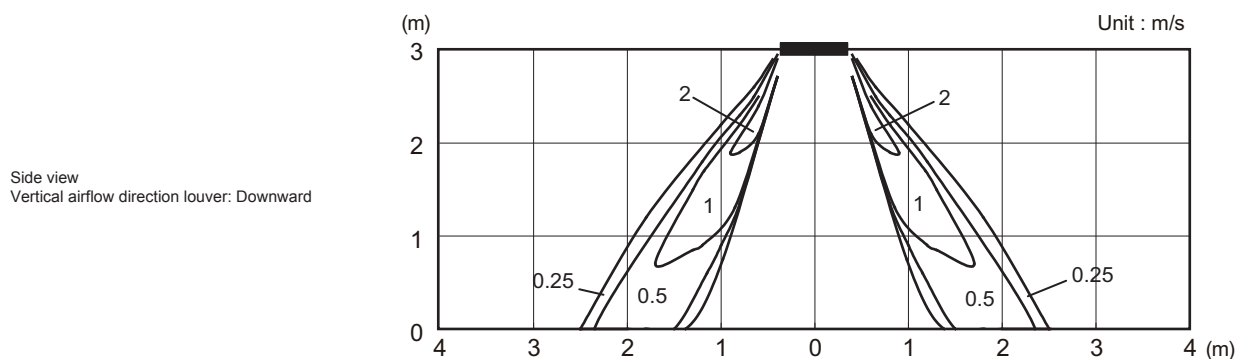
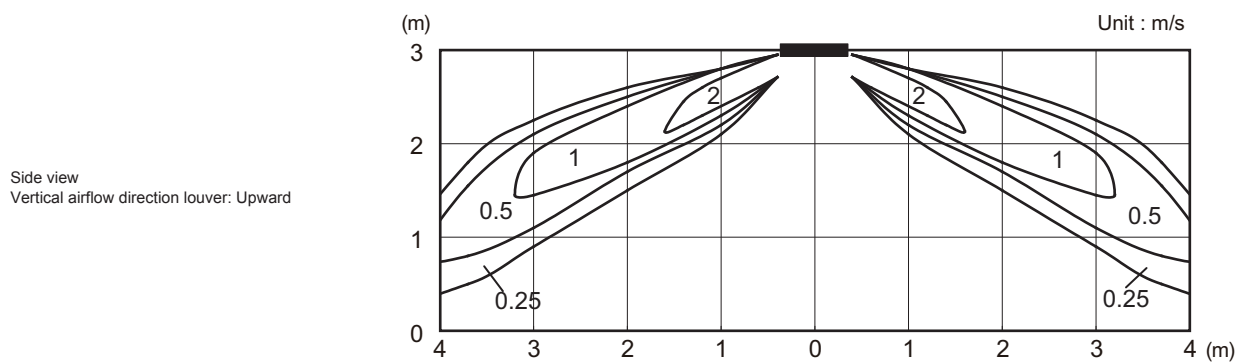
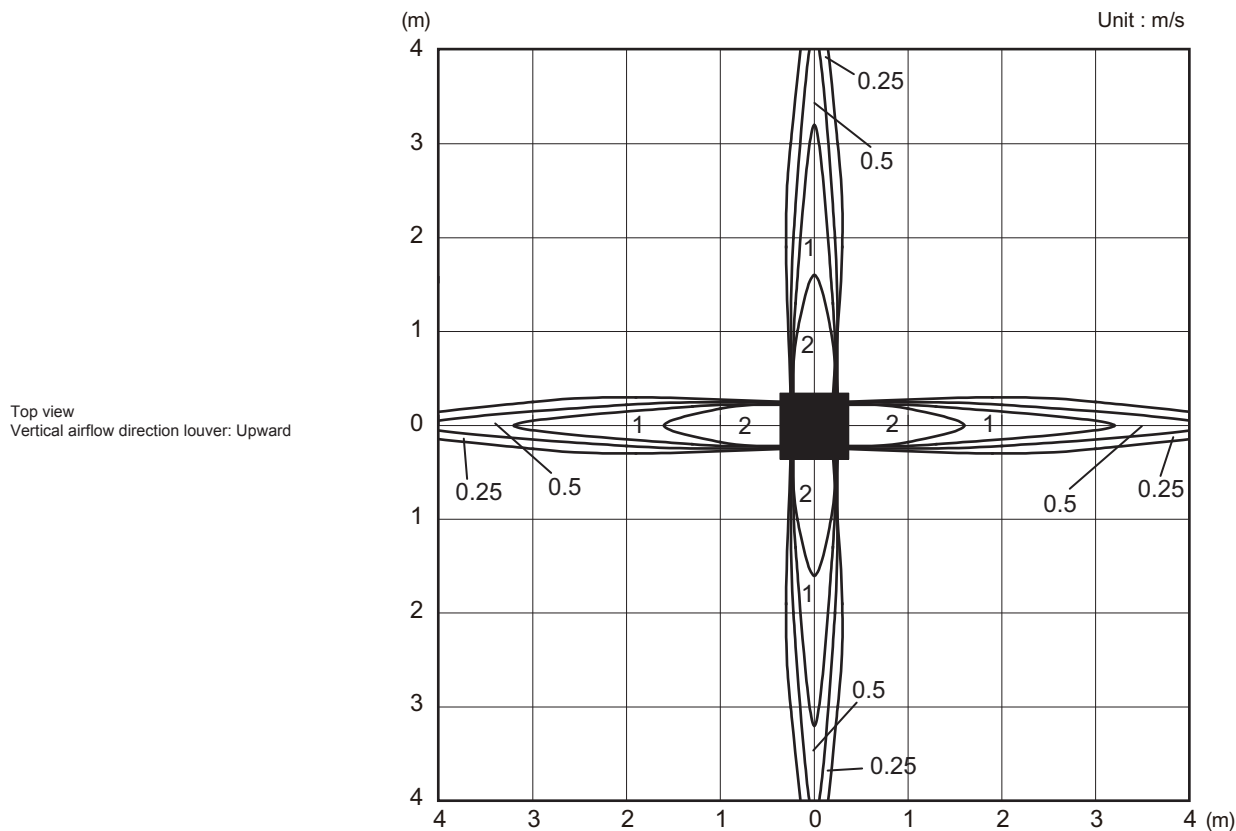


5. Fan performance

5-1. Air velocity distributions

Model: AUXG24KVL (4-way air outlet)

Measuring conditions	Fan speed	Operation mode	Ceiling mode
	HIGH	FAN	Standard



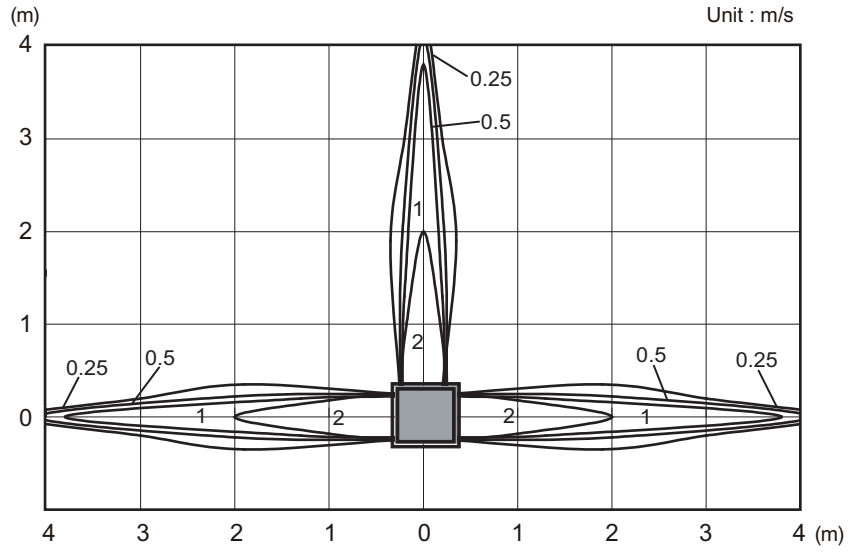
Model: AUXG24KVLA (3-way air outlet)

CASSETTE TYPE
AUXG24KVLA

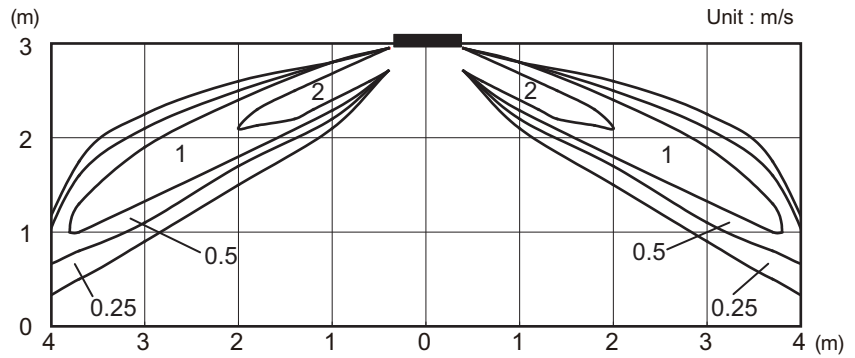
CASSETTE TYPE
AUXG24KVLA

Measuring conditions	Fan speed	Operation mode	Ceiling mode
	HIGH	FAN	Standard

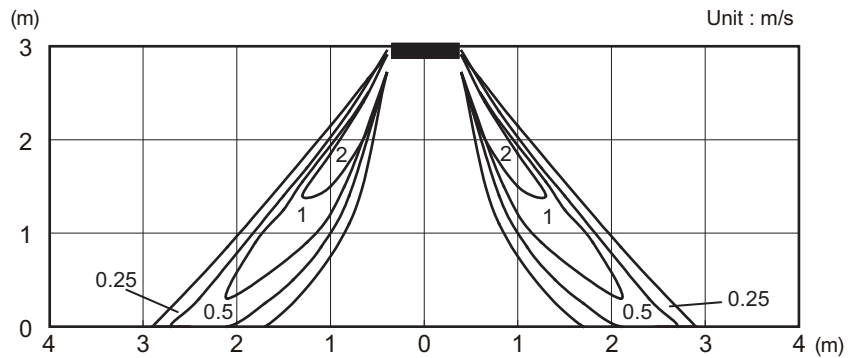
Top view
Vertical airflow direction louver: Upward



Side view
Vertical airflow direction louver: Upward



Side view
Vertical airflow direction louver: Downward



5-2. Airflow

■ Model: AUXG24KVL (Standard ceiling mode)

● Cooling

Fan speed	Airflow	
HIGH	m ³ /h	930
	l/s	258
	CFM	547
MED	m ³ /h	830
	l/s	231
	CFM	489
LOW	m ³ /h	600
	l/s	167
	CFM	353
QUIET	m ³ /h	450
	l/s	125
	CFM	265

● Heating

Fan speed	Airflow	
HIGH	m ³ /h	930
	l/s	258
	CFM	547
MED	m ³ /h	860
	l/s	239
	CFM	506
LOW	m ³ /h	700
	l/s	194
	CFM	412
QUIET	m ³ /h	530
	l/s	147
	CFM	312

■ Model: AUXG24KVL (High ceiling mode)

● Cooling

Fan speed	Airflow	
HIGH	m ³ /h	1,030
	l/s	286
	CFM	606
MED	m ³ /h	930
	l/s	258
	CFM	547
LOW	m ³ /h	710
	l/s	197
	CFM	418
QUIET	m ³ /h	450
	l/s	125
	CFM	265

● Heating

Fan speed	Airflow	
HIGH	m ³ /h	1,000
	l/s	278
	CFM	589
MED	m ³ /h	960
	l/s	267
	CFM	565
LOW	m ³ /h	820
	l/s	228
	CFM	483
QUIET	m ³ /h	530
	l/s	147
	CFM	312