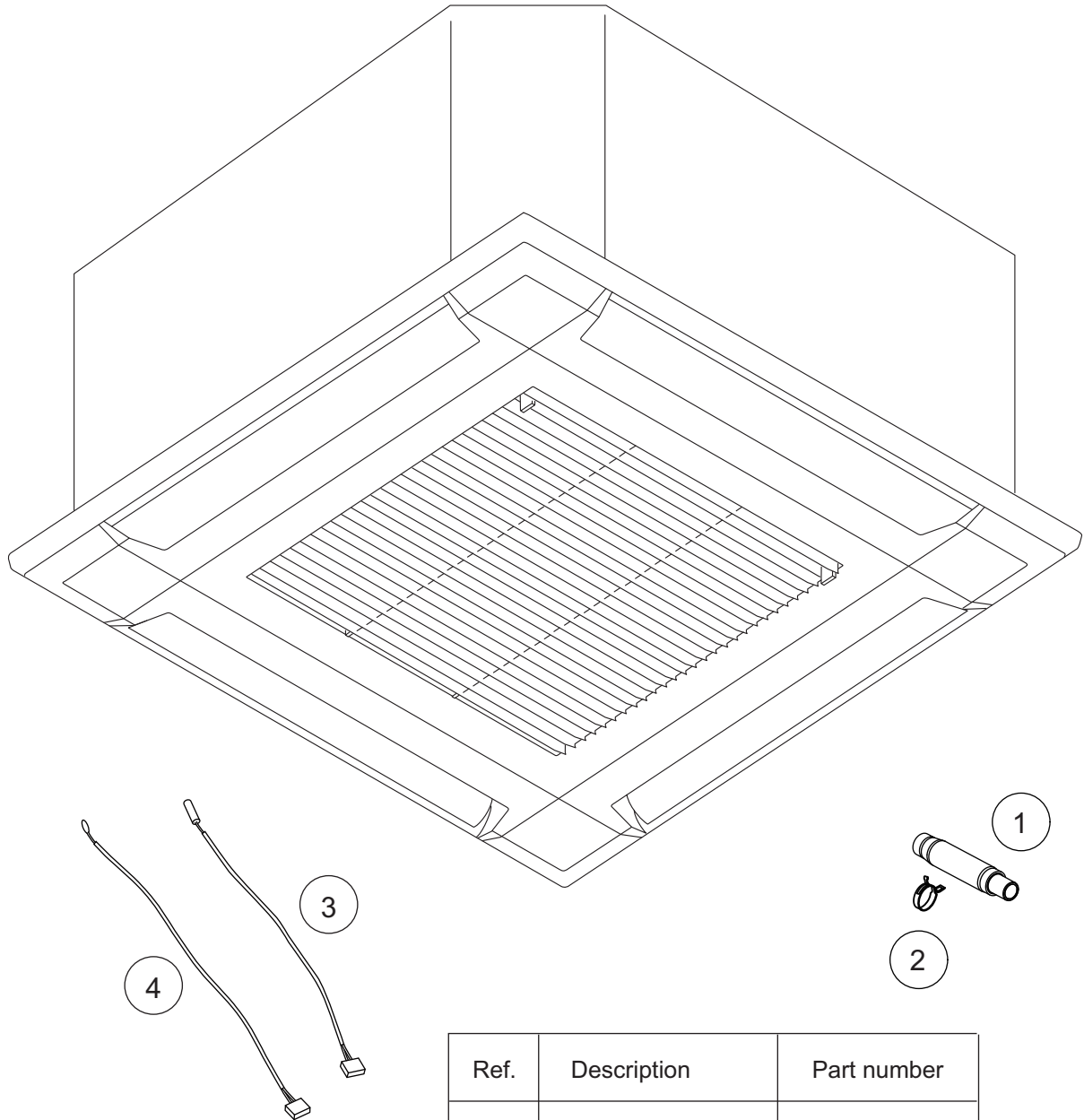


3. Indoor unit parts list

3-1. Model: AUXG24KVLA

■ Thermistors

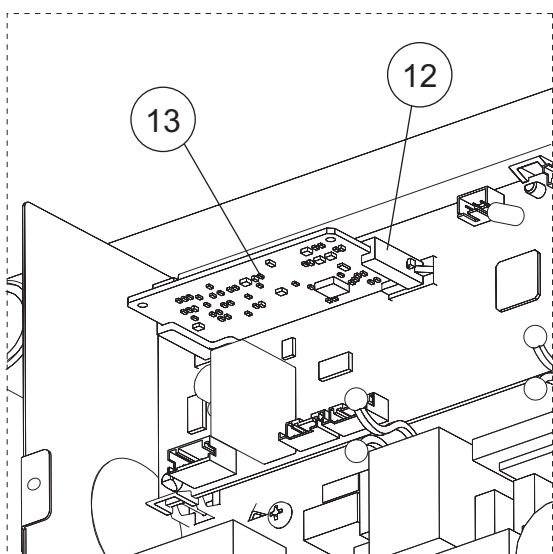
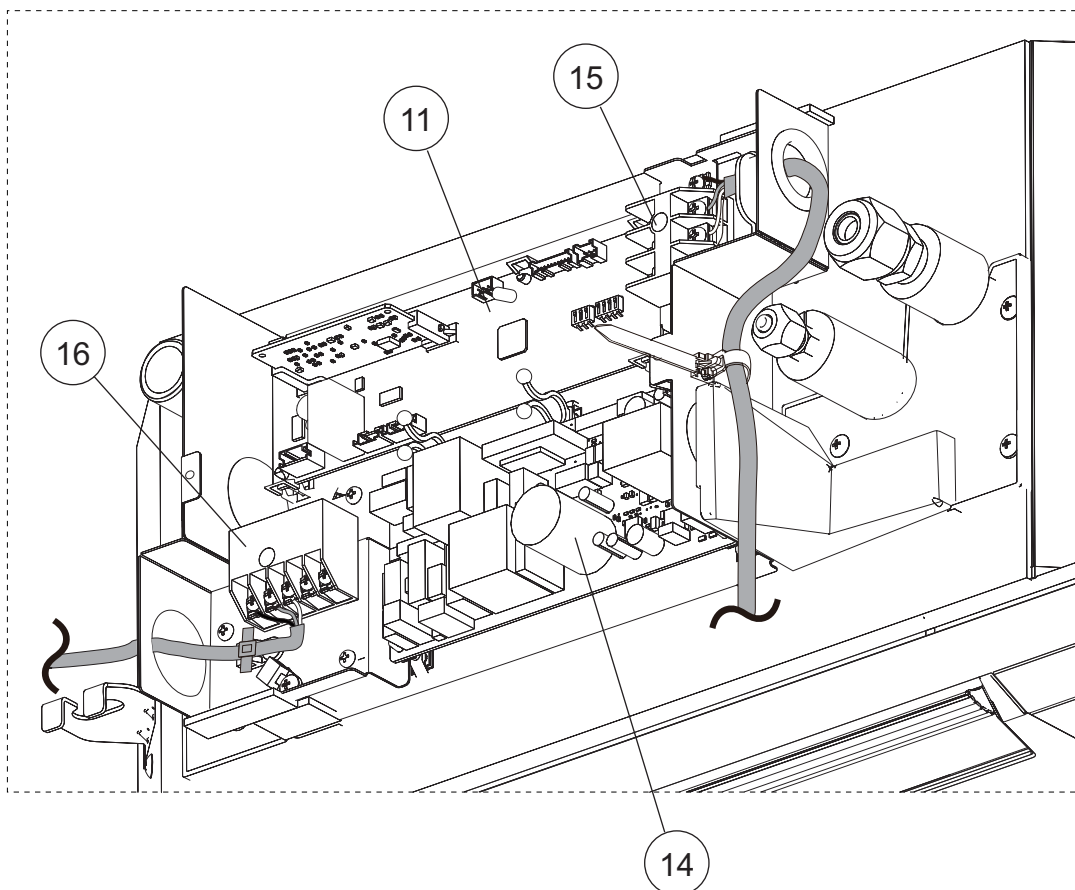


Ref.	Description	Part number
1	Drain hose	9379665001
2	Hose band	9379757010
3	Pipe Thermistor	9900942038
4	Room Thermistor	9900826000

■ Main PC board

TECHNICAL DATA
AND PARTS LIST

TECHNICAL DATA
AND PARTS LIST

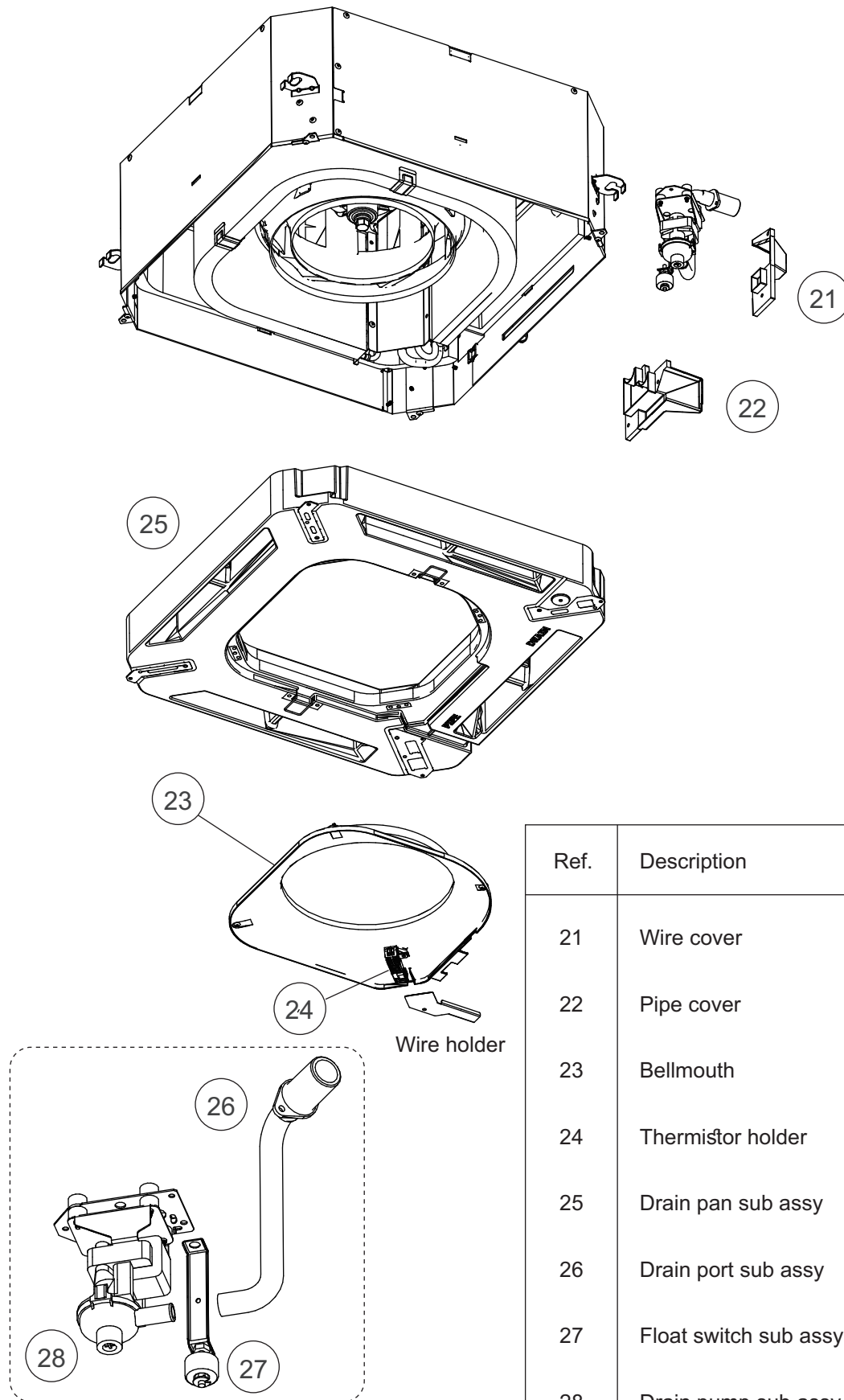


Ref.	Description	Part number
11	Main PCB	9710995866
12	Holder	0600063023
13	Communication PCB	9710019005
14	Power supply PCB	9710661006
15	Terminal	9900568009
16	Terminal	9900896003

■ Drain pump

TECHNICAL DATA
AND PARTS LIST

TECHNICAL DATA
AND PARTS LIST

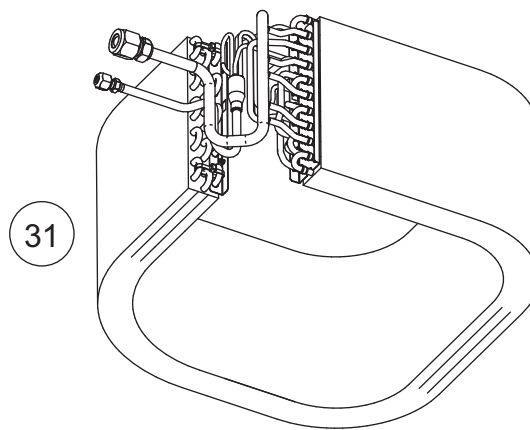
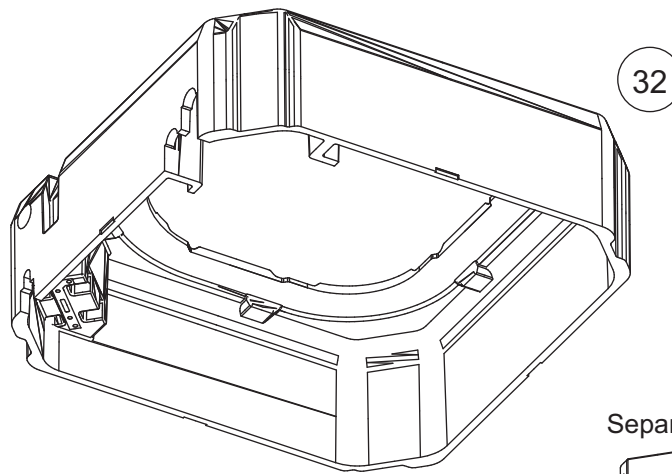
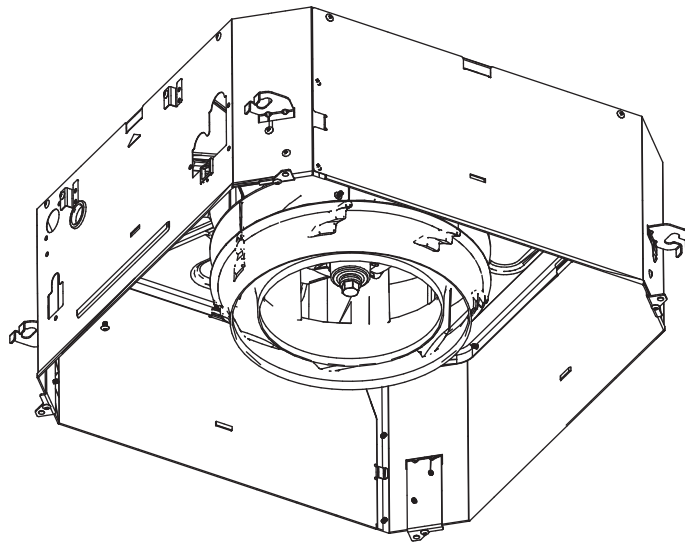


Ref.	Description	Part number
21	Wire cover	9375516017
22	Pipe cover	9375515010
23	Bellmouth	9375503017
24	Thermistor holder	9375477011
25	Drain pan sub assy	9377765017
26	Drain port sub assy	9375718015
27	Float switch sub assy	9375721046
28	Drain pump sub assy	9375717025

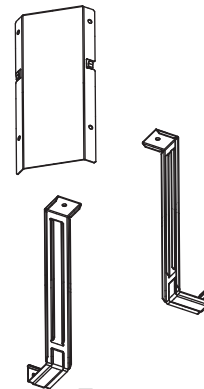
Evaporator

TECHNICAL DATA
AND PARTS LIST

TECHNICAL DATA
AND PARTS LIST



Separate wall



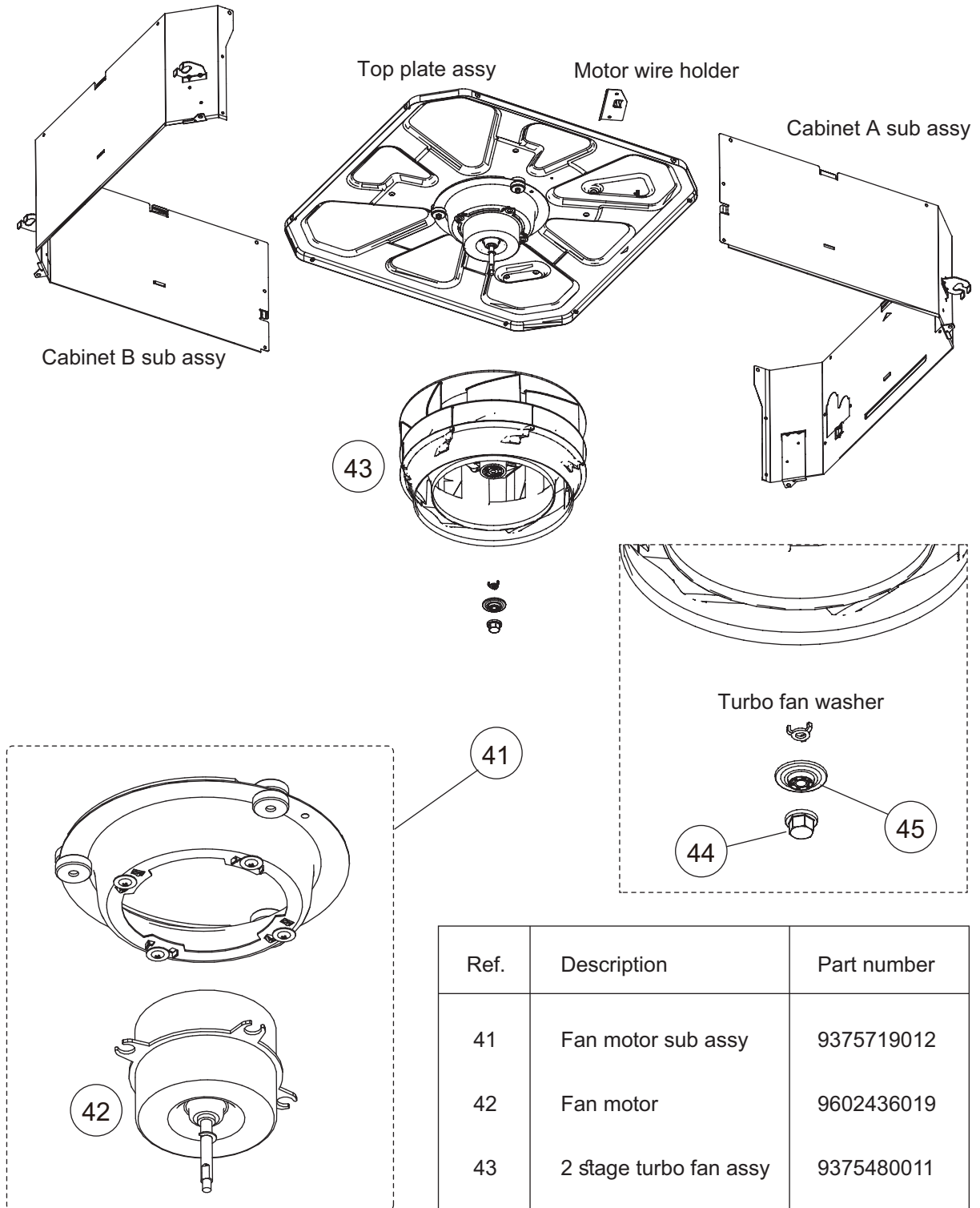
Evaporator holder

Ref.	Description	Part number
31	Evaporator total assy, completed	9377914149
32	Insulation box sub assy	9377764058

■ Fan and motor

TECHNICAL DATA
AND PARTS LIST

TECHNICAL DATA
AND PARTS LIST



Ref.	Description	Part number
41	Fan motor sub Assy	9375719012
42	Fan motor	9602436019
43	2 stage turbo fan Assy	9375480011
44	Shaft cap	9377807014
45	Washer cover	9377811011