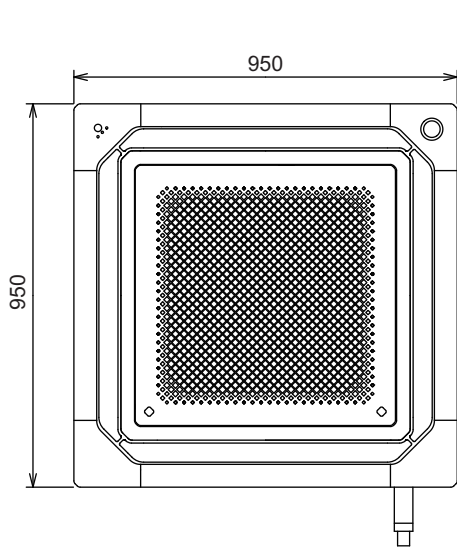
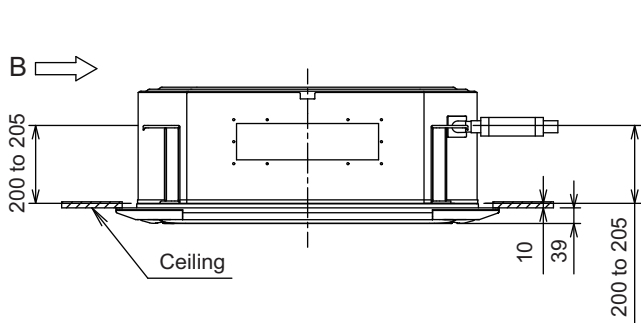
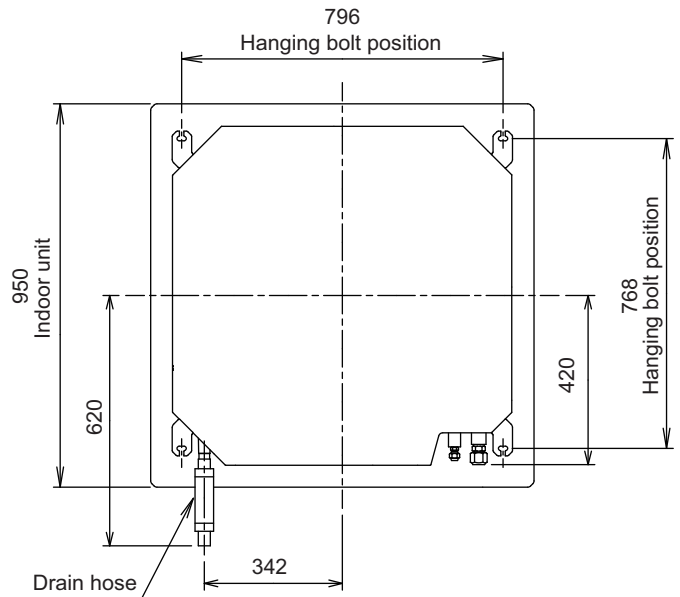


■ Models: AUXK018GLEH, AUXK024GLEH, AUXK030GLEH, AUXK034GLEH, AUXK036GLEH, AUXK045GLEH, and AUXK054GLEH

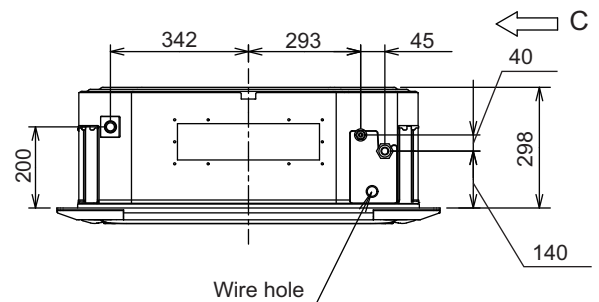
Unit: mm



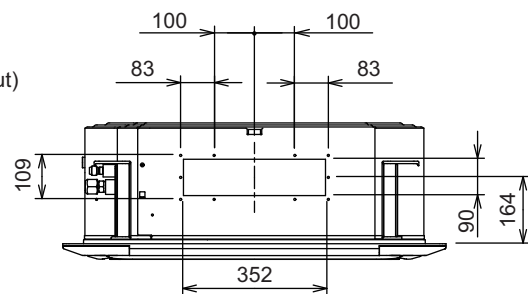
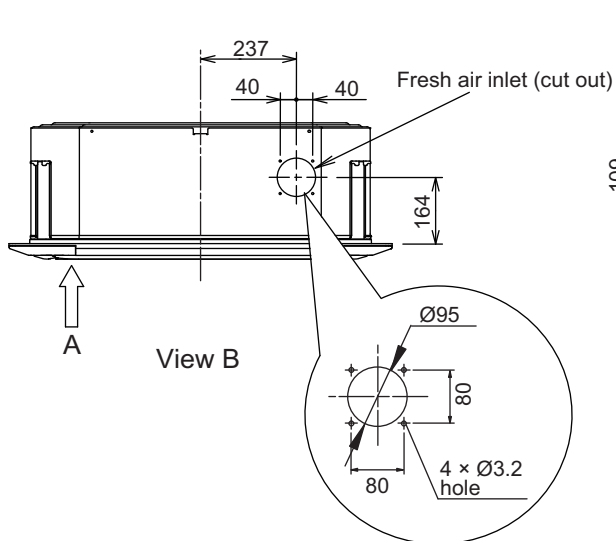
View A



View B

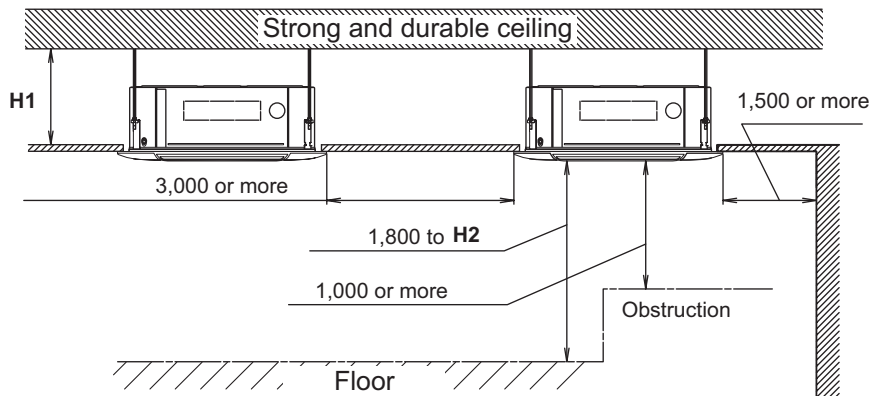


View C



# Installation space requirement

Unit: mm



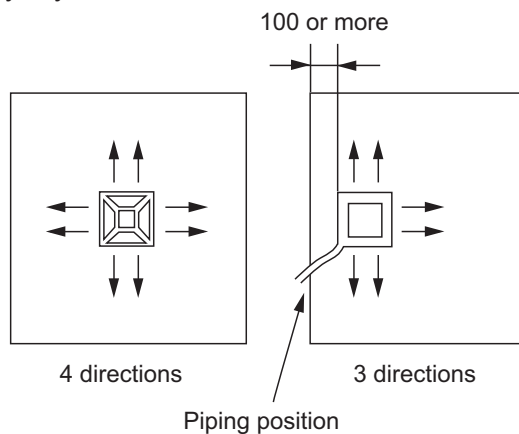
| Model name      | H1: Attic height (mm) |
|-----------------|-----------------------|
| AUXM018-030GLEH | 256 or more           |
| AUXK018-054GLEH | 298 or more           |

Be sure to make function setting with the remote controller according to the installed ceiling height.

| H2: The maximum height from floor to ceiling (mm) |                 |                 |                 |
|---|-----------------|-----------------|-----------------|
| Ceiling height                                    | Model name      |                 |                 |
|   | AUXM018-030GLEH | AUXK018-034GLEH | AUXK036-054GLEH |
| Standard  | 3,000           | 3,200           |                 |
| High ceiling                                      | 3,500           | 3,600           | 4,200           |

## Installation notices

- When installing the indoor unit, be careful about the maintenance space.
- To set "3-direction", Air outlet shutter plate (option) must be installed, and the "outlet-direction" need to be switched to "3-way" by the remote controller.



- In 3-way outlet mode, changing of ceiling height setting by function setting 20 is prohibited. (Ceiling height setting [function setting 20] is allowed to be changed only in 4-way outlet mode.)
- Use the Insulation kit for high humidity (option), when the condition under the roof is over 80% in humidity and over 30°C in temperature. Otherwise, there is a risk of condensation on the ceiling.