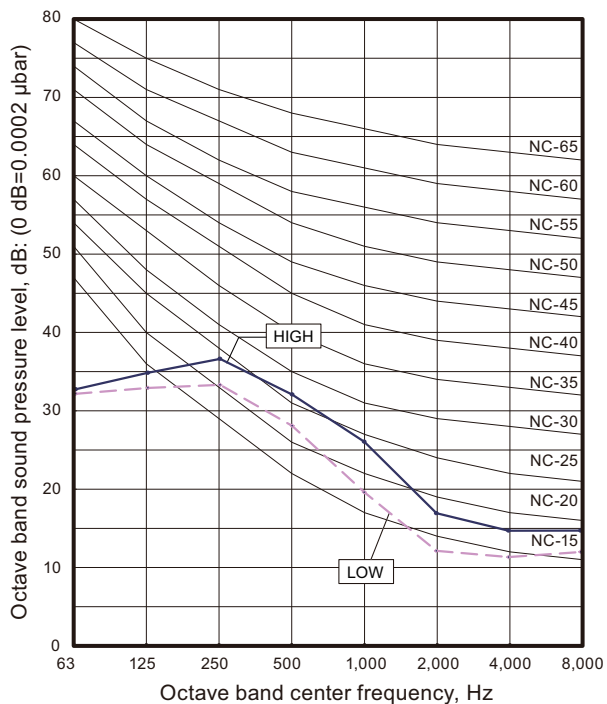
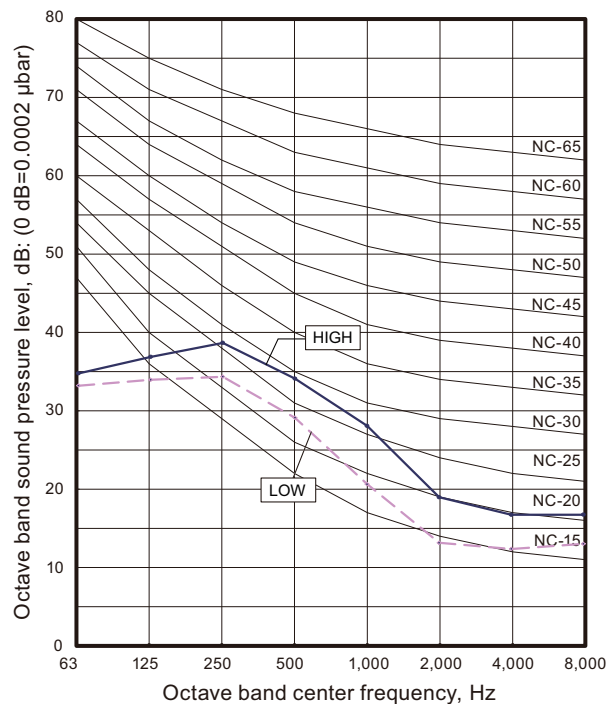


### 9-3. Circular flow cassette type

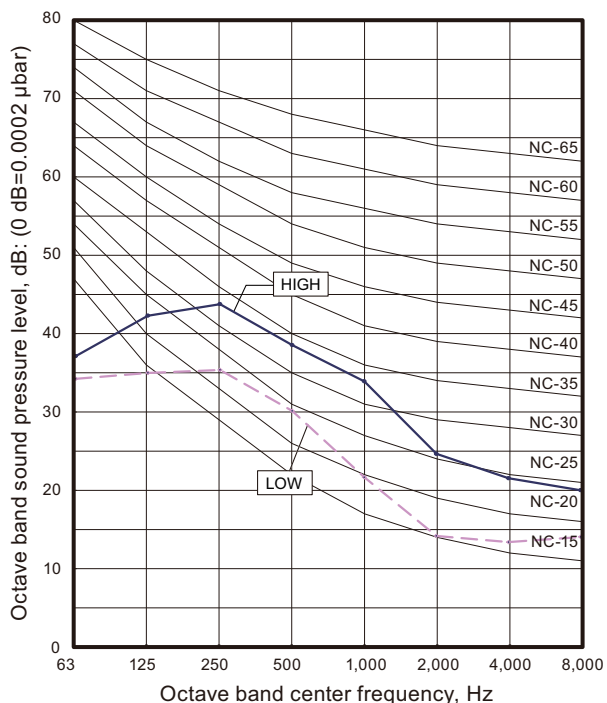
- Model: AUXM018GLEH



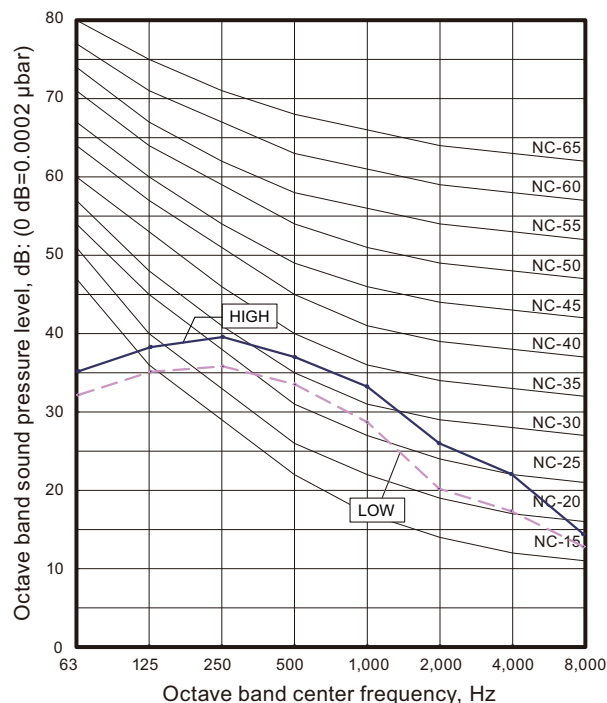
- Model: AUXM024GLEH



- Model: AUXM030GLEH



- Models: AUXK018GLEH and AUXK024GLEH

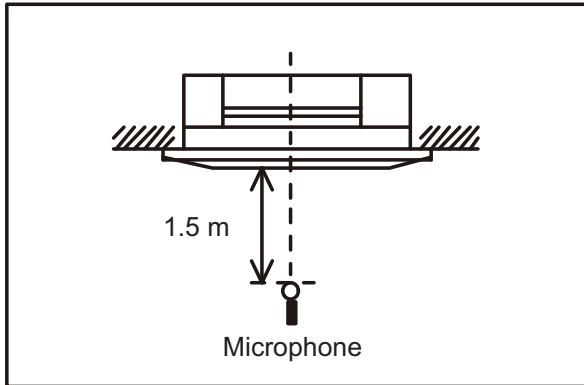


INDOOR  
UNITS

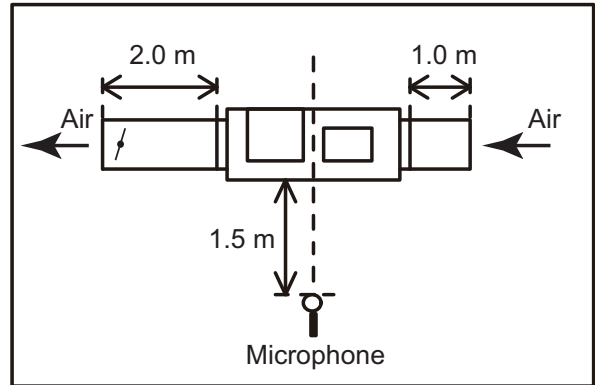
INDOOR  
UNITS

# 9-17. Sound level check point

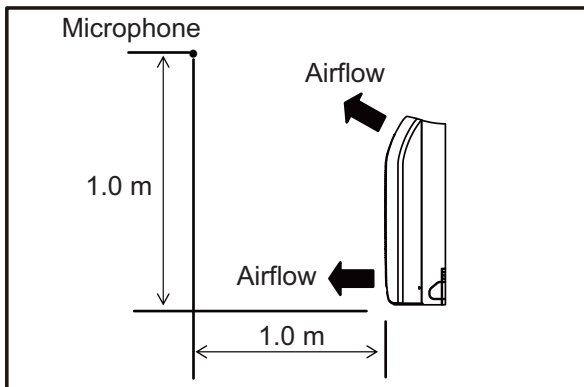
- Compact cassette type
- Circular flow cassette type
- Cassette type



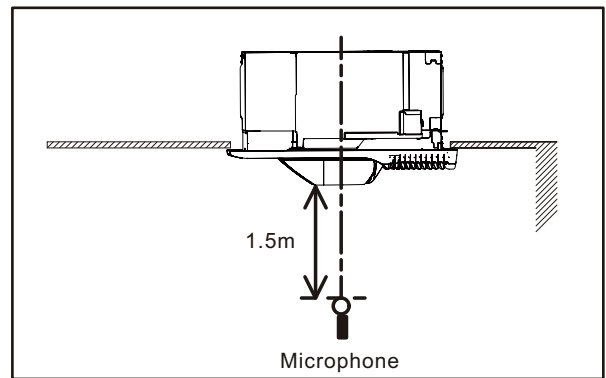
- Low static pressure duct (Mini duct) type
- Low static pressure duct (Slim duct) type
- Medium static pressure duct type
- High static pressure duct type



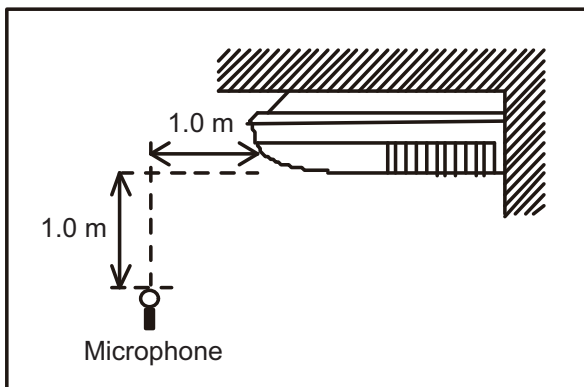
- Compact floor type



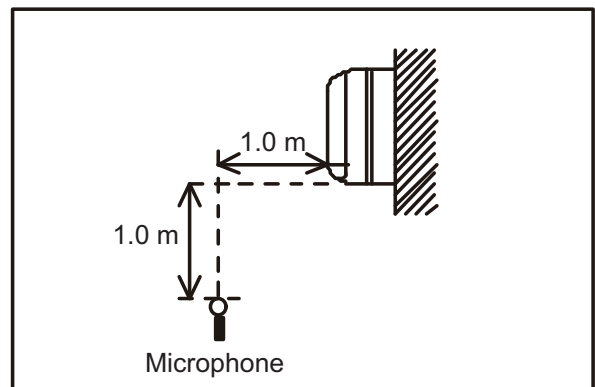
- 3D flow cassette type



- Floor/Ceiling type
- Ceiling type



- Wall mounted type



INDOOR  
UNITS

INDOOR  
UNITS