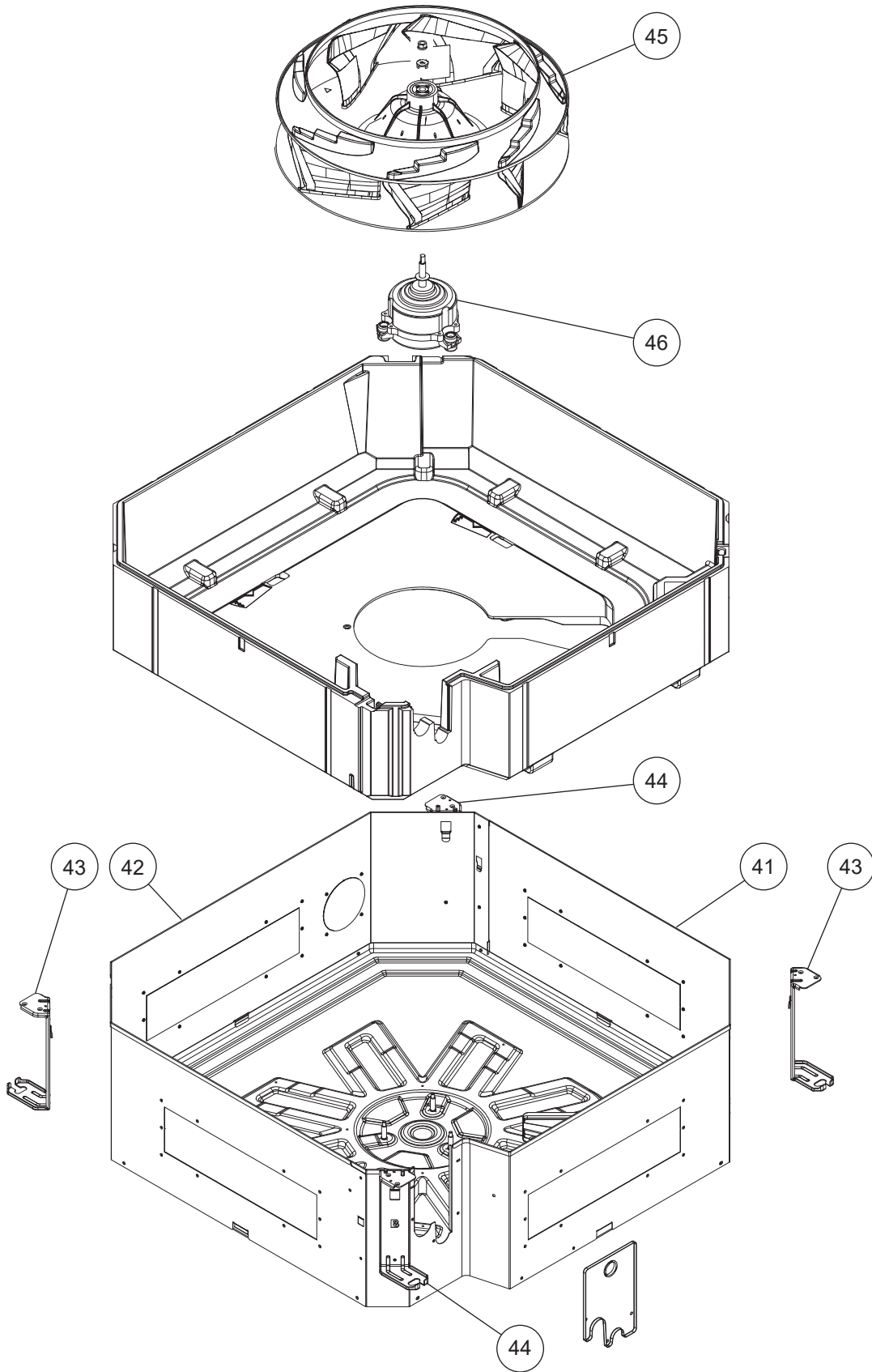
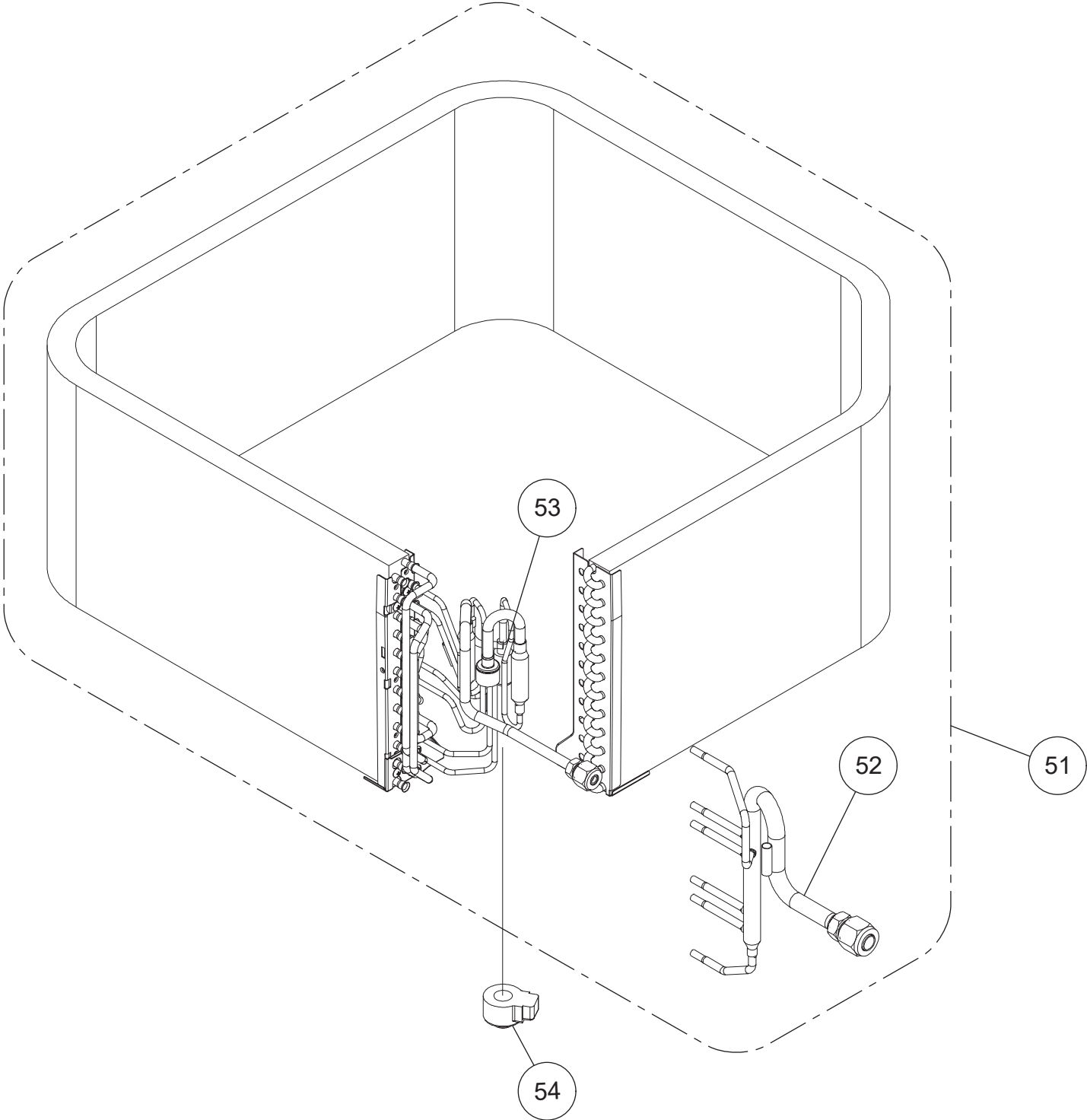


PARTS

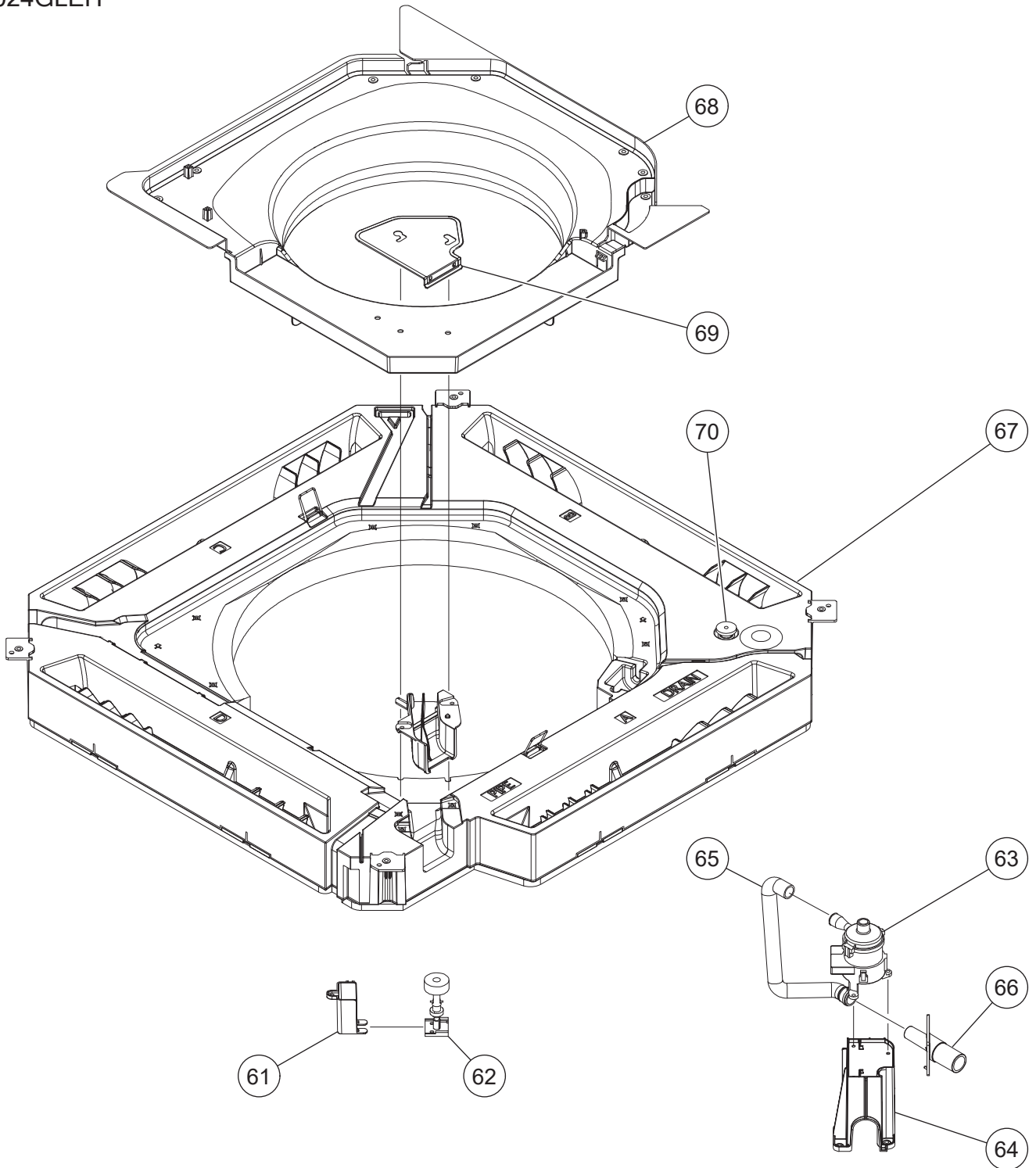
AUXK018GLEH
AUXK024GLEH



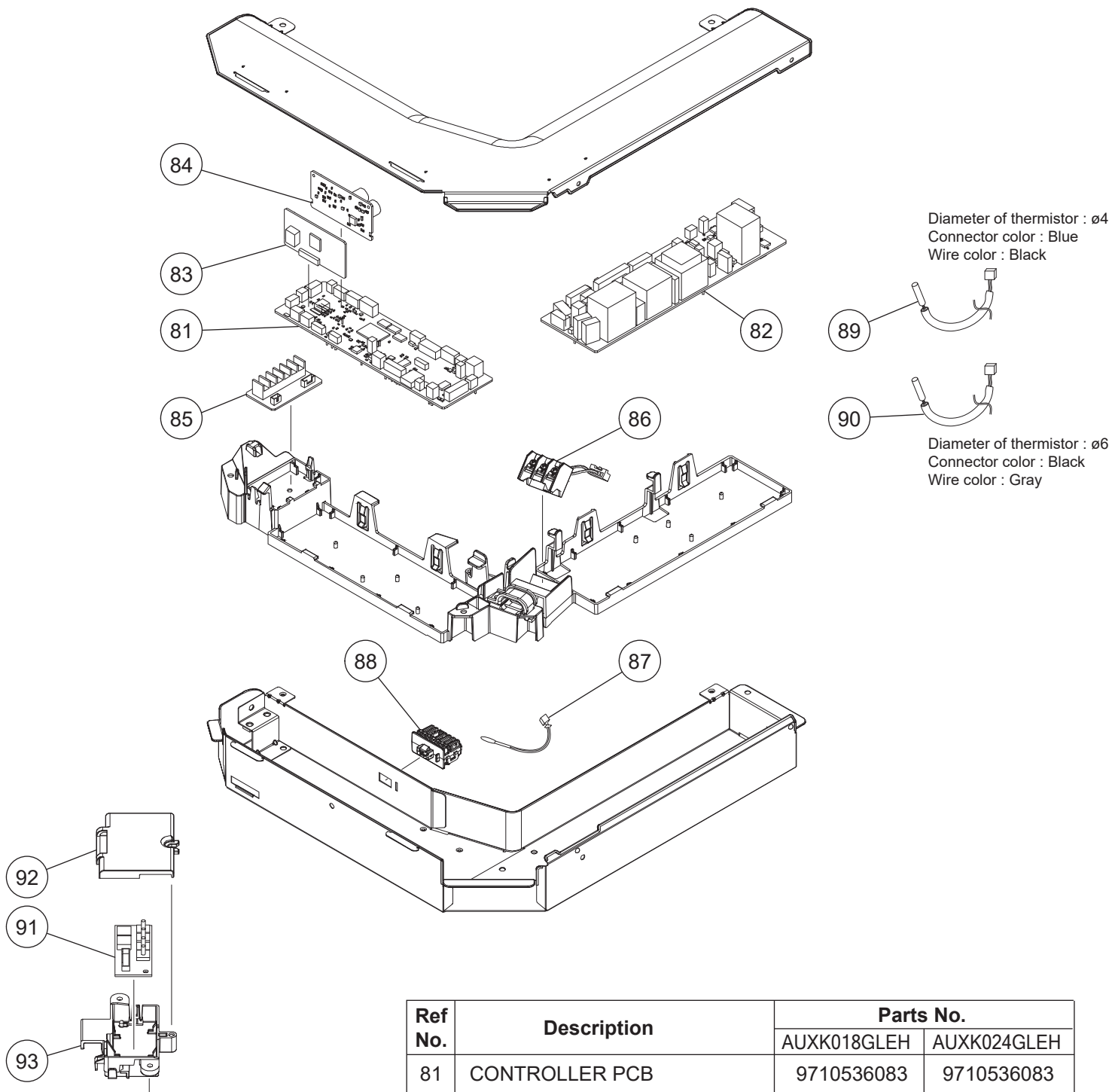
| Ref No. | Description | Parts No. | |
|---------|----------------|-------------|-------------|
| | | AUXK018GLEH | AUXK024GLEH |
| 41 | Cabinet A | 9381407002 | 9381407002 |
| 42 | Cabinet B Assy | 9381786008 | 9381786008 |
| 43 | Hook A | 9381384006 | 9381384006 |
| 44 | Hook B | 9381385003 | 9381385003 |
| 45 | Turbo Fan Assy | 9381303007 | 9381303007 |
| 46 | DC Motor Assy | 9381912001 | 9381912001 |



| Ref No. | Description | Parts No. | |
|---------|------------------------|-------------|-------------|
| | | AUXK018GLEH | AUXK024GLEH |
| 51 | EVAPORATOR TOTAL ASSY | 9378580619 | 9378580626 |
| 52 | COUPLING PIPE ASSY | 9321623103 | 9321623110 |
| 53 | EXPANSION VALVE | 9970160011 | 9970160011 |
| 54 | COIL (EXPANSION VALVE) | 9970101106 | 9970101106 |



| Ref No. | Description | Parts No. | |
|---------|---------------------|-------------|-------------|
| | | AUXK018GLEH | AUXK024GLEH |
| 61 | Float Switch Holder | 9381605002 | 9381605002 |
| 62 | Float Switch | 9900465056 | 9900465056 |
| 63 | Pump Assy | 9900890001 | 9900890001 |
| 64 | Drain Pump Holder | 9381342006 | 9381342006 |
| 65 | Drain Hose Assy | 9381914005 | 9381914005 |
| 66 | Drain Port | 9378213012 | 9378213012 |
| 67 | Drain Pan Sub Assy | 9381789009 | 9381789009 |
| 68 | Bell Mouth | 9381345007 | 9381345007 |
| 69 | Wire Cover | 9381394005 | 9381394005 |
| 70 | Drain Cap | 9375502010 | 9375502010 |
| | Drain Hose | 9379665001 | 9379665001 |
| | Panel Hook | 9375671013 | 9375671013 |



| Ref No. | Description | Parts No. | |
|---------|--------------------------|-------------|-------------|
| | | AUXK018GLEH | AUXK024GLEH |
| 81 | CONTROLLER PCB | 9710536083 | 9710536083 |
| 82 | POWER SUPPLY PCB | 9710022029 | 9710022029 |
| 83 | COMMUNICATION PCB | 9707774023 | 9707774023 |
| 84 | COMMUNICATION PCB (RC) | 9710019005 | 9710019005 |
| 85 | TERMINAL PCB | 9707736014 | 9707736014 |
| 86 | TERMINAL | 9900720049 | 9900720049 |
| 87 | ROOM THERMISTOR | 9900822002 | 9900822002 |
| 88 | ROOM THERMISTOR HOLDER | 9381348008 | 9381348008 |
| 89 | PIPE THERMISTOR (INLET) | 9900622015 | 9900622015 |
| 90 | PIPE THERMISTOR (OUTLET) | 9900623012 | 9900623012 |
| 91 | SWITCH PCB | 9707732030 | 9707732030 |
| 92 | SWITCH BOX COVER | 9382480004 | 9382480004 |
| 93 | SWITCH BOX | 9382479008 | 9382479008 |