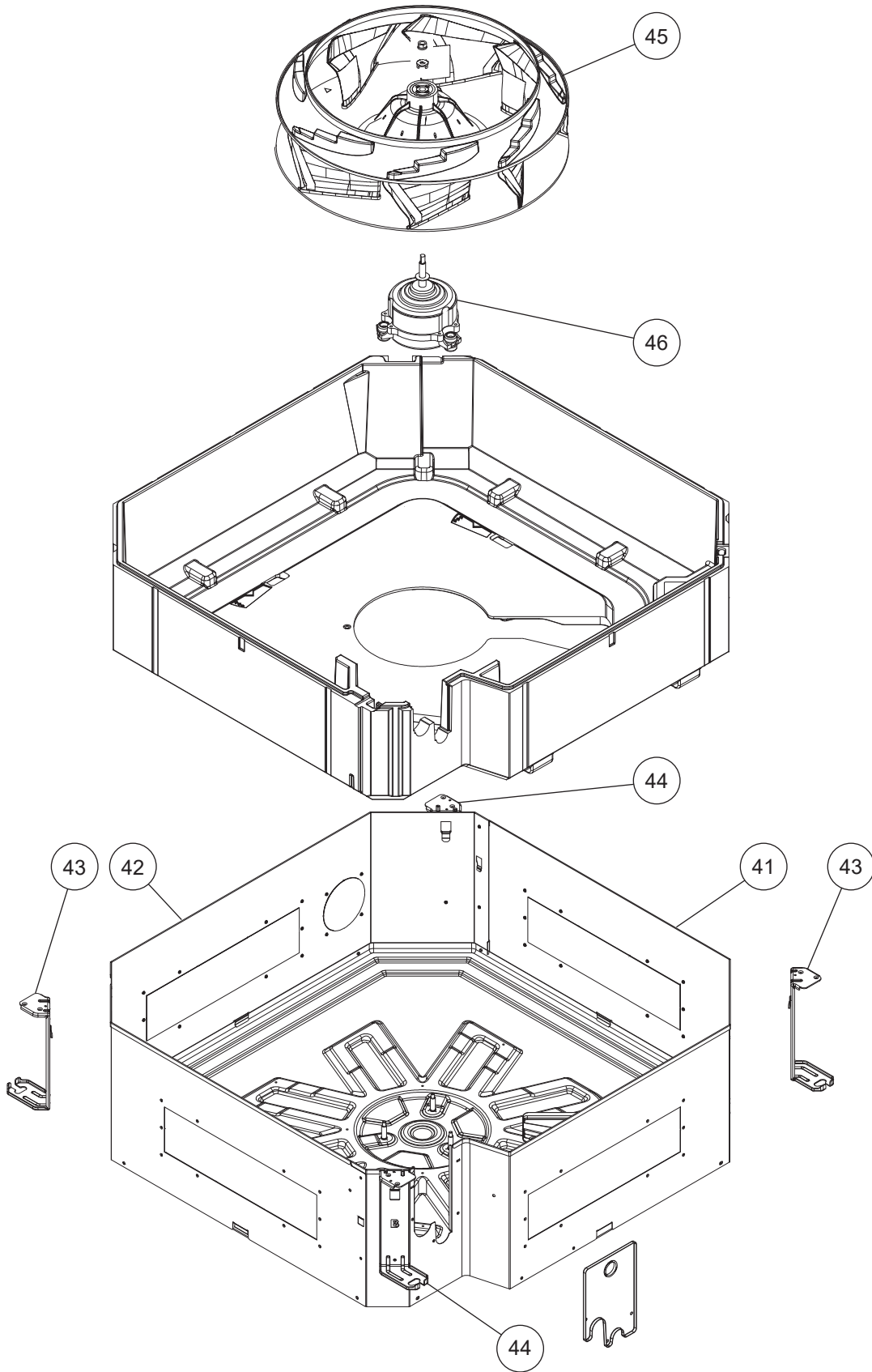
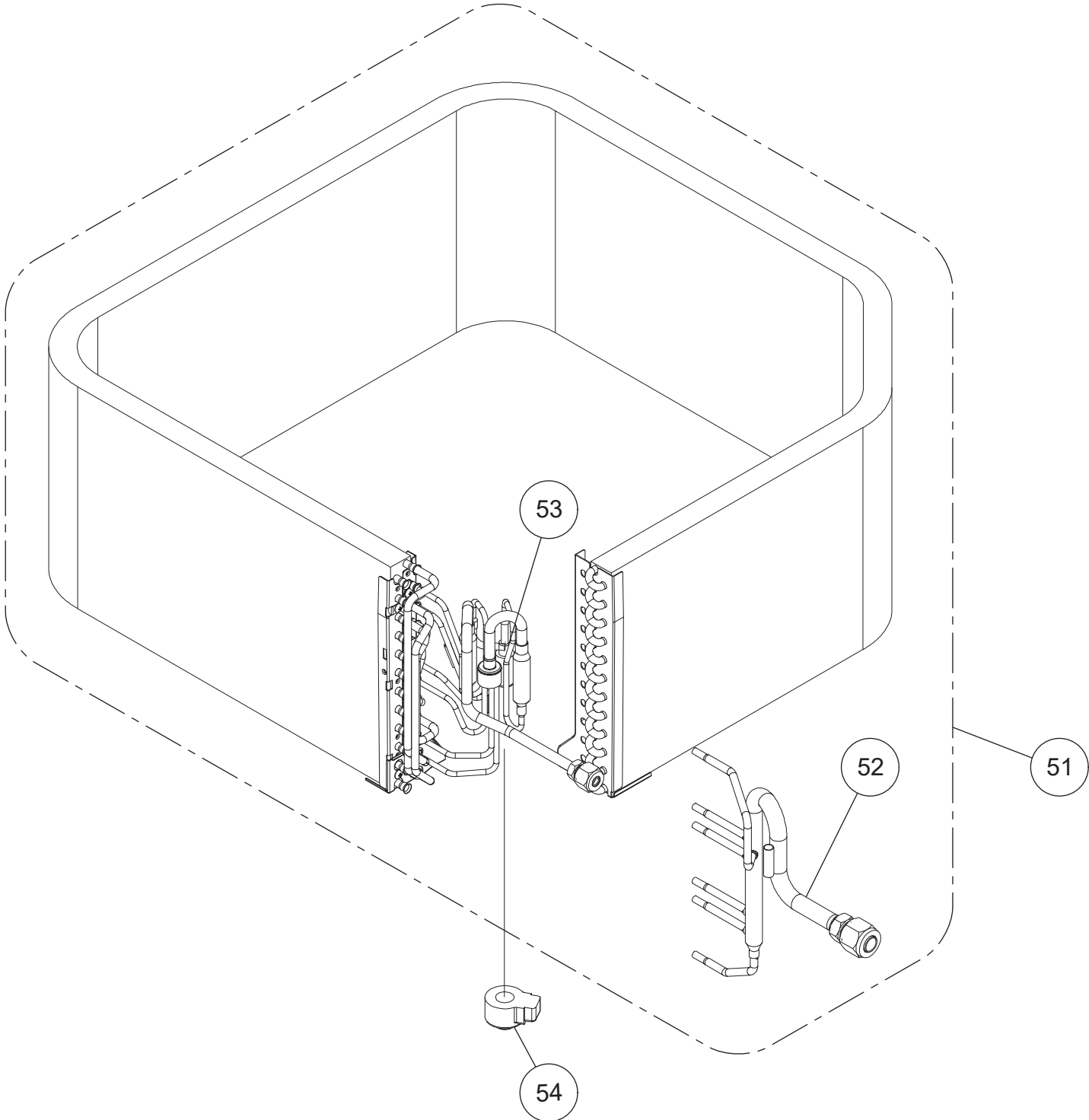


# PARTS

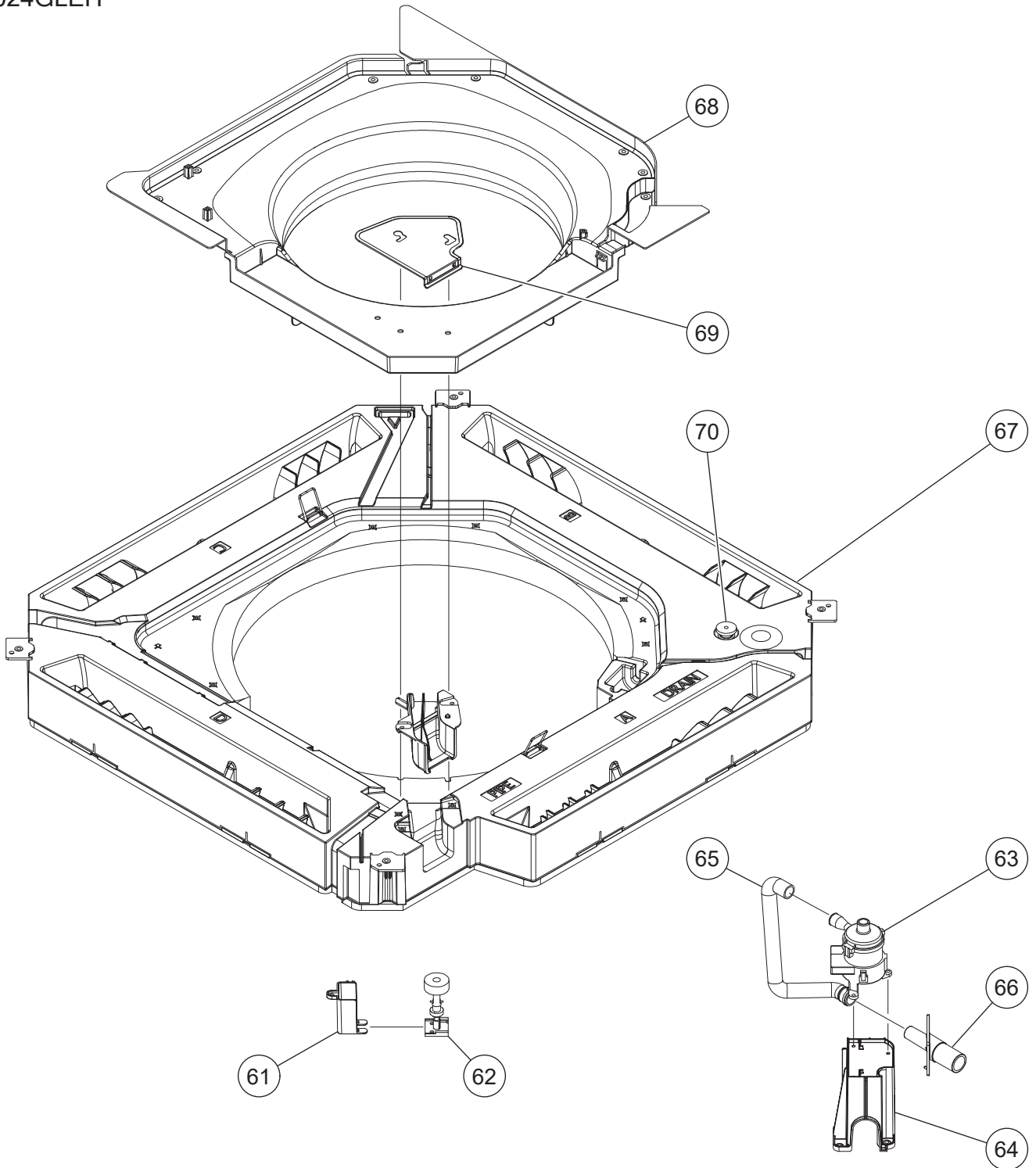
AUXK018GLEH  
AUXK024GLEH



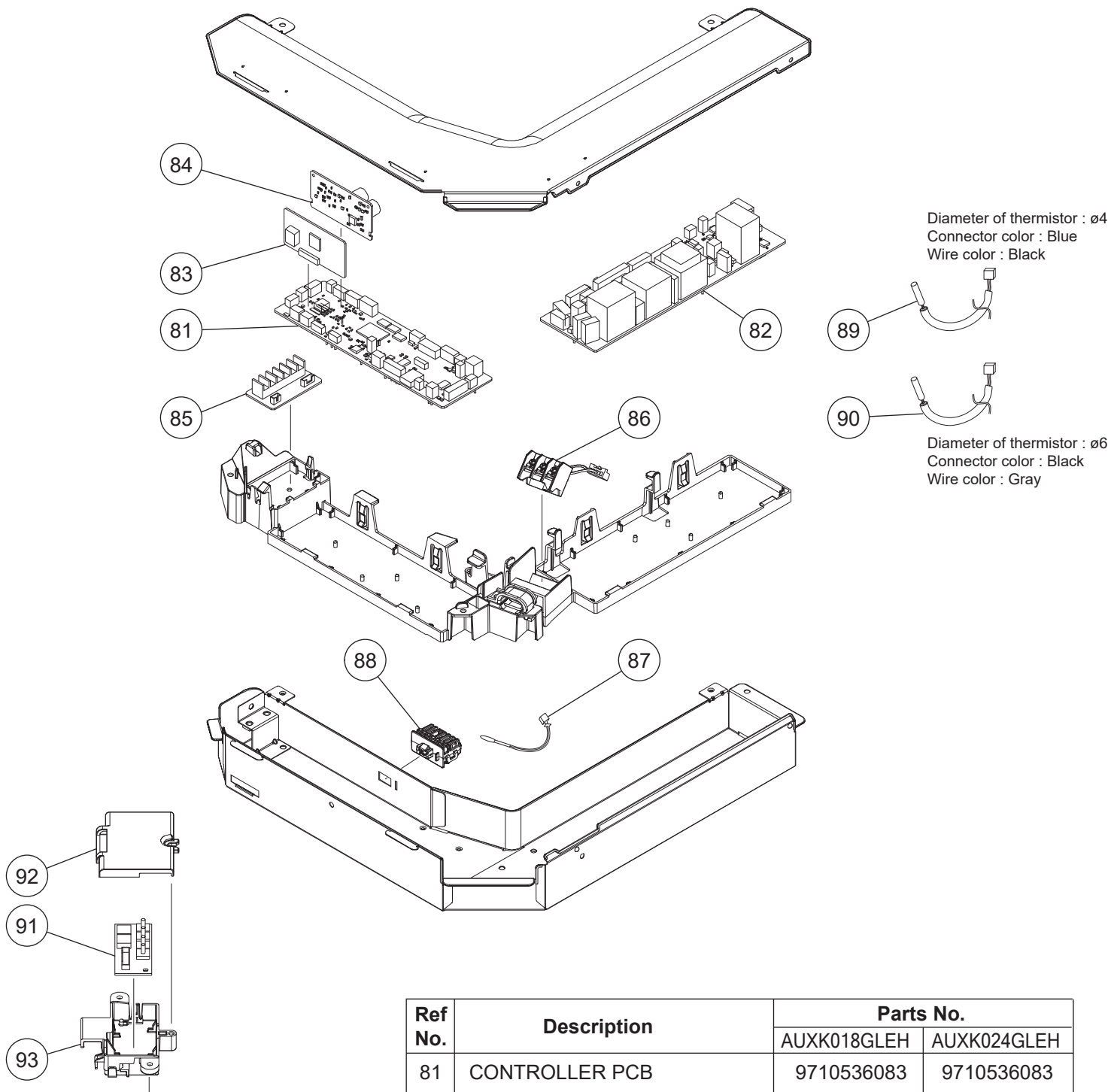
Ref No.	Description	Parts No.	
		AUXK018GLEH	AUXK024GLEH
41	Cabinet A	9381407002	9381407002
42	Cabinet B Assy	9381786008	9381786008
43	Hook A	9381384006	9381384006
44	Hook B	9381385003	9381385003
45	Turbo Fan Assy	9381303007	9381303007
46	DC Motor Assy	9381912001	9381912001



Ref No.	Description	Parts No.	
		AUXK018GLEH	AUXK024GLEH
51	EVAPORATOR TOTAL ASSY	9378580619	9378580626
52	COUPLING PIPE ASSY	9321623103	9321623110
53	EXPANSION VALVE	9970160011	9970160011
54	COIL (EXPANSION VALVE)	9970101106	9970101106



Ref No.	Description	Parts No.	
		AUXK018GLEH	AUXK024GLEH
61	Float Switch Holder	9381605002	9381605002
62	Float Switch	9900465056	9900465056
63	Pump Assy	9900890001	9900890001
64	Drain Pump Holder	9381342006	9381342006
65	Drain Hose Assy	9381914005	9381914005
66	Drain Port	9378213012	9378213012
67	Drain Pan Sub Assy	9381789009	9381789009
68	Bell Mouth	9381345007	9381345007
69	Wire Cover	9381394005	9381394005
70	Drain Cap	9375502010	9375502010
	Drain Hose	9379665001	9379665001
	Panel Hook	9375671013	9375671013



Ref No.	Description	Parts No.	
		AUXK018GLEH	AUXK024GLEH
81	CONTROLLER PCB	9710536083	9710536083
82	POWER SUPPLY PCB	9710022029	9710022029
83	COMMUNICATION PCB	9707774023	9707774023
84	COMMUNICATION PCB (RC)	9710019005	9710019005
85	TERMINAL PCB	9707736014	9707736014
86	TERMINAL	9900720049	9900720049
87	ROOM THERMISTOR	9900822002	9900822002
88	ROOM THERMISTOR HOLDER	9381348008	9381348008
89	PIPE THERMISTOR (INLET)	9900622015	9900622015
90	PIPE THERMISTOR (OUTLET)	9900623012	9900623012
91	SWITCH PCB	9707732030	9707732030
92	SWITCH BOX COVER	9382480004	9382480004
93	SWITCH BOX	9382479008	9382479008