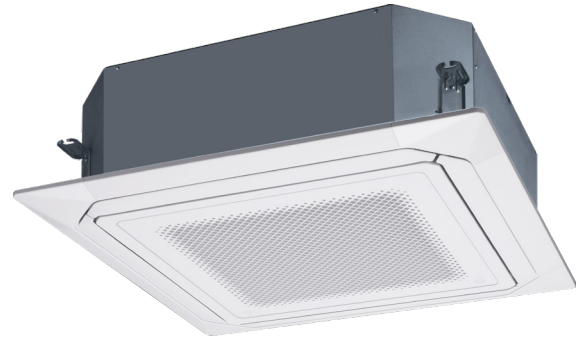


AUXK034GLEH

Please visit our webstore for full product and technical documentation 

| | | |
|---|------------------------|----------------|
| Unit Type | Circular Flow Cassette | |
| Remote Controller | Option | |
| Nominal Cooling Capacity | (kW) | 10.0 |
| UK Total Cooling Capacity | (kW) | 7.4 |
| UK Sensible Cooling Capacity | (kW) | 5.9 |
| Nominal Heating Capacity | (kW) | 10.4 |
| UK Heating Capacity | (kW) | 11.2 |
| Height | (mm) | 288 |
| Width | (mm) | 840 |
| Depth | (mm) | 840 |
| Weight | (kg) | 29.5 |
| Grille | UTGUKYCW | |
| Grille Dimensions (HxWxD) | (mm) | 53 x 950 x 950 |
| Grille Weight | (kg) | 6 |
| Airflow Rate - Cooling - High | (m ³ /h) | 1440 |
| Sound Pressure Level - Cooling - High | (dB(A)) | 39 |
| Sound Pressure Level - Cooling - Low | (dB(A)) | 35 |
| Refrigerant Type (Global Warming Potential) | R410A (2,088) | |
| Liquid Pipe Size | 3/8" | |
| Gas Pipe Size | 5/8" | |
| Unit Power Supply | 1Ph-230V-50Hz | |



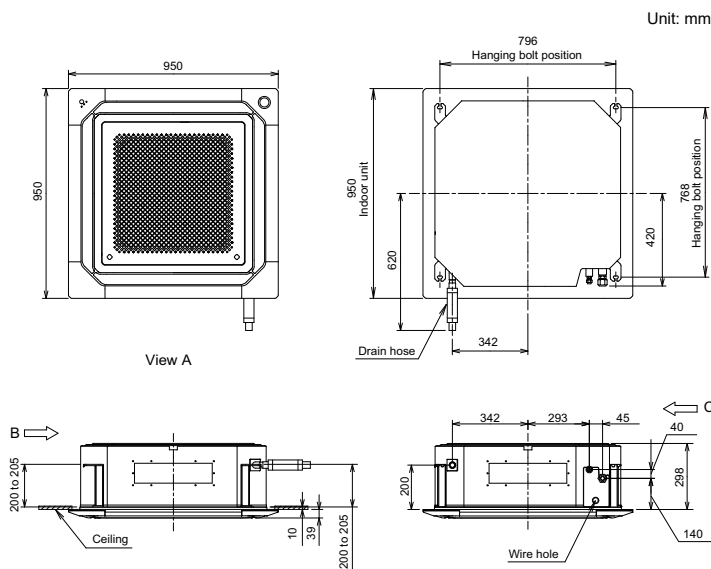
Document Downloads

- [Air Distribution](#)
- [Airflow](#)
- [Cooling Capacity](#)
- [Dimensional Drawing](#)
- [Electrical Characteristics](#)
- [Heating Capacity](#)
- [Installation Manual](#)
- [Noise Curve](#)
- [Operation Manual](#)

- [Product Image](#)
- [Spare Parts List All Pages](#)
- [Specifications](#)
- [Wiring Diagram](#)

Related Items

- [UTGUKYCW](#) 360 Cassette Grille
- [UTZVXRA](#) Fresh Air Intake Kit for Cassette
- [UTYRNRYZ5](#) Touch Screen Remote Controller
- [UTYRCRYZ1](#) Compact Simple Remote controller
- [UTYRSRY](#) Simple Remote Controller (with Master Control)
- [UTYRHRY](#) Simple Remote Controller (without Master Control)
- [UTYLNHY](#) Wireless Remote Controller
- [UTYTF SXZ1](#) Wireless LAN interface
- [UTYSHZXC](#) Human Sensor for Circular Flow Cassette
- [UTYLBH XD](#) IR Receiver Kit for Circular Flow Cassette



*Specifications and design are subject to change without notice for further improvement.
 *Actual products' colors may be different from the colors shown in this printed material.

Distributed by :

FUJITSU GENERAL AIR CONDITIONING (UK) LIMITED
 Unit 150, Centennial Park, Centennial Avenue, Elstree, Borehamwood, Herts, WD6 3SG

www.fujitsu-general.com/uk

sales@fgac.fujitsu-general.com

Tel: +44 (0) 208 731 3450 Fax: +44 (0) 208 731 3451