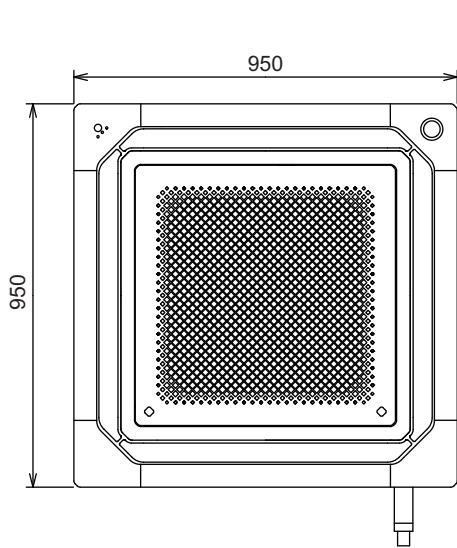
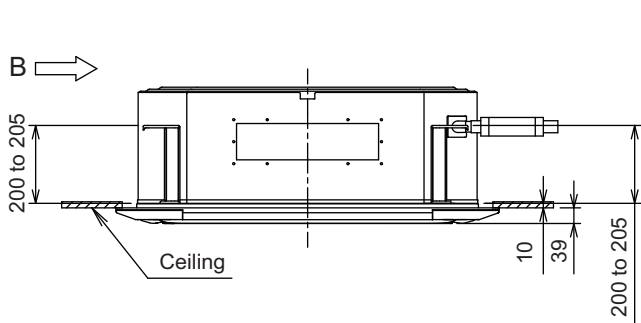
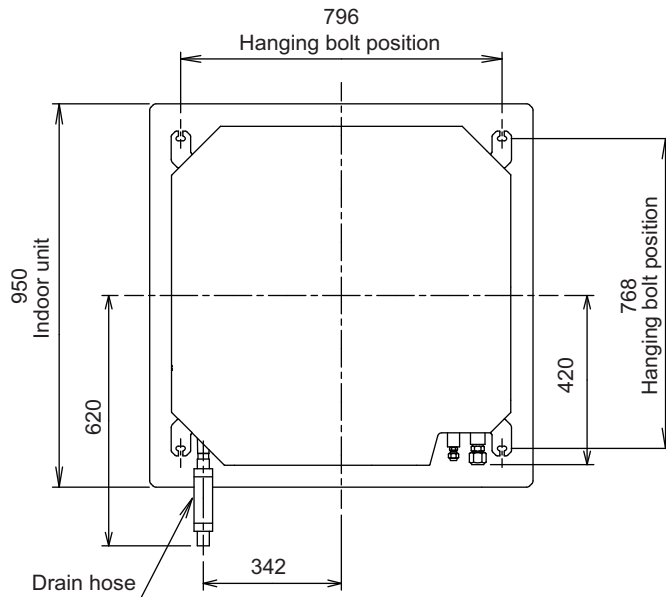


■ Models: AUXK018GLEH, AUXK024GLEH, AUXK030GLEH, AUXK034GLEH, AUXK036GLEH, AUXK045GLEH, and AUXK054GLEH

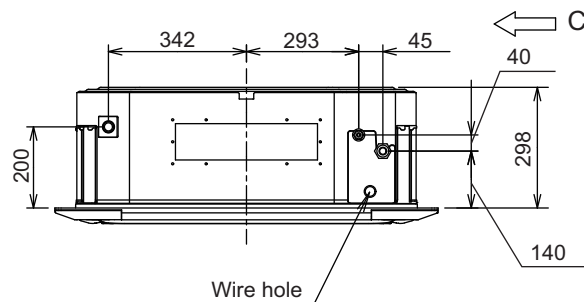
Unit: mm



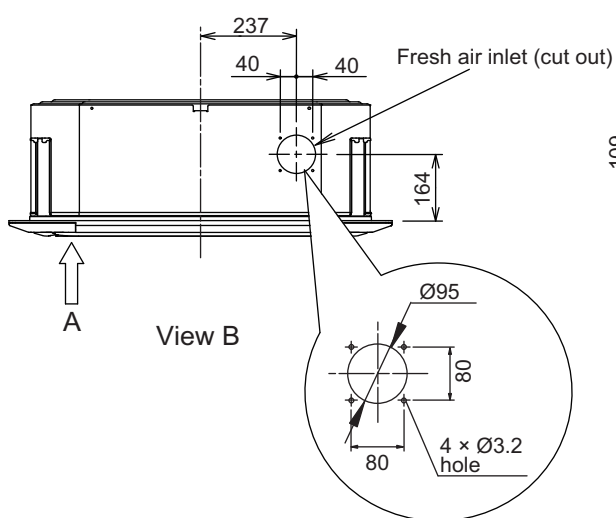
View A



View B

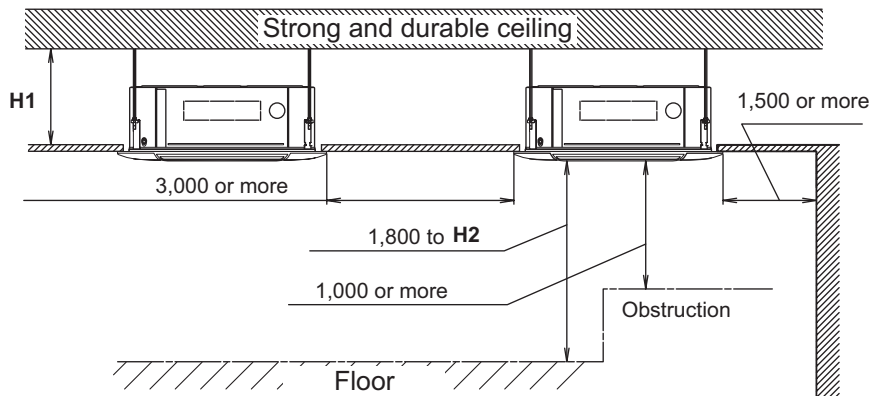


View C



Installation space requirement

Unit: mm



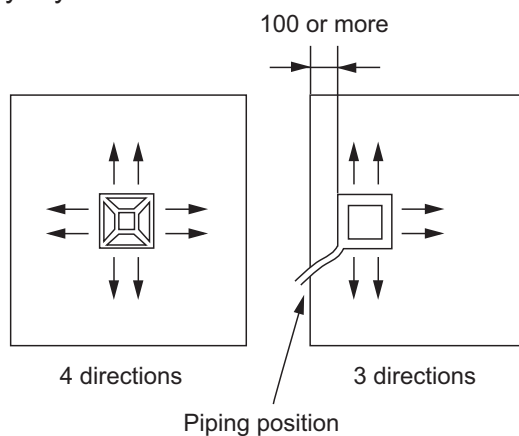
Model name	H1: Attic height (mm)
AUXM018-030GLEH	256 or more
AUXK018-054GLEH	298 or more

Be sure to make function setting with the remote controller according to the installed ceiling height.

H2: The maximum height from floor to ceiling (mm)			
Ceiling height	Model name		
	AUXM018-030GLEH	AUXK018-034GLEH	AUXK036-054GLEH
Standard	3,000	3,200	
High ceiling	3,500	3,600	4,200

Installation notices

- When installing the indoor unit, be careful about the maintenance space.
- To set "3-direction", Air outlet shutter plate (option) must be installed, and the "outlet-direction" need to be switched to "3-way" by the remote controller.



- In 3-way outlet mode, changing of ceiling height setting by function setting 20 is prohibited. (Ceiling height setting [function setting 20] is allowed to be changed only in 4-way outlet mode.)
- Use the Insulation kit for high humidity (option), when the condition under the roof is over 80% in humidity and over 30°C in temperature. Otherwise, there is a risk of condensation on the ceiling.