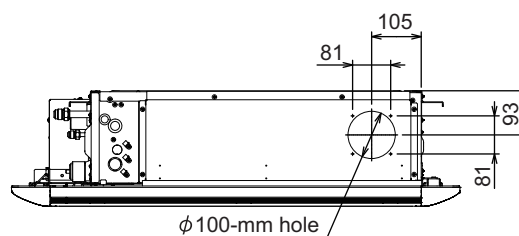
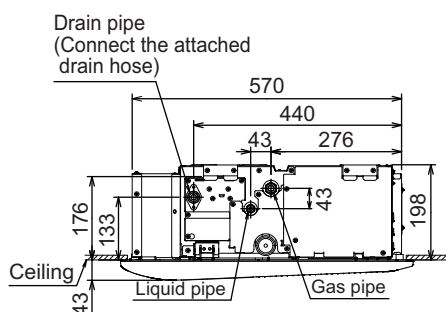
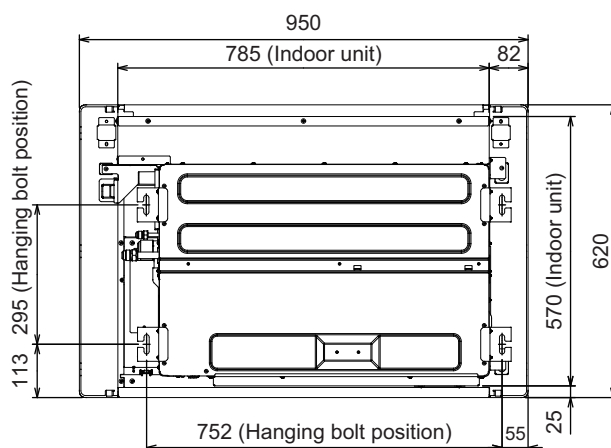


## 4-5. One way flow cassette type

### ■ Models: AUXV004GLEH, AUXV007GLEH, AUXV009GLEH, and AUXV012GLEH

Unit: mm



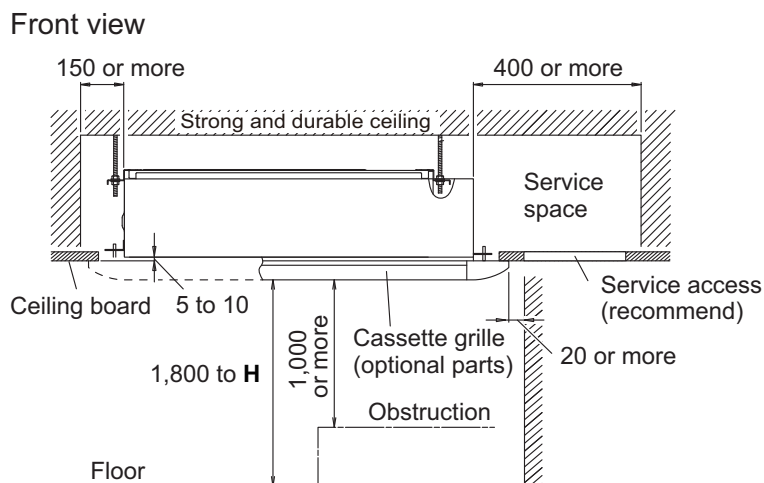
INDOOR  
UNITS

INDOOR  
UNITS

## ■ Installation space requirement

Provide sufficient installation space for product safety.

Unit: mm



Be sure to make function setting with the remote controller according to the installed ceiling height.

Ceiling height	H: The maximum height from floor to ceiling (mm)
Standard	2,700
High ceiling	3,200

Right side view

