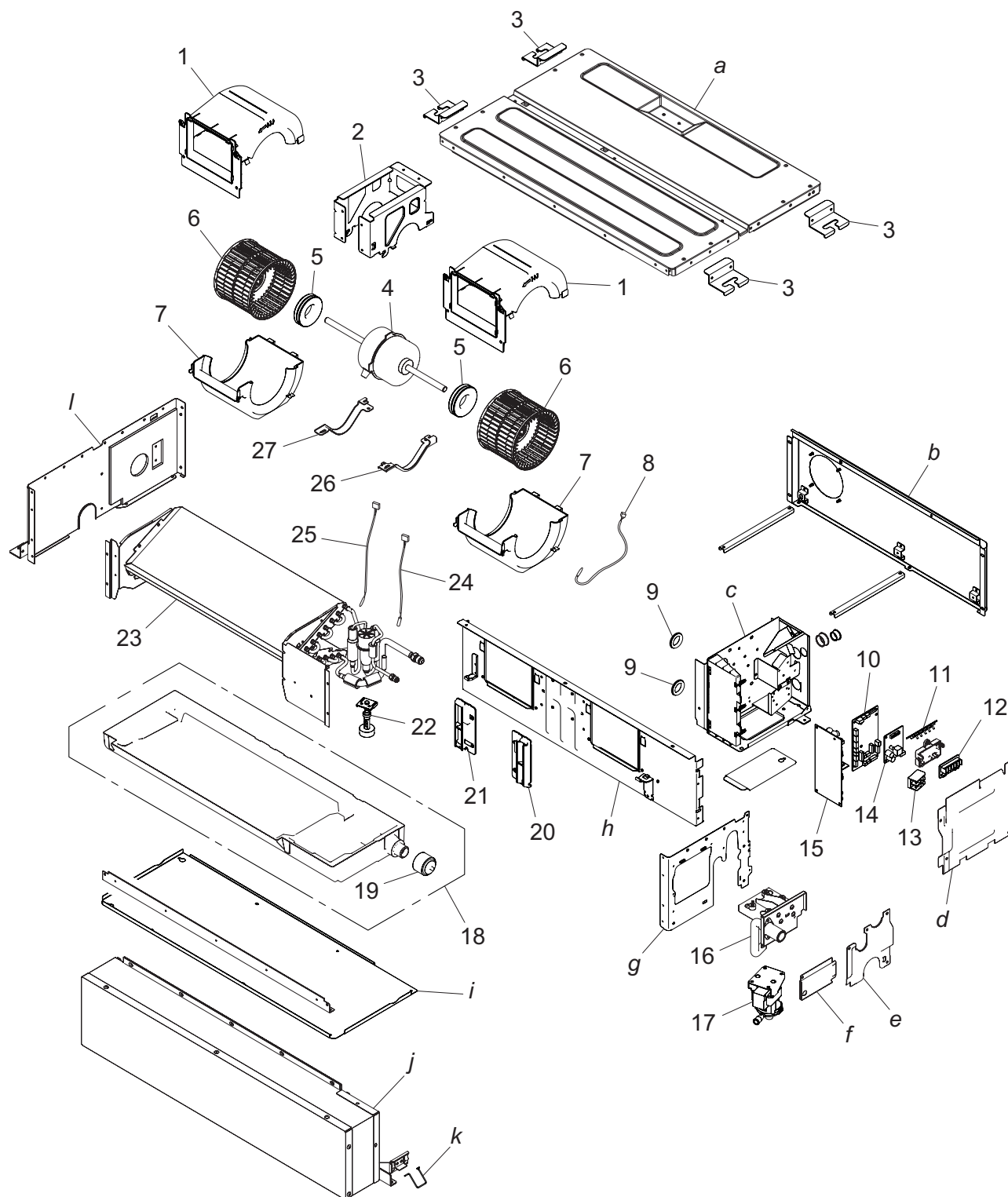


3. Indoor unit parts list

3-1. Models: AUXV004GLEH, AUXV007GLEH, AUXV009GLEH, and AUXV012GLEH

■ Chassis



Item no.	Part no.	Part name	Service part
1	9381677016	Casing U	◆
2	9381675005	Motor mount assy	◆
3	9381659005	Hook metal	◆
4	9379047203	Motor sub assy	◆
5	9383443008	Rubber (Vibration proof)	◆
6	9379570015	Sirocco fan assy	◆
7	9381676002	Casing B	◆
8	9900653033	Thermistor (Room)	◆
9	9352173011	Cap (Power)	◆
10	9711039293	Main PCB (004, 007, and 009 models)	◆
	9711039309	Main PCB (012 model)	◆
11	9707732030	Switch PCB	◆
12	9708605012	Terminal PCB	◆
13	9703873027	Terminal (2P)	◆
14	9709373026	Communication PCB	◆
15	9711356093	Power supply PCB	◆
16	9381927005	Drain pump panel sub assy	◆
17	9900472061	Pump assy	◆
18	9381930159	Drain pan sub assy (004 model)	◆
	9381930142	Drain pan sub assy (007, 009, and 012 models)	◆
19	9358746004	Drain cap	◆
20	9381831005	Air guide L	◆
21	9381832002	Air guide R	◆
22	9900465063	Float switch	◆
23	9381933501	Evaporator total assy (004 model)	◆
	9381933518	Evaporator total assy (007 and 009 models)	◆
	9381933525	Evaporator total assy (012 model)	◆
24	9900881030	Thermistor (Pipe [out])	◆
25	9900509002	Thermistor (Pipe [in])	◆
26	9381669004	Motor band L	◆
27	9381670000	Motor band R	◆
—	9709197035	Wire with connector (CN306 on Communication PCB—CN501 on Terminal PCB)	◆
—	9709199022	Wire with connector (CN206 on Main PCB—CN102 on Power supply PCB)	◆
—	9709200025	Wire with connector (CN261 on Main PCB—CN104 on Power supply PCB)	◆
—	9707853070	Wire with connector (CN800 on Main PCB—CN601 on Switch PCB)	◆
—	9710756009	Wire with connector (CNC01 on Main PCB—CN502 on Terminal PCB)	◆
<i>a</i>	—	Top panel sub assy	—
<i>b</i>	—	Cabinet panel sub assy	—
<i>c</i>	—	Control box sub assy	—
<i>d</i>	—	Control box cover	—
<i>e</i>	—	Pipe panel	—
<i>f</i>	—	Window panel	—
<i>g</i>	—	Side panel R sub assy	—
<i>h</i>	—	Separate wall assy	—
<i>i</i>	—	Main panel	—
<i>j</i>	—	Air duct assy	—
<i>k</i>	—	Panel hook	—
<i>l</i>	—	Side panel L sub assy	—