

AUXV007GLEH

Please visit our webstore for full product and technical documentation

Unit Type	One Way Cassette	
Remote Controller	Option	
Nominal Cooling Capacity (kW)		2.2
UK Total Cooling Capacity (kW)		1.6
UK Sensible Cooling Capacity (kW)		1.4
Nominal Heating Capacity (kW)		2.6
UK Heating Capacity (kW)		2.8
Height (mm)		198
Width (mm)		785
Depth (mm)		570
Weight (kg)		19
Grille	UTGUNYAW	
Grille Dimensions (HxWxD) (mm)	43 x 950 x 620	
Grille Weight (kg)	6.5	
Airflow Rate - Cooling - High (m3/h)	550	
Sound Pressure Level - Cooling - High (dB(A))	42	
Sound Pressure Level - Cooling - Low (dB(A))	33	
Refrigerant Type (Global Warming Potential)	R410A (2,088)	
Liquid Pipe Size	1/4"	
Gas Pipe Size	3/8"	
Unit Power Supply	1Ph-230V-50Hz	



Document Downloads

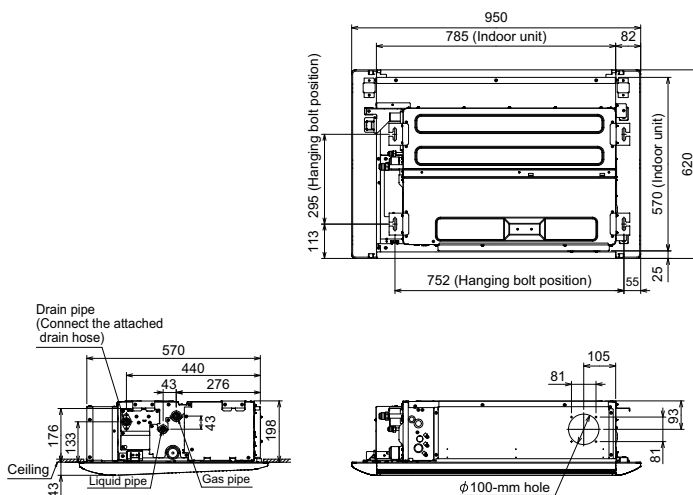
- [Air Distribution](#)
- [Airflow](#)
- [Controls & Accessories](#)
- [Dimensional Drawing](#)
- [Installation Manual](#)
- [Noise Curve](#)
- [Operation Manual](#)
- [Product Image](#)
- [Spare Parts List All Pages](#)

- [Specifications](#)
- [Wiring Diagram](#)

Related Items

- [UTGUNYAW](#) 1 Way Blow Cassette Grille (size 4 to 12 IU's)
- [UTYRNRYZ5](#) Touch Screen Remote Controller
- [UTYRCRYZ1](#) Compact Simple Remote controller
- [UTYRSRY](#) Simple Remote Controller (with Master Control)
- [UTYRHY](#) Simple Remote Controller (without Master Control)
- [UTYLNHY](#) Wireless Remote Controller

Unit: mm



*Specifications and design are subject to change without notice for further improvement.
 •Actual products' colors may be different from the colors shown in this printed material.