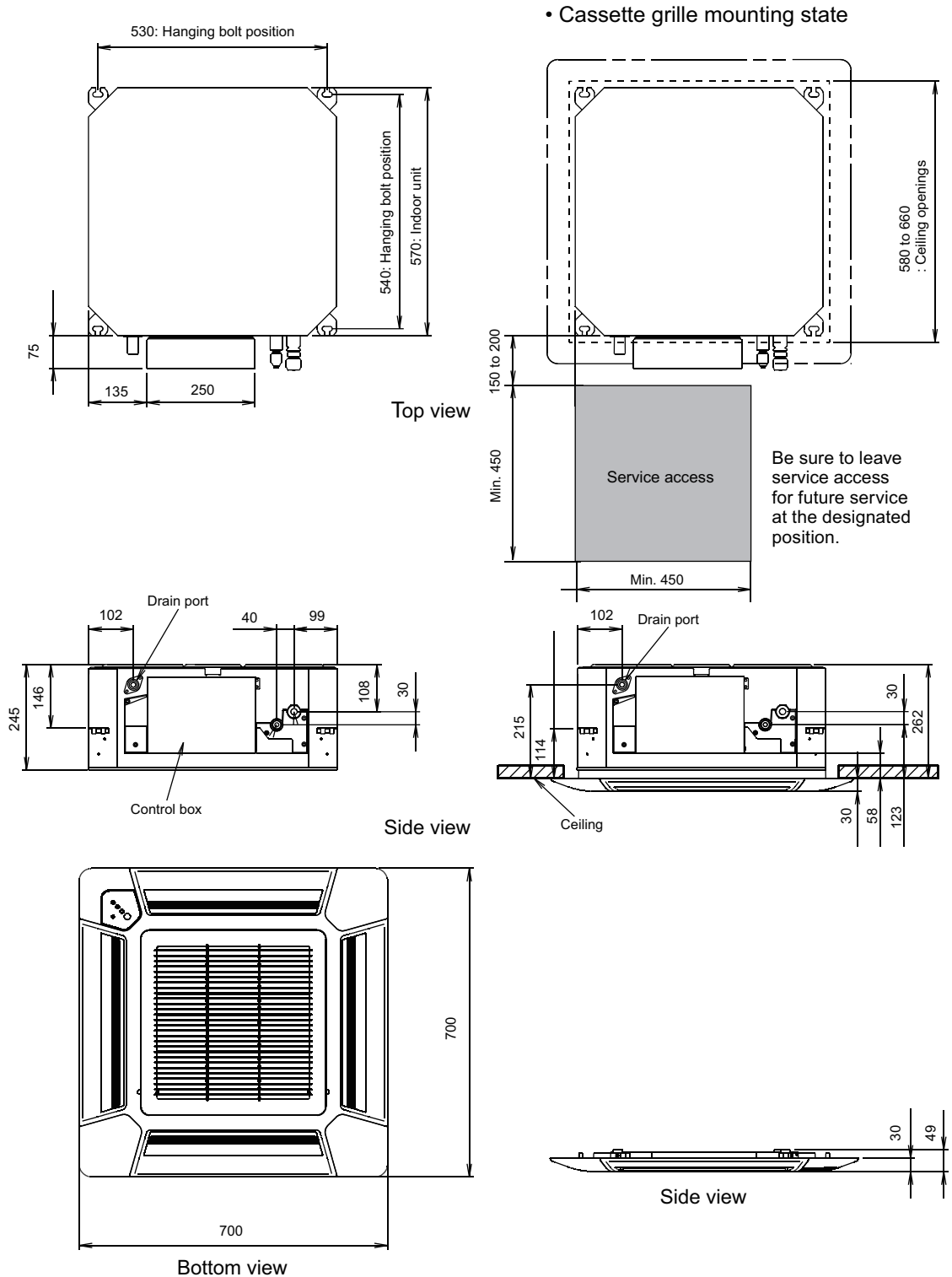


2. Dimensions

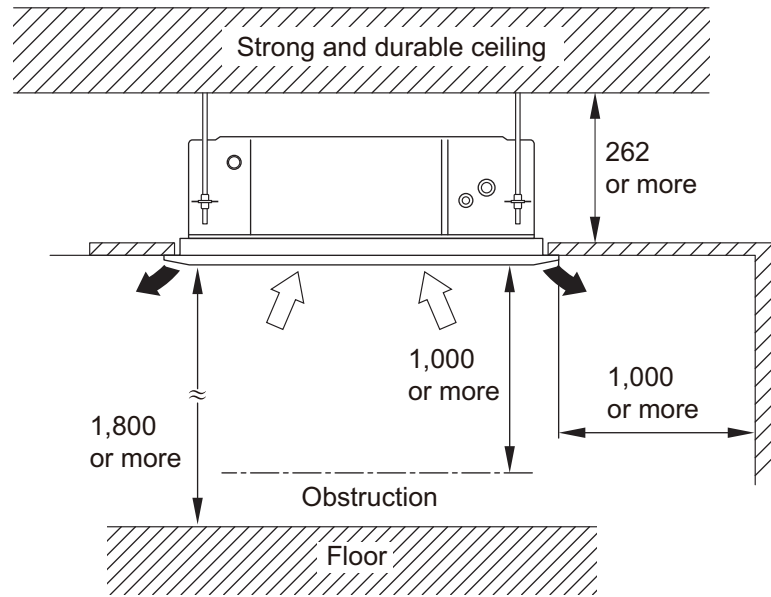
2-1. Models: AUYG18LVLB and AUYG24LVLA

Unit: mm



2-2. Installation space requirement

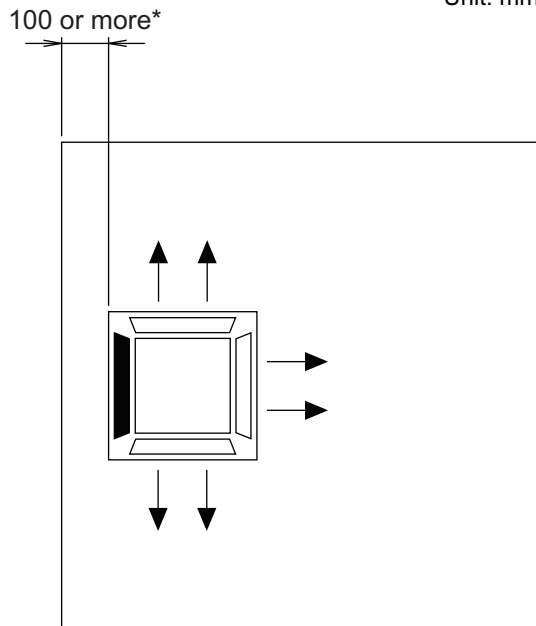
Unit: mm



Maximum height from floor to ceiling (Unit: mm)	
Standard	2,700
High ceiling	3,000

3-way direction setting:

Unit: mm



NOTES:

- To set "3-direction", optional Air outlet shutter plate (UTR-YDZB) must be installed, and the "outlet-direction" need to be switched to "3-way" by remote controller.
*When installing the indoor unit, be careful about the maintenance space.
- The ceiling height cannot be set in the 3-way outlet mode. Therefore, ceiling height setting change by function setting 20 is prohibited. For details, refer to "[Contents of function setting](#)" on page 29.