

8. External input and output

| Connector | Input | Output | Remarks |
|-----------|--------------------------------|--------------------------|---|
| CN102 | Control input (Operation/Stop) | — | See external input/output settings for details. |
| CN103 | — | Operation status output | |
| CN6 | — | Fresh-air control output | |

8-1. External input

- “Operation/Stop” mode or “Forced stop” mode can be selected with function setting of indoor unit.
- A twisted pair cable (22AWG) should be used. Maximum length of cable is 150 m.
- The wire connection should be separate from the power cable line.

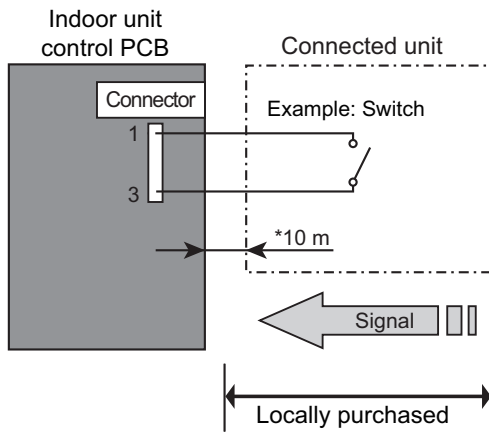
■ Control input (Operation/Stop or Forced stop)

The air conditioner can be remotely operated by means of the following on-site work.

Unit operation is started at the following contents by adding the contact input of a commercial on/off switch to a connector on the external control PCB and turning it on.

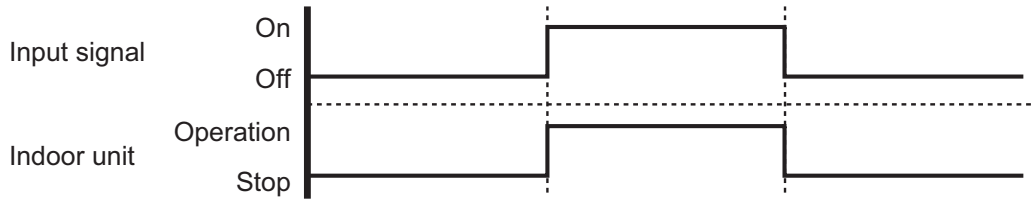
| Unit operation | Initial setting after power is on | Starting mode other than initial setting |
|-----------------------|------------------------------------|--|
| Operation mode | Auto changeover | Mode at previous operation |
| Set temperature | 24 °C | Temperature at previous operation |
| Airflow mode | AUTO | Mode at previous operation |
| Air direction (swing) | Standard air direction (swing OFF) | Air direction at previous operation |

● Circuit diagram example

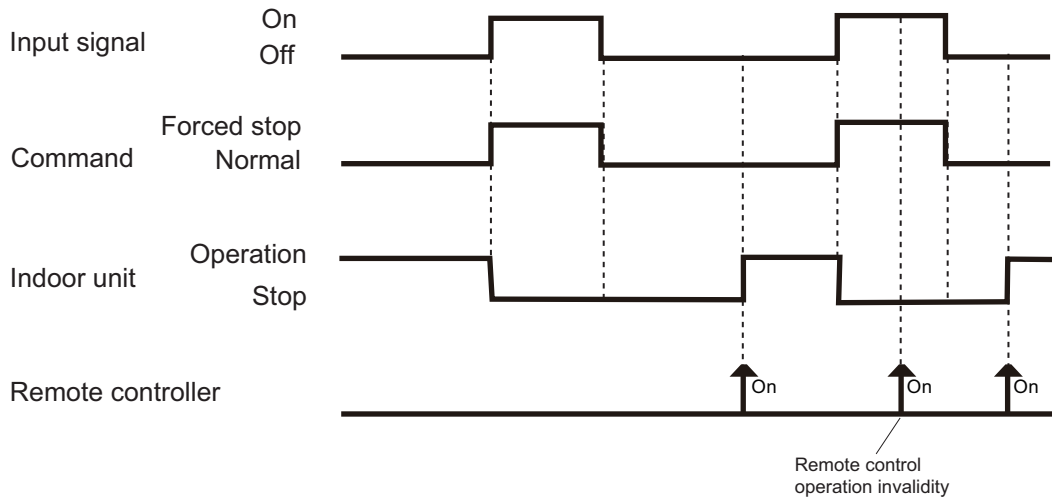


- Contact capacity: DC 24 V or more, 10 mA or more.
- *: Make the distance from the PCB to the connected unit within 10 m.
- Use non-polar relays and switches.

- When function setting is "Operation/Stop" mode



- When function setting is "Forced stop" mode



● Optional part

| Part name | Model name | Exterior |
|----------------------|------------|-------------------------|
| External connect kit | UTY-XWZX | External input wire |

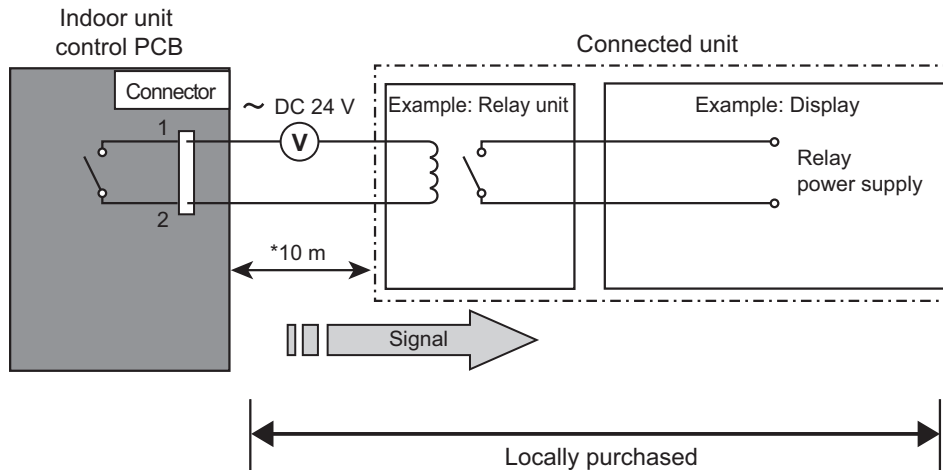
8-2. External output

With using external output function, operating status of this product can be transmitted to the external device, and also, this product can be inter-connected with the external device.

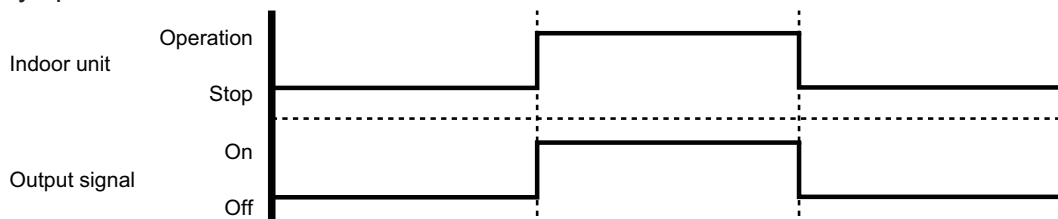
■ Operation status output

Air conditioner operation status signal can be output.


● Circuit diagram example



- *: Make the distance from the PCB to the connected unit within 10 m.
- Relay spec: Max. DC 24 V, 10 mA to less than 500 mA.



● Optional part

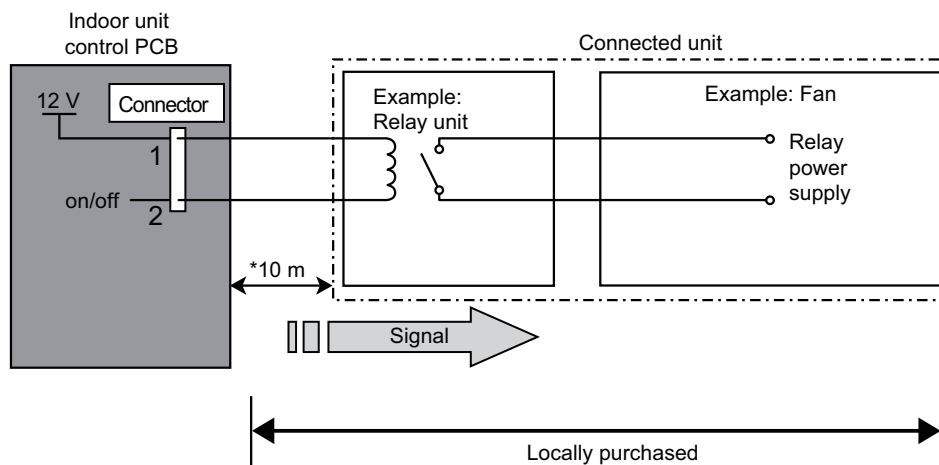
| Part name | Model name | Exterior |
|----------------------|------------|---|
| External connect kit | UTY-XWZX | External output wire  |

8-3. Fresh-air control output

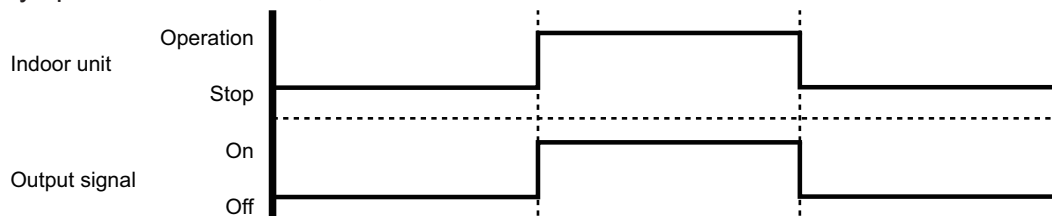
Signal linked to the indoor unit fan on can be output.

NOTE: In cold-air prevention control operation, the signal becomes off.


● Circuit diagram example



- *: Make the distance from the PCB to the connected unit within 10 m.
- Relay spec: Rated DC 12 V, 50 mA or less.



● Optional part

| Model name | Exterior |
|------------|---|
| UTZ-VXAA | Fresh-air output wire  |

NOTE: This wire is included in both Fresh air intake kit.