

# AIR CONDITIONER OPTIONAL PARTS

## Silver Ion Filter

# INSTALLATION MANUAL

For authorized service personnel only.



PART No. 9374633043-02

To access the online manual, scan the 2-dimensional barcode.

**ONLINE MANUALS**



[www.fujitsu-general.com/global/support/](http://www.fujitsu-general.com/global/support/)

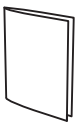

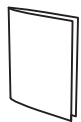
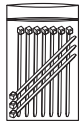
## 1. SAFETY PRECAUTIONS

<b>⚠ WARNING</b>	Indicates a potentially or imminently hazardous situation which, if not avoided, could result in death or serious injury.
<ul style="list-style-type: none"> <li>When installing the filter, please read this manual thoroughly.</li> <li>Before installation, be sure that all sources of power have been shut off.</li> <li>Do not turn on the power until all installation works is complete.</li> </ul>	

<b>⚠ CAUTION</b>	Indicates a potentially hazardous situation that may result in minor or moderate injury or damage to property.
<ul style="list-style-type: none"> <li>After the installation work is completed, perform a test run and check that there are no abnormalities.</li> <li>After checking the corresponding series in the combination table below, attach the "Silver ion filter" to the "Air-filter" or "Long-life filter".</li> <li>For installation, refer to the installation manual and operation manual attached to the indoor unit and ceiling panel.</li> <li>If you install Silver Ion Filter, please explain to the customer that "more feels cold airflow hits", "feels little change airflow", "performance becomes weaker", and "driving noise from the indoor unit becomes louder" at the start of heating operation.</li> <li>Instruct the customer to clean or replace the filter on a regular basis.</li> <li>Explain that you need to ask the store where you purchased the product to replace or remove the filter.</li> </ul>	

## 2. ACCESSORIES AND COMBINATION TABLE

### ■ Accessories

Name and shape	Q'ty	Name and shape	Q'ty	Name and shape	Q'ty	Name and shape	Q'ty
Maintenance guide 	1	Operation notes 	1	Installation manual 	1	Cable tie (Packed in a set of 10) 	Table below

### ■ Combination table

For the latest information on combinations, visit our website.

Applicable Series (*1)	Silver Ion Filter (Optional parts)								
	Model name	Filter size Width × Height × Thickness [Unit: mm]	Q'ty	Accessories	Q'ty				
Cassette	Compact 4-way Flow Series Compact & comfort	UTG-UF***-W	UTD-HFAA	350 x 125 x 6	1	Cable tie set (Packed in a set of 10)	1		
	Circular Flow Series Comfort for Large Room	UTG-UK***-W	UTD-HFRA	550 x 136 x 6	1		1		
	4-way Flow Series Comfort for Large Room	UTG-UG***-W							
Duct	Mini Duct Built-in Drain Pump (2-fan type)	UTD-NFTA (*2)	UTD-HFTA	70 x 290 x 6	2		Cable tie set (Packed in a set of 10)	2	
	Slim Duct Slim & Comfort (2-fan type)								
	Mini Duct Built-in Drain Pump (3-fan type)	UTD-NFTB (*2)	UTD-HFTB	70 x 390 x 6	2			3	
	Slim Duct Slim & Comfort (3-fan type)								
	Mini Duct Built-in Drain Pump (4-fan type)	UTD-NFTC (*2)	UTD-HFTC	70 x 290 x 6	2			Cable tie set (Packed in a set of 10)	1
	Slim Duct Slim & Comfort (4-fan type)			70 x 390 x 6	1				
	Medium Static Pressure Duct Compact & Comfort (1-fan type)	UTD-LFNC	UTD-HFNC	88 x 620 x 6	1				1
	Medium Static Pressure Duct Compact & Comfort (2-fan type)	UTD-LFNB UTD-LFDB	UTD-HFNB	88 x 420 x 6	2	2			
	Medium Static Pressure Duct Compact & Comfort (3-fan type)	UTD-LFNA UTD-LFDA	UTD-HFNA	88 x 620 x 6	2	2			
Medium Static Pressure Duct Standard	UTD-LF25NA	UTD-HFND	79 x 500 x 6	2	2				
High Static Pressure Duct	UTD-LF60KA	UTD-HFKB	126 x 420 x 6	2	2				
Big Duct	UTD-LFKA	UTD-HFKA	108 x 620 x 6	2	2				

\*1: Refer to each Installation manual for how to attach / detach the Air-filter.

\*2: The Air-filter may not be included depending on the country or region. If it is not included, contact the retailer.

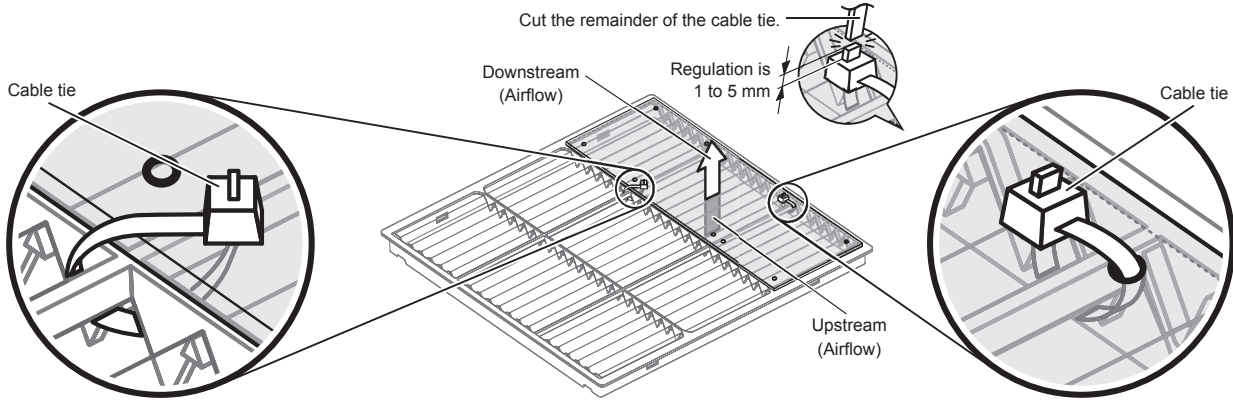
### 3. HOW TO ATTACH TO THE AIR-FILTER

#### ■ Installation on Air-filter (A)

- When fixing to intersecting frames
- Fasten the cable tie downstream

#### ■ Installation on Air-filter (B)

- When fixing to one frame
- Fasten the cable tie downstream

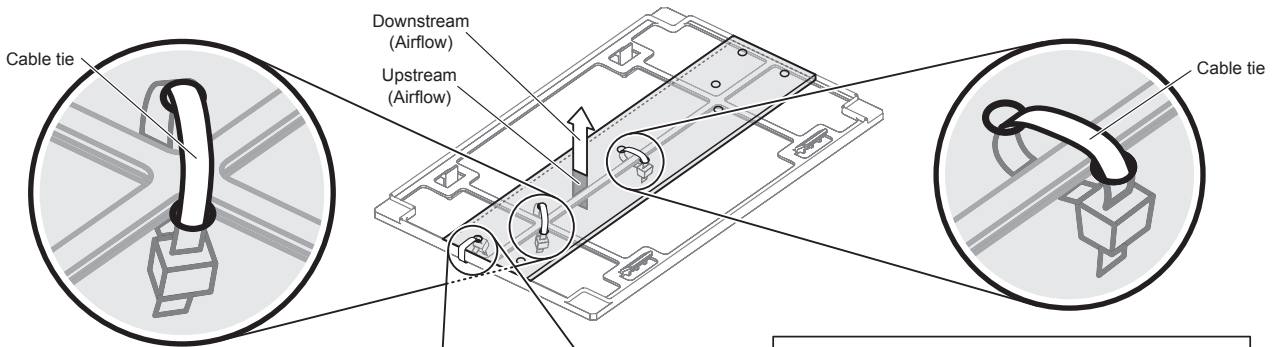


#### ■ Installation on Air-filter (C)

- When fixing to intersecting frames
- Fasten the cable tie upstream

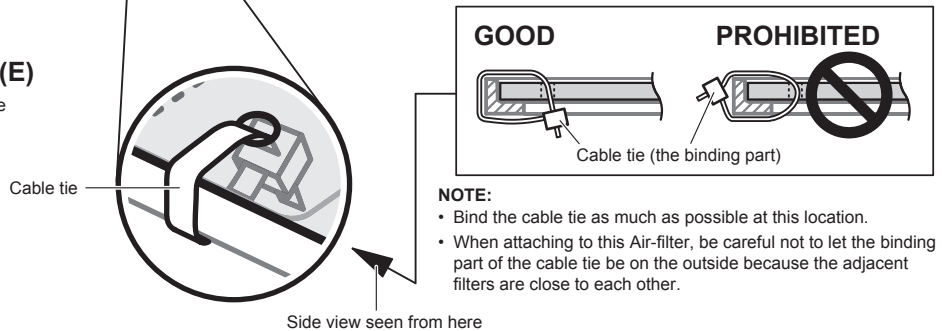
#### ■ Installation on Air-filter (D)

- When fixing to one frame
- Fasten the cable tie upstream



#### ■ Installation on Air-filter (E)

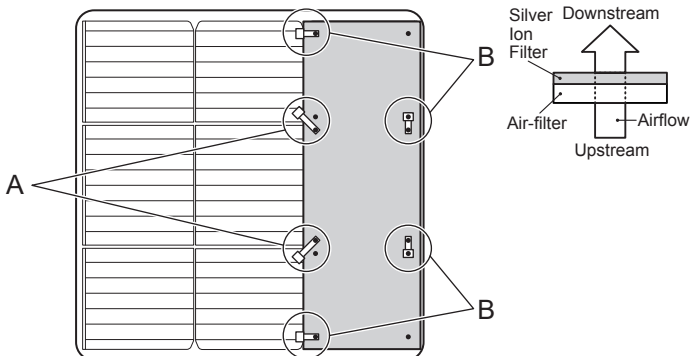
- When fastening at the edge of the frame
- Fasten the cable tie upstream



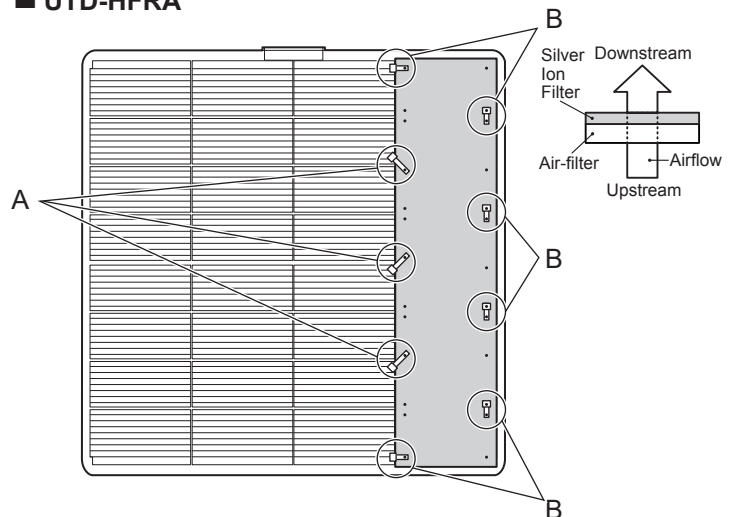
### 4. MOUNTING POSITION TO THE AIR-FILTER

#### 4.1. Cassette

##### ■ UTD-HFAA

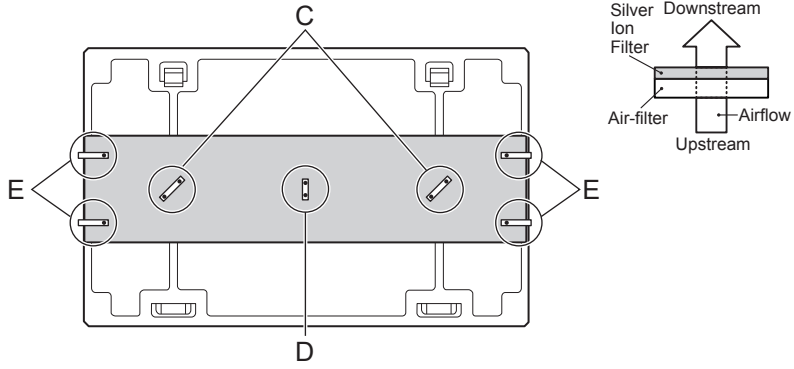


##### ■ UTD-HFRA

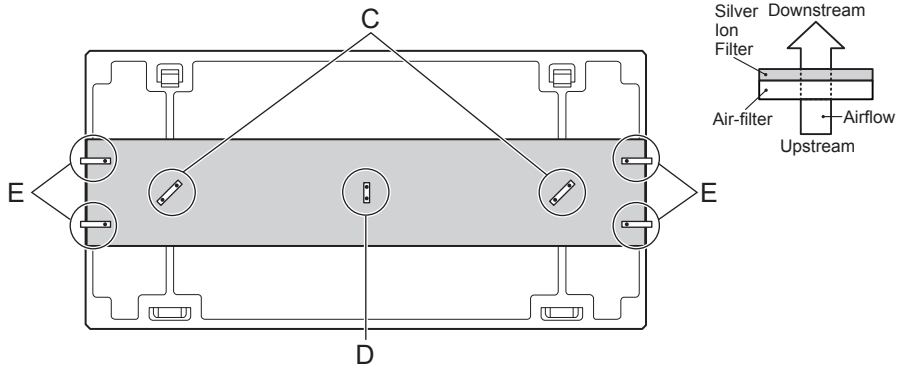


## 4.2. Duct

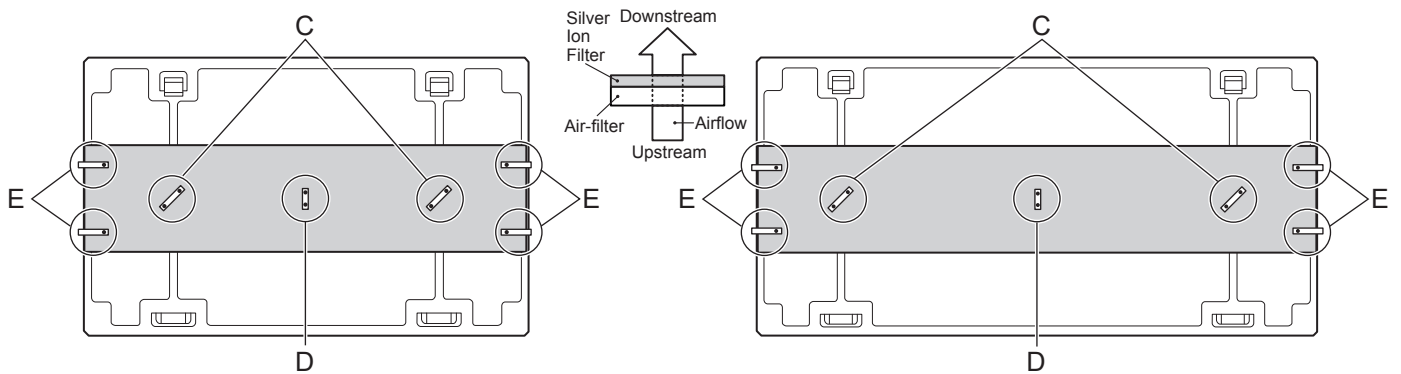
### ■ UTD-HFTA



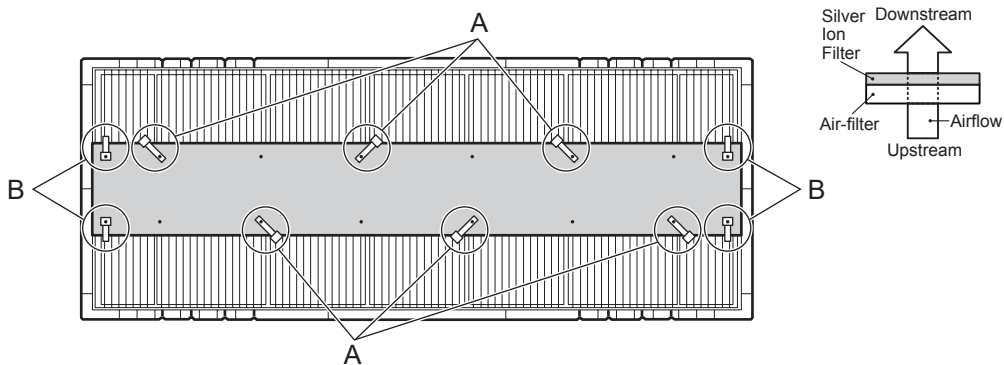
### ■ UTD-HFTB



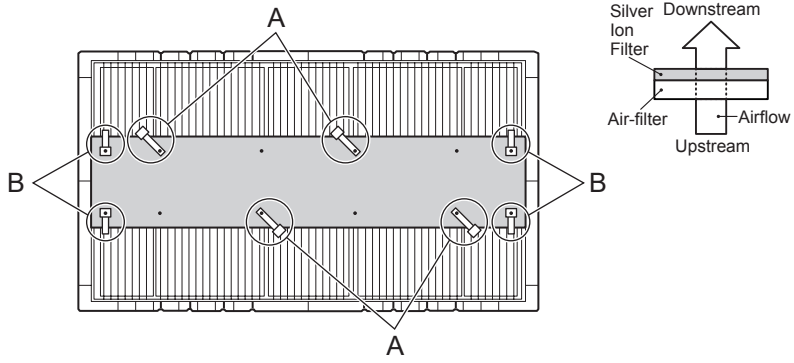
### ■ UTD-HFTC



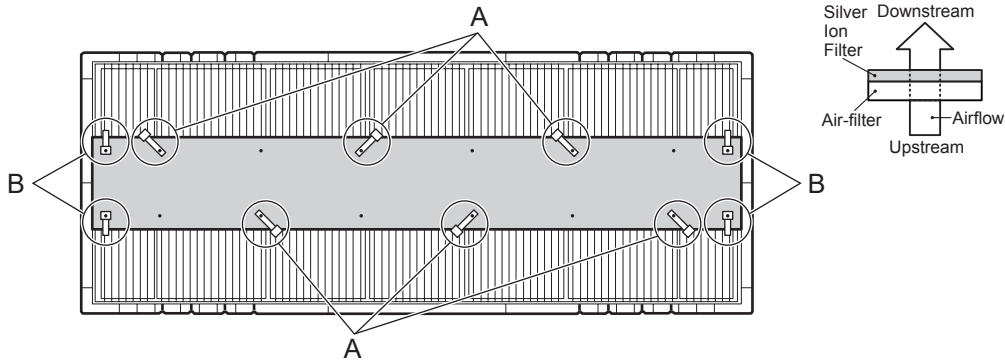
### ■ UTD-HFNC



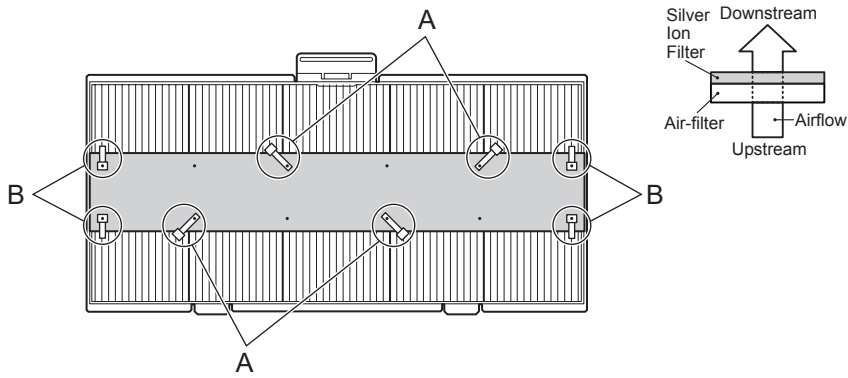
■ UTD-HFNB



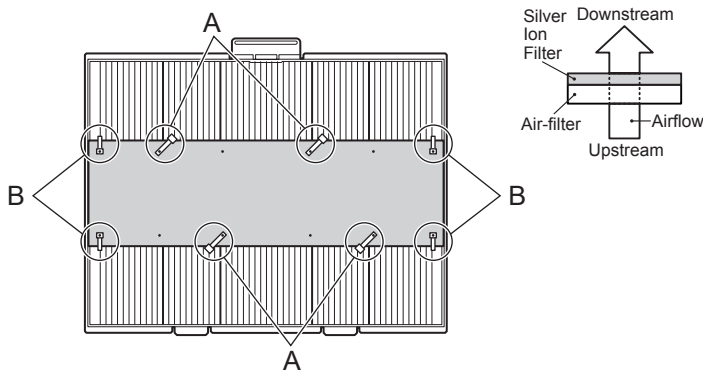
■ UTD-HFNA



■ UTD-HFND



■ UTD-HFKB



■ UTD-HFKA

