

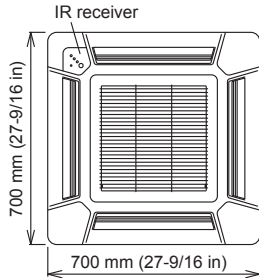
# CASSETTE GRILLE



# INSTALLATION MANUAL

For authorized service personnel only.

## Standard type



**UTG-UF\*B-W**

(IR receiver not attached)

**UTG-UF\*C-W**

(IR receiver attached)

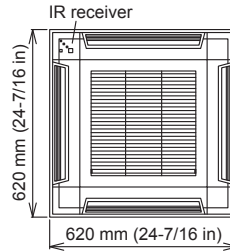
**UTG-UF\*D-W**

(IR receiver attached)

**CG-FFB**

(IR receiver attached)

## Grid type



**UTG-UF\*E-W**

(IR receiver attached)

**UTG-UF\*F-W**

(IR receiver attached)

## 1. SAFETY PRECAUTIONS

This manual relates to the mounting of the stopper for the intake grille. Please adhere to the instructions to ensure safety.

### ⚠ DANGER

This mark indicates procedures which, if improperly performed, are most likely to result in the death of or serious injury to the user or service personnel.

Never touch electrical components immediately after the power supply has been turned off. Electrical shock may occur. After turning off the power, always wait 5 minutes or more before touching electrical components.

### ⚠ WARNING

This mark indicates procedures which, if improperly performed, might lead to the death or serious injury of the user.

For the air conditioner to operate satisfactorily, install as outlined in this installation manual.

Do not turn on the power until all installation work is complete.

### ⚠ CAUTION

This mark indicates procedures which, if improperly performed, might possibly result in personal harm to the user, or damage to property.

The louver angle cannot be changed if the power is not on. (If moved by hand, it may be damaged.)

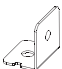
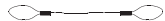
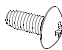

Please refer to the installation manual attached to the indoor unit during installation.

Let the customer keep this installation manual because it is needed when changing the direction of intake grille or the filter maintenance.

Do not suspend very heavy weights from the intake grille.

## 2. ACCESSORIES

The following installation parts are furnished. Use them as required.

Name and shape	Q'ty	Application
L-angle 	2	For mounting the hook wire to the intake grille
Hook wire 	2	For suspending the intake grille
Screw (pitch small) (M4 × 10 mm) 	2	For mounting the hook wire (for metals)
Screw (pitch large) (M4 × 10 mm) 	4	For mounting the L-angle and hook wire (for resins)

## 3. INSTALLATION PROCEDURE

### ⚠ CAUTION

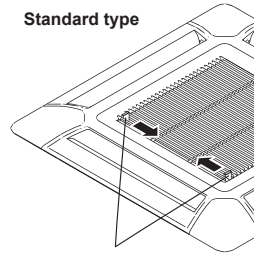
Please perform this operation before operating the attach the intake grille of the installation manual attached in the indoor unit.

Please ensure that the screw type is correct.

### 3.1. Detach the intake grille.

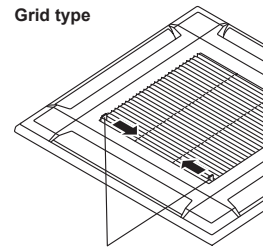
- Slide the 2 grille hook

Standard type



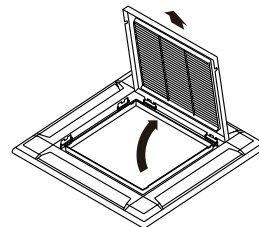
Grille hooks

Grid type



Grille hooks

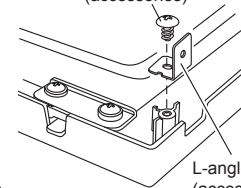
- Open the intake grille and remove.



### 3.2. Mount the L-angle at the 2 positions indicated in diagram shown below.

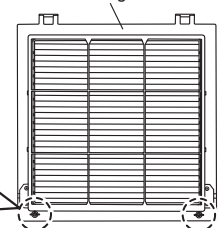
Tightening torque:  
0.8 to 1.2 N·m (7.1 to 10.6 lbf·in.)

Screw (pitch large)  
(accessories)

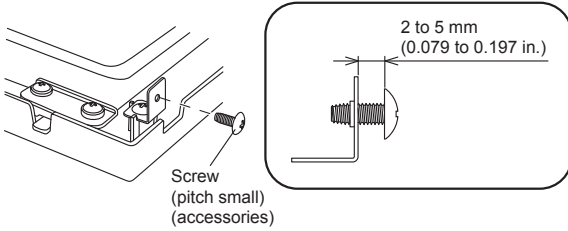


L-angle  
(accessories)

Intake grille

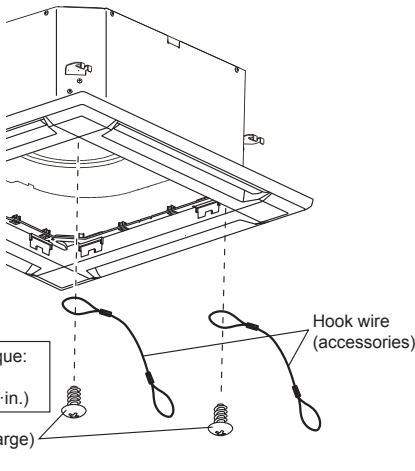
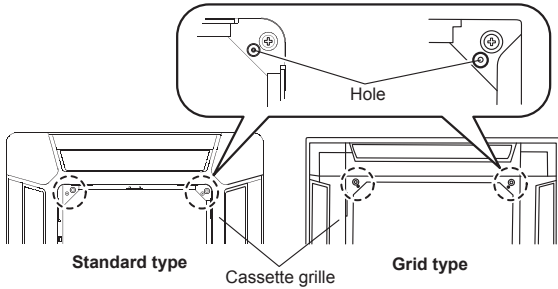


**3.3. Insert the screw temporarily to the L-angle (left and right 2 positions)**

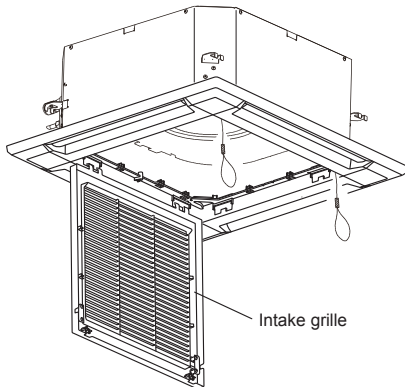


**3.4. Attach the hook wire at the 2 positions indicated in the cassette grille on the opening side of the intake grille. Tack the screw temporarily to the L-angle**

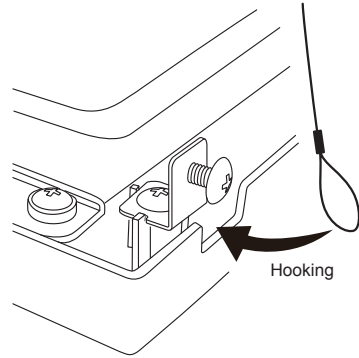
The intake grille can be rotated and installed 4 ways to suit the user's preference.



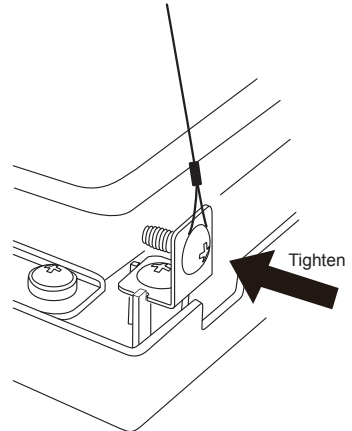
**3.5. Mount the intake grille**



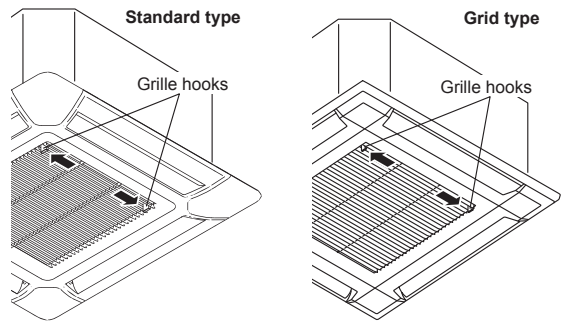
**3.6. Close the intake grille, and hook the loop of the hook wire to the attached screw at step 3.3. (left and right 2 positions).**



**3.7. Fasten the hook wire and tighten the screw till the end. (left and right 2 positions).**



**3.8. Close the intake grille so that the hook wire is not caught, and then, close the grille hook.**



**4. REMOVING PROCEDURE**

Follow steps 3.5. to 3.8. of the "3. INSTALLATION PROCEDURE" in the reverse.

- To change the direction of the intake grille, go back to step 3.4. of the "3. INSTALLATION PROCEDURE" and change the position of the hook wire.
- To clean the filter, go back to step 3.5. of the "3. INSTALLATION PROCEDURE".