



Decoration Panel INSTALLATION INSTRUCTION SHEET

(PART NO. 9378730014-02)

For authorized service personnel only.

DANGER	This mark indicates procedures which, if improperly performed, are most likely to result in the death of or serious injury to the user or service personnel.
WARNING	This mark indicates procedures which, if improperly performed, might lead to the death or serious injury of the user.
CAUTION	This mark indicates procedures which, if improperly performed, might possibly result in personal harm to the user, or damage to property.

DANGER

Never touch electrical components immediately after the power supply has been turned off. Electrical shock may occur. After turning off the power, always wait 5 minutes or more before touching electrical components.

CAUTION

The louver angle can not be changed if the power is not on. (If moved by hand, it may be damaged.)

STANDARD PARTS

The following installation parts are furnished.
Use them as required.

ACCESSORIES

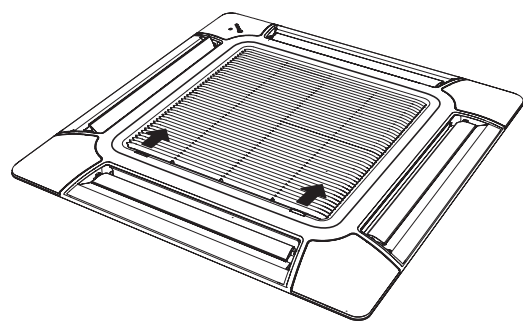
Name and Shape	Q'ty	Application
Hexigon Screw	4	For mounting decoration panel
Screw	4	For installing grille holding wire
Strap	4	For installing corner panel
Grille holding Wire	2	For installing intake grille

1

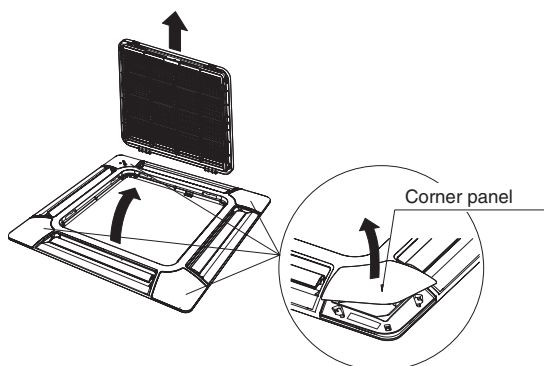
DECORATION PANEL INSTALLATION

1. REMOVE THE INTAKE GRILLE

- (1) Slide the 2 grille hook



- (2) Open the intake grille and remove.

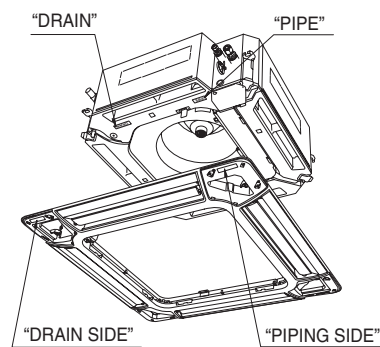


- (3) Remove the corner panel (4 Positions).

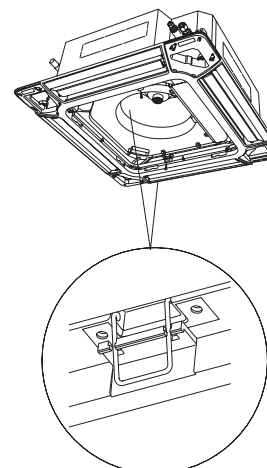
2. INSTALL PANEL TO INDOOR UNIT

When installing the main indoor unit, please refer to the instructions on supplied INSTALLATION INSTRUCTION SHEET.

- (1) Install the decoration panel on the indoor unit.
- Align the stamped marks on the decoration panel against the pipe and the drain of the indoor unit.



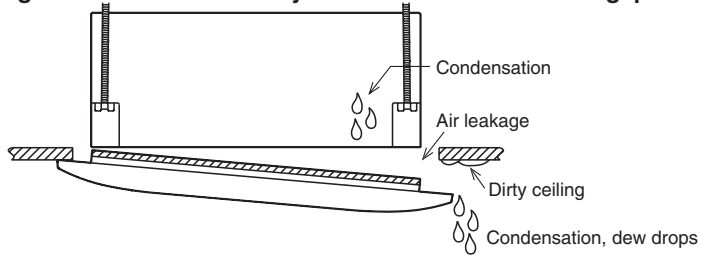
- Temporarily tighten at 2 positions with metal fittings.





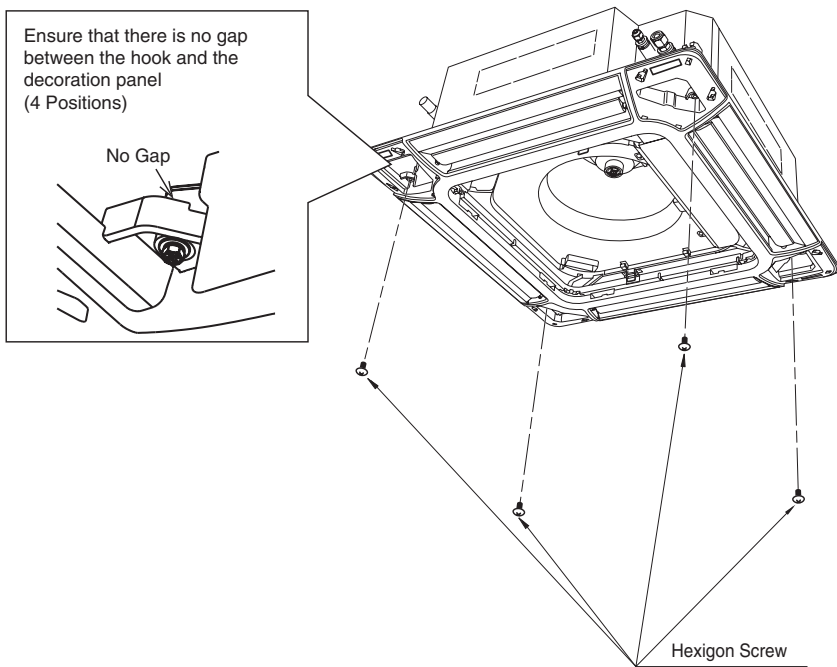
CAUTION

- ① Use only the supplied screws to install the decoration panel.
- ② Install so that there is no gap between the decoration panel and the air conditioner body.
- ③ If there is a gap, an error will occur as shown in the diagram below. Tighten the screw securely so that there will not be a gap.



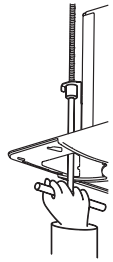
• INSTALL with 4 Hexagon Screws.

Ensure that there is no gap between the hook and the decoration panel (4 Positions)

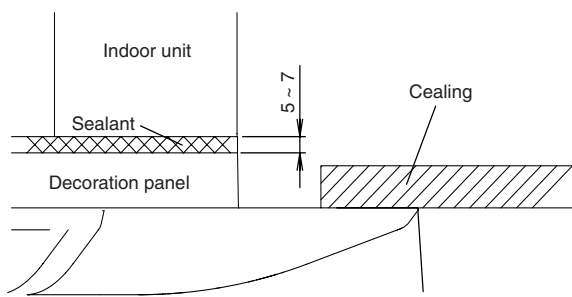


When there is a gap between the ceiling and the decoration panel even when the screw is tightened, readjust the height of the main indoor unit.

As long as it does not affect the levelness of the main indoor unit and the drain piping, you may adjust the height of the main indoor unit from the hole at the corner of the decoration panel, with the decoration panel still attached to the main indoor unit.

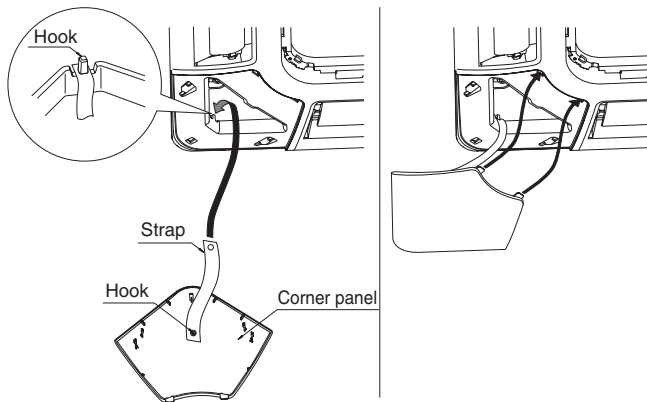


Tighten the screw until the seal material between the decoration panel and the main indoor unit is compressed to a thickness of 5-7mm.

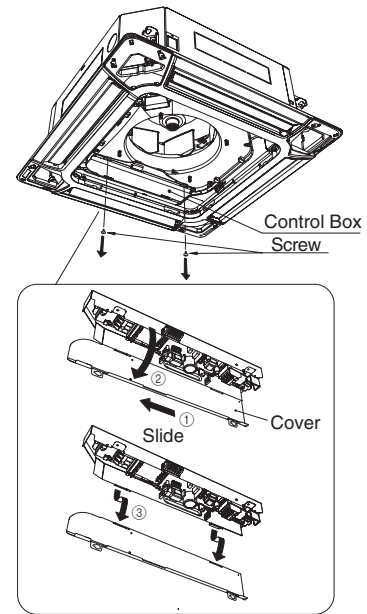


(2) Installation of Corner panel.

• As shown in the following figure, be sure to install the strap to prevent falling down.

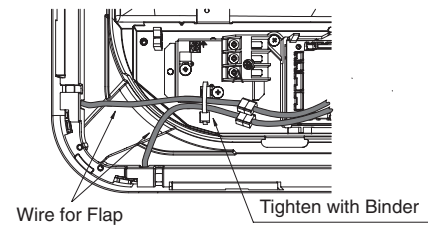


(3) Removal of control box cover.



(4) Connect the connector.

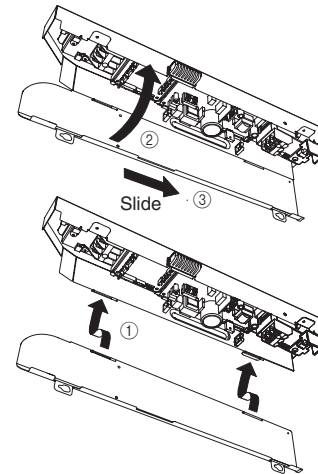
• Arrange the wires as illustrated below.



CAUTION

Connect connectors of the same colors.

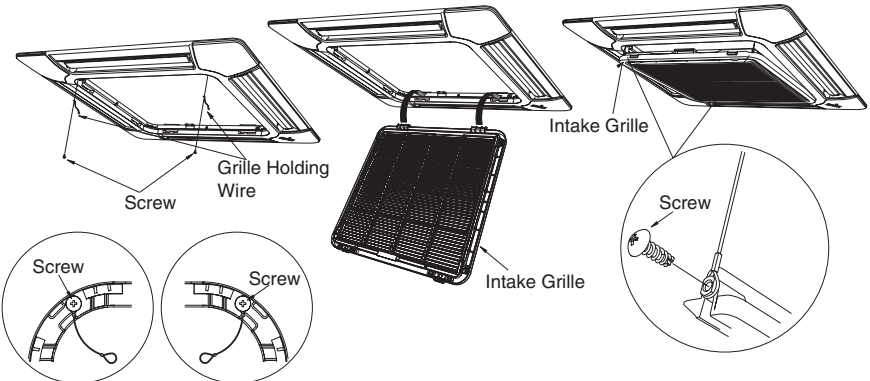
(5) Attach Control Box Cover.



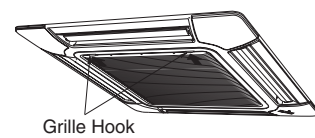
3. ATTACH THE INTAKE GRILLE

• Depending on the actual situation, the Open/Close direction for Intake Grill can be installed freely.

(1) Tighten 2 Grille Holding Wire.



(2) Close intake Grille and Slide Grille Hooks.



CAUTION

Install the Grill Holding wire to the Decoration panel, if it falls, it may cause injuries.