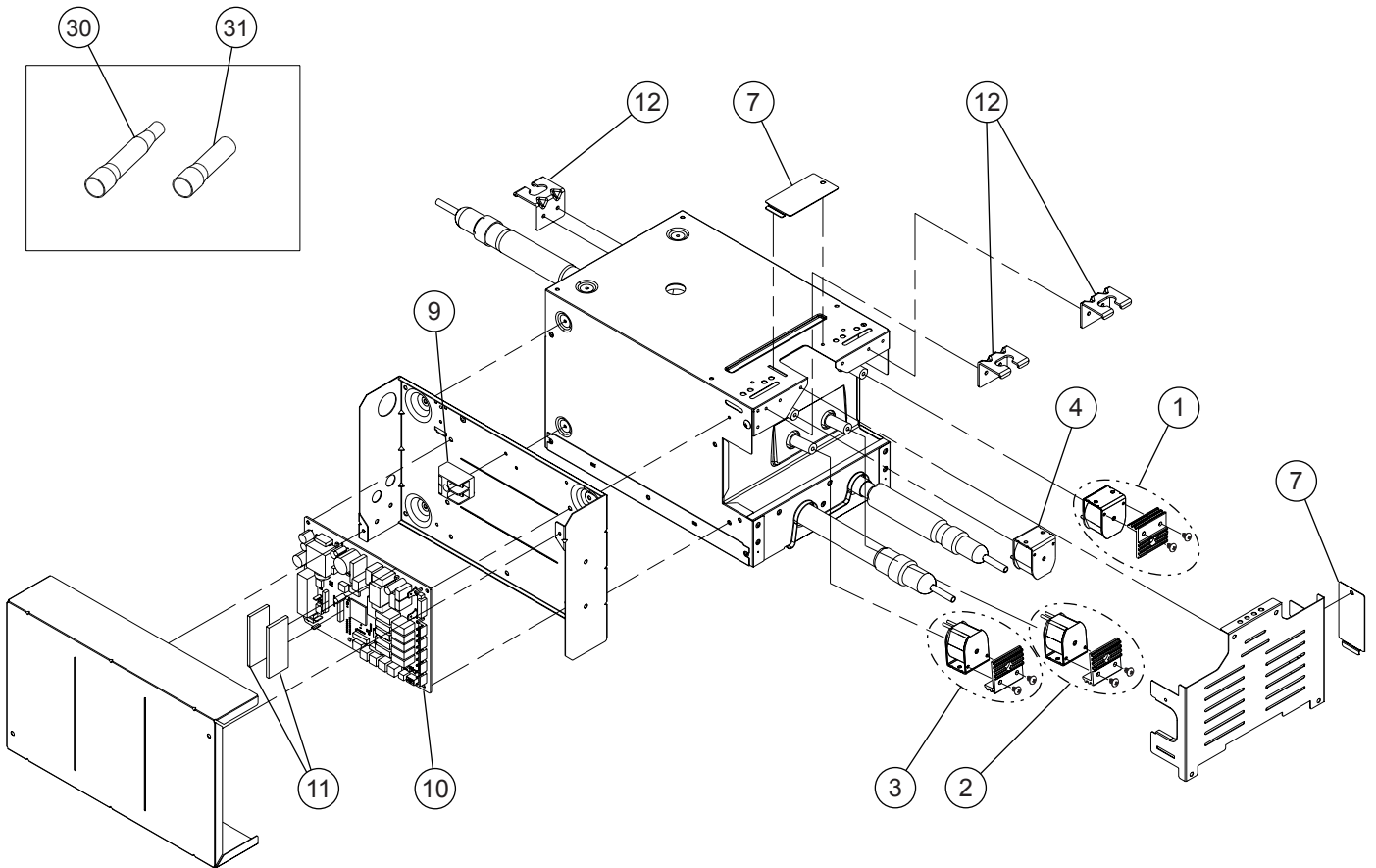


MODEL : UTP-RX01AH
(Single type)



| Ref No. | Description | Parts No. | Q'ty |
|---------|---------------------------|------------|------|
| | | UTP-RX01AH | |
| 1 | SOLENOID(SV1) ASSY | 9380879008 | |
| 2 | SOLENOID(SV2) ASSY | 9380879015 | |
| 3 | SOLENOID(SV3) ASSY | 9380879022 | |
| 4 | SOLENOID(SV4) | 9970130038 | |
| 7 | COVER(WIRE) | 9380725008 | |
| 9 | TERMINAL | 9703873027 | |
| 10 | MAIN PCB | 9708964010 | |
| 11 | COMMUNICATION PCB | 9707774023 | |
| 12 | HOOK METAL | 9363195019 | |
| 30 | REDUCER A (ø9.52- ø12.7) | 9377894045 | |
| 31 | REDUCER B (ø12.7- ø15.88) | 9374178131 | |