

### 3-3. Installation

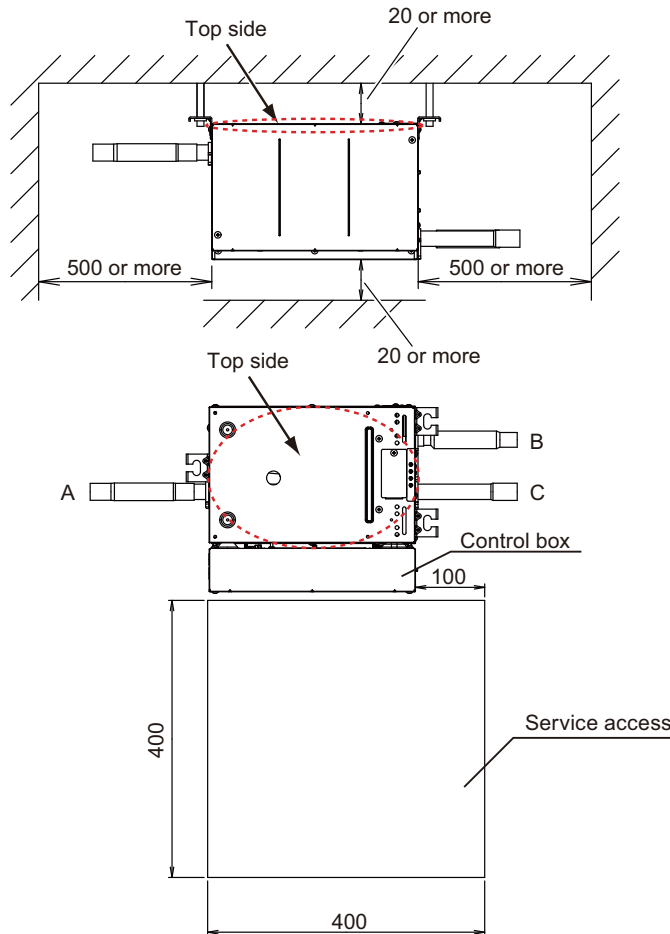
- Control box which is a part of RB units can be also changed the position depending on installation condition at each side of RB units.
- Be sure to prepare service access in control box side.
- Since the sound of refrigerant flow may be felt as an unusual sound, do not install in the underpart of the roof, such as a bedroom which sound worries.

#### ■ Models: UTP-RX01AH, UTP-RX01BH, and UTP-RX01CH

Be sure to install so that the top side faces up.

Unit: mm

#### • Ceiling installation



#### • Wall installation

E.g.: If installing a duct model vertically.

