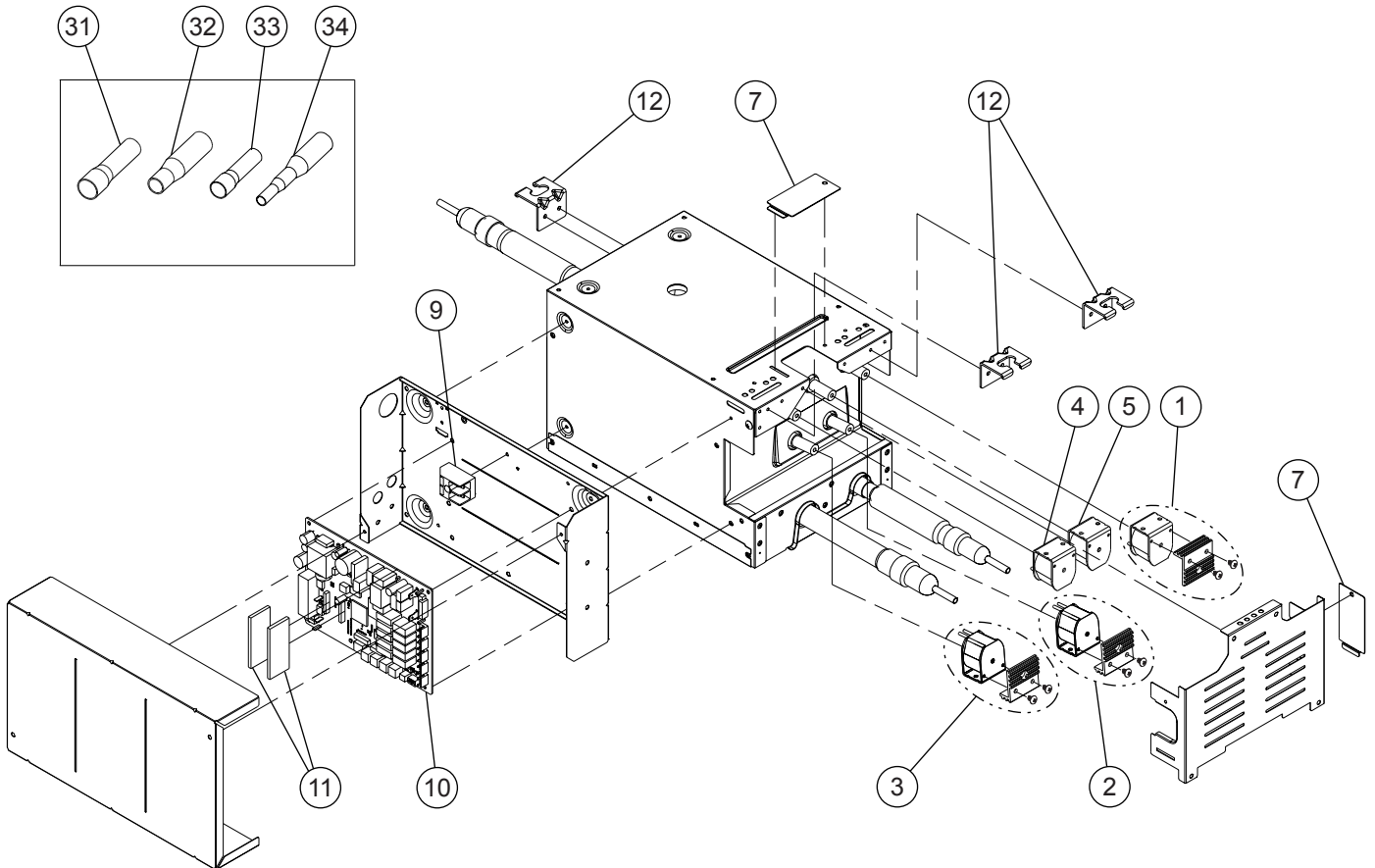


MODEL : UTP-RX01BH
(Single type)



Ref No.	Description	Parts No.	Q'ty
		UTP-RX01BH	
1	SOLENOID(SV1) ASSY	9380879008	
2	SOLENOID(SV2) ASSY	9380879015	
3	SOLENOID(SV3) ASSY	9380879022	
4	SOLENOID(SV4)	9970130038	
5	SOLENOID(SV5)	9970130045	
7	COVER(WIRE)	9380725008	
9	TERMINAL	9703873027	
10	MAIN PCB	9708964010	
11	COMMUNICATION PCB	9707774023	
12	HOOK METAL	9363195019	
31	REDUCER B (ø12.7 - ø15.88)	9374178131	
32	REDUCER C (ø12.7 - ø9.52)	9374178087	
33	REDUCER D (ø19.05- ø22.22)	9377894014	
34	REDUCER E (ø19.05- ø15.88- ø12.7)	9374178032	