
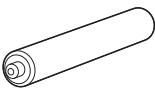





2-14. Wireless remote controller (UTY-LNH*)

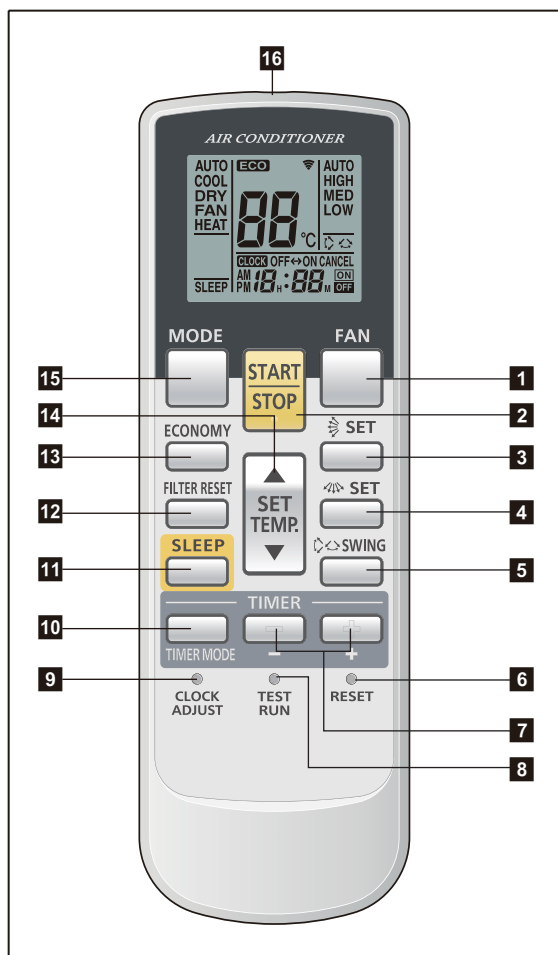


- 4 mode time setup available (On/Off/Program/Sleep).
- Up to 16 indoor units connected within the remote controller group can be simultaneously controlled.
- Can be used jointly with wired remote controllers.
- Easy to change custom code (max 4 codes)

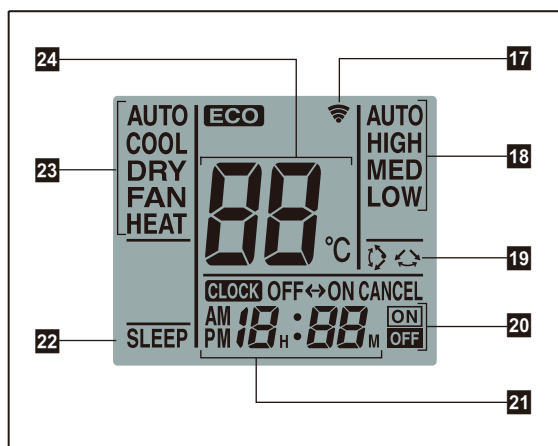
■ Accessory

Name and shape	Q'ty	Application
 Screw	2	For installing the remote controller
 Battery (1.5 V [R03/AAA])	2	For remote controller
 Remote controller holder	1	For remote controller
 Installation manual	1	
 Operation manual	1	

Overview



Display panel



NOTE: Functions may differ by type of the indoor unit. For details, refer to the operation manual.

1 FAN button

Selects the fan speed (AUTO, HIGH, MED, and LOW).

2 START/STOP button

Starts and stops operation.

3 SET button (vertical)

Adjusts the vertical airflow direction.

4 SET button (horizontal)

Adjusts the horizontal airflow direction.

5 SWING button

Sets the automatic swing operation and selects swing mode (Up/down, Left/right, Up/down/left/right, and Stop swing).

6 RESET button

Used when replacing batteries.

7 Timer set (- / +) button

Sets the current time and on-off time.

8 TEST RUN button

Only used for the initial test in the unit installation.

9 CLOCK ADJUST button

Used for adjusting the clock.

10 TIMER MODE button

Selects the timer mode (off timer, on timer, program timer, and timer reset).

11 SLEEP button

Pressed to select sleep timer.

12 FILTER RESET button

13 ECONOMY button

14 SET TEMP. (temperature) (▲ / ▼) button

- Sets desired temperature.
- Sets remote controller custom code.

15 MODE button

- Switches operation mode (AUTO, COOL, DRY, FAN, and HEAT).
- Starts/ends the remote controller custom code (max. 4 types) change.

16 Signal transmitter

17 Signal transmit indicator

18 Fan speed indicator

19 Swing indicator

20 Timer mode indicator

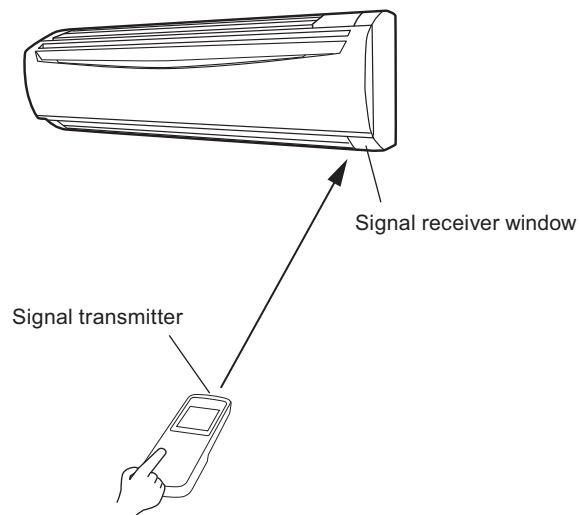
21 Clock indicator

22 Sleep indicator

23 Operating mode indicator

24 Temperature indicator

■ System diagrams

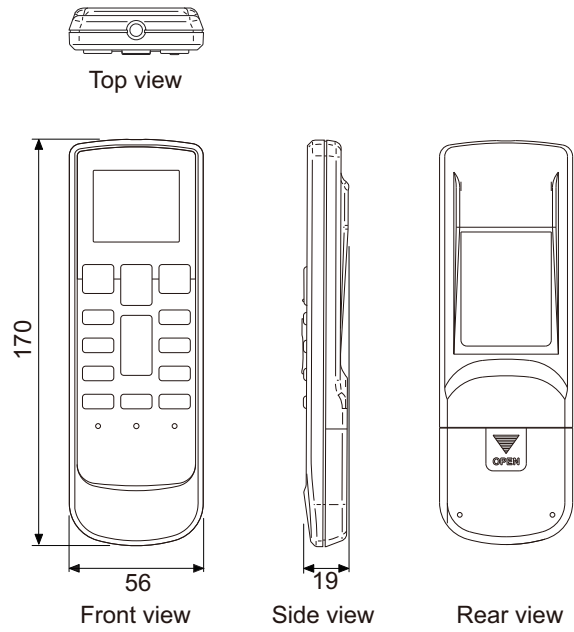


- Control signal might not be recognized in following cases:
 - A curtain or wall, etc. exists between transmitter and receiver.
 - There is an instant-start type (inverter type, etc.) fluorescent lamp in the room.
- Air conditioner might not work correctly when strong light hits the signal receiver window. Shut off the direct sunlight and also make illuminator far away from the signal receiver window.

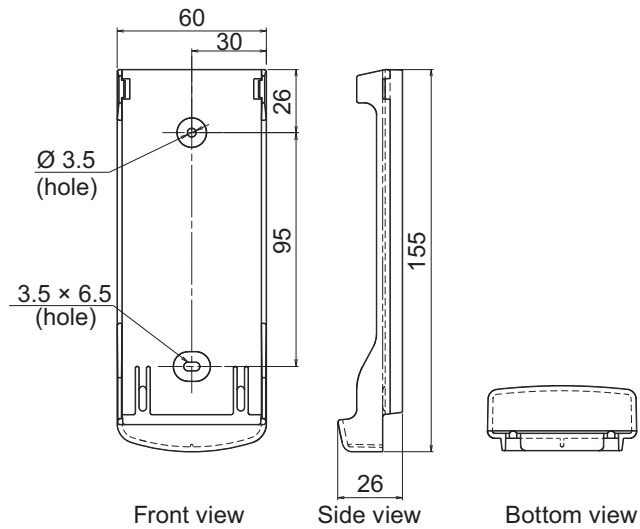
■ Dimensions

Unit: mm

- Controller



- Holder



■ Specifications

Dimensions (H × W × D)	mm	170 × 56 × 19
Weight (without batteries)	g	85