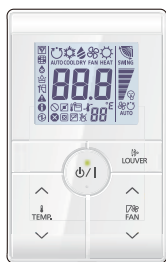
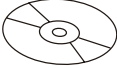






2-12. Simple remote controller (Without operation mode: UTY-RHR*)

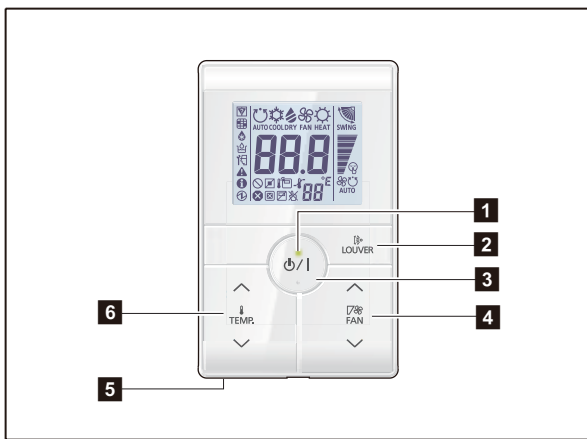


- Easy operation
- Stylish design
- Large LCD screen and simple operation buttons
- Built-in background light function
- Easy installation with a slim shape with no bulge in the back.
- Up to 16 indoor units can be simultaneously controlled.
- Can be installed onto SW-BOX. (applies European and other country's standard)

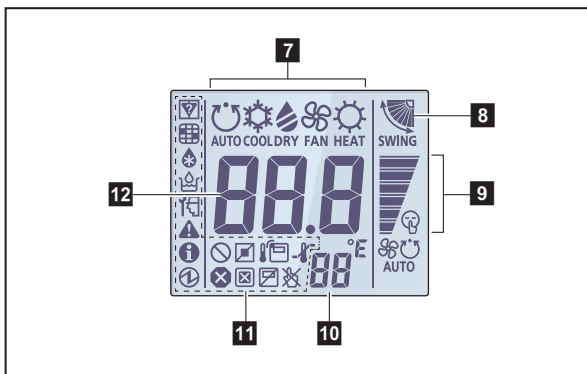
■ Accessory

Name and shape	Q'ty	Application
 CD-ROM	1	
 Screw	2	For installing the remote controller
 Cable tie	1	For remote controller and remote controller cable binding
 Installation manual	1	
 Operation manual	1	

Overview



Display panel



*1: Not available for a heat pump model unless it is set up as an administrative indoor unit.

*2: Not available for a heat pump model.

*3: Not available for a cooling-only model.

*4: Set the function setting of the indoor unit accordingly.

*5: During address display mode.

1 LED lamp

Lights during operation.

2 Louver button

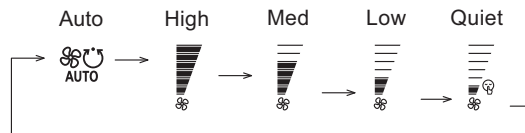
Adjusts the airflow direction.

3 START/STOP button

Starts and stops operation.

4 FAN control button

Switches the fan speed as follows:



5 Room temperature sensor (inside)

Senses ambient temperature of unit.

6 Set temperature button

Selects the setting temperature.

18—30 °C (COOL), 10—30 °C (HEAT)

7 Operating mode indicator

8 Airflow direction indicator

9 FAN speed indicator

10 Remote controller address indicator

11 Status icons

Mode mismatch

Filter sign *4

Defrost operation

Oil recovery operation

Under maintenance

Error

Special state

Conducting electricity

Emergency stop

Operation controlled

Forced stop

Remote controller sensor is enabled *4

Central controlled

Setting temperature range is enabled

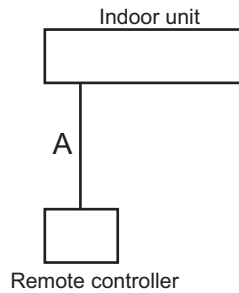
Operation prohibited

12 Set temperature

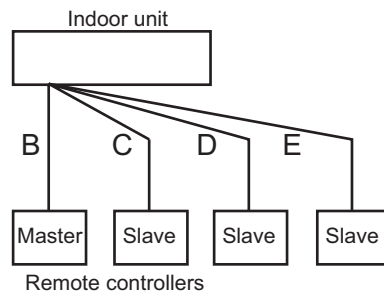
Indicates indoor unit address. *5

System diagrams

- 1 remote controller



- 4 remote controllers

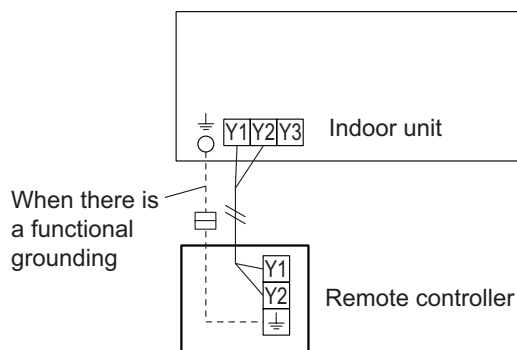


NOTES:

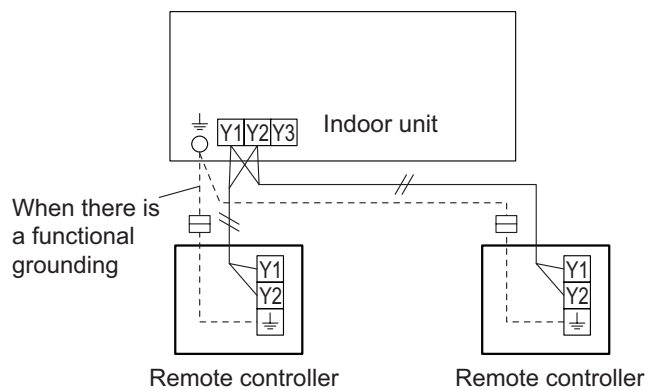
- A, B, C, D, E: Remote controller cable (For details of controller cable specifications, refer to "Controllercable" in Chapter 6. SYSTEM DESIGN.)
- $A \leq 500 \text{ mm}$, $B + C + D + E \leq 500 \text{ m}$

Electrical wiring

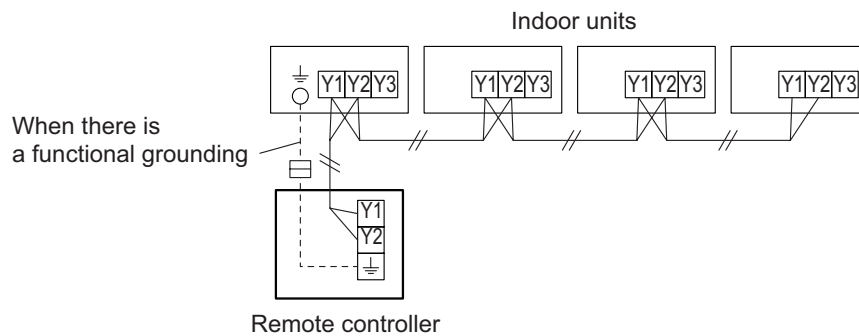
1 remote controller:



2 remote controllers:

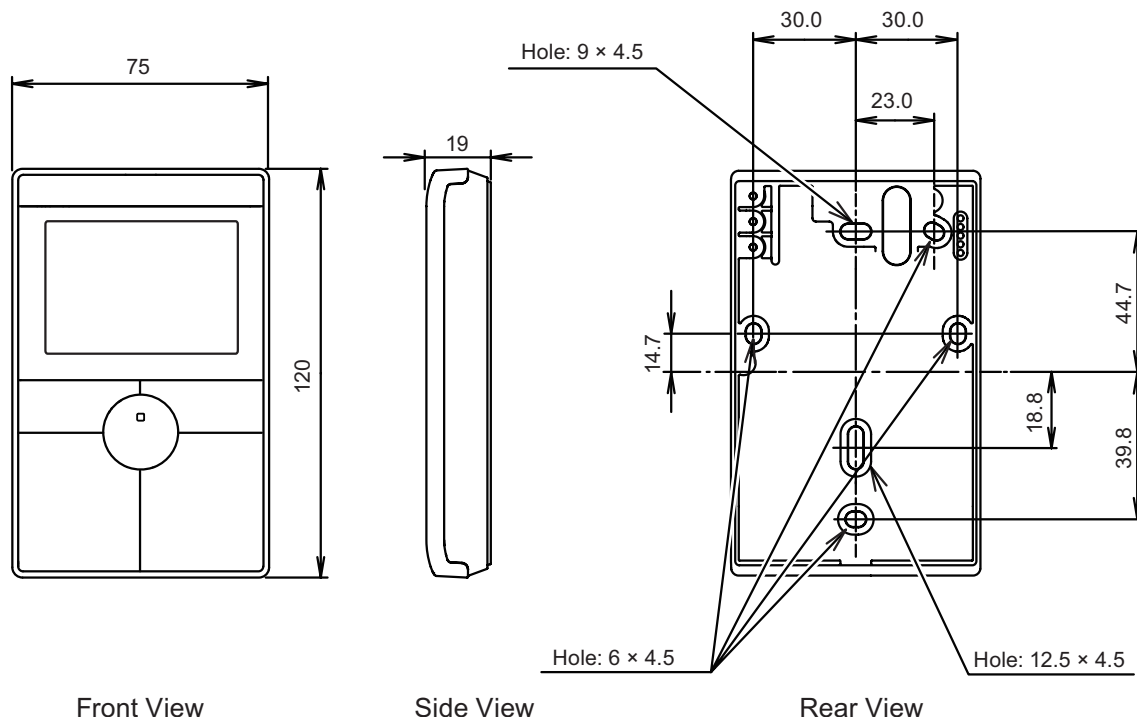


Group control:



■ Dimensions

Unit: mm



■ Installation

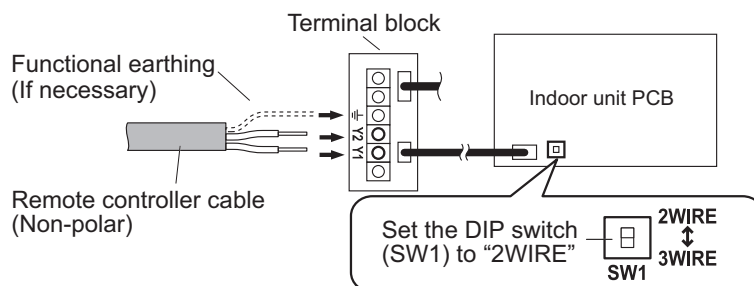
• Connection pattern

NOTE: Connection pattern is different according to type of Indoor unit.

Indoor unit type	Connection pattern
All cassette type	Pattern A
All duct type	Pattern A
All floor type	Pattern A
Floor/Ceiling type	Pattern A
All ceiling type	Pattern A
All wall mounted type	Pattern B

• Pattern A

1. Connect the end of remote controller cable directly to the exclusive terminal block.
2. Set the DIP switch (SW1) to "2WIRE" on the PCB of the indoor unit.

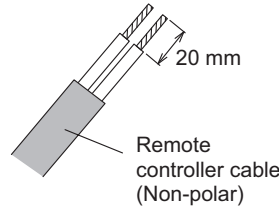


NOTES:

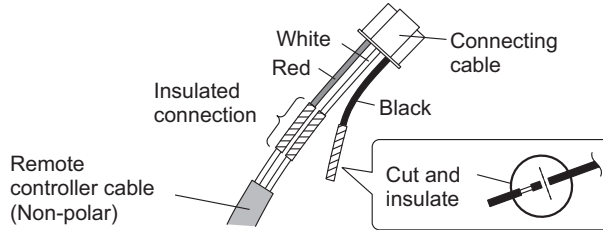
- Layout of terminal block and PCB is varies depending on the type of indoor unit.
- Operation may fail if it is connected to the outdoor unit or the terminal block for power supply.

• **Pattern B**

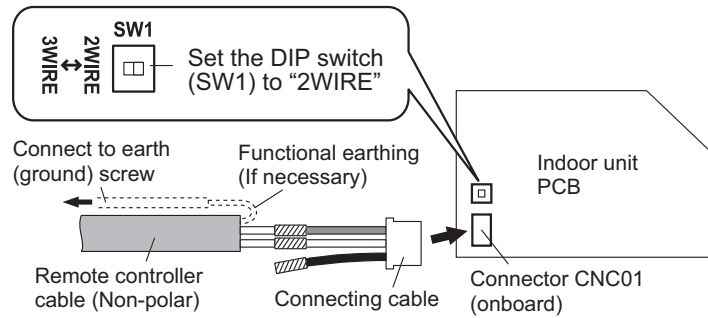
1. Use a tool to cut off the terminal on the end of the remote controller cable, and then remove the insulation from the cut end of the cable as shown below.



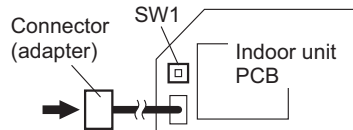
2. Connect the remote controller cable and connecting cable as shown below. Be sure to insulate the connection between the cables.



3. Connect the remote controller cable to the connecting cable, and insert it to the connector. Set the DIP switch (SW1) to "2WIRE" on the PCB of the indoor unit.



NOTE: Layout of terminal block and PCB is varies depending on the type of indoor unit.



■ **Specifications**

Dimensions (H × W × D)	mm	120 × 75 × 19
Weight	g	120

● **Wiring specifications**

Use	Cable size	Cable type	Remarks
Remote controller cable	0.33 to 1.25 mm ² (22 to 16 AWG)	Sheathed cable	Non polar 2-core, Twisted pair
		Shielded cable*	

*: Use shielded cable in accordance with local rules for remote controller cable.