





2-6. Wired Remote Controller (Touch panel: UTY-RVR*)

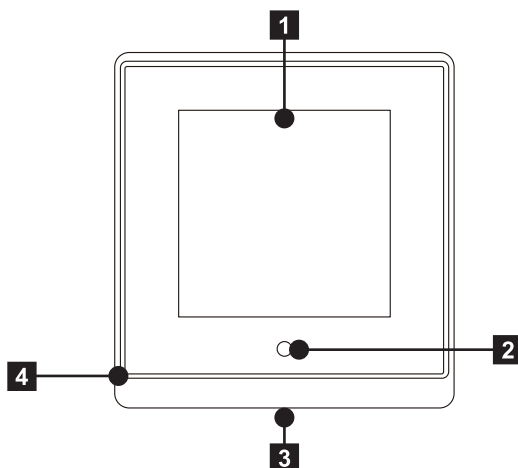


- Easy finger touch operation with LCD panel.
- Screen with anti-fingerprint coating
- Various information display (Room temp., Operation mode, Set temp. Fan speed, Timer)
- Control up to 16 indoor units
- Corresponds to 3 different languages (English, French, Spanish)

■ Accessory

Name and shape	Q'ty	Application
 Self-tapping screw	2	For installing the remote controller
 Cable tie	1	For binding the controller and remote controller cable
 Installation manual	1	
 Operation manual	1	

■ Overview



1 Touch screen

It can be operated by tapping or swiping.

NOTE: Operate with your finger or stylus pen (not included). Do not touch the screen with a hard or sharp object as it may cause a malfunction.

2 Ambient light sensor

Detects the brightness around the controller.

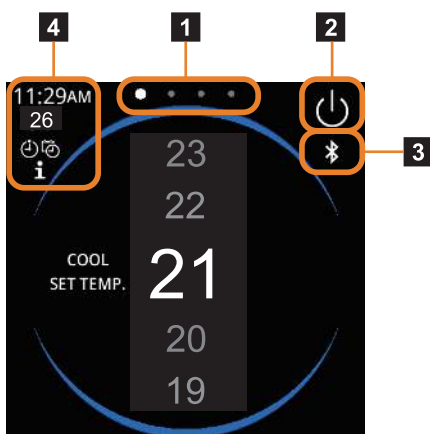
3 Operation lamp

Lights while the indoor units is operating. Blinks when an error occurs.

4 Remote temperature sensor (inside)

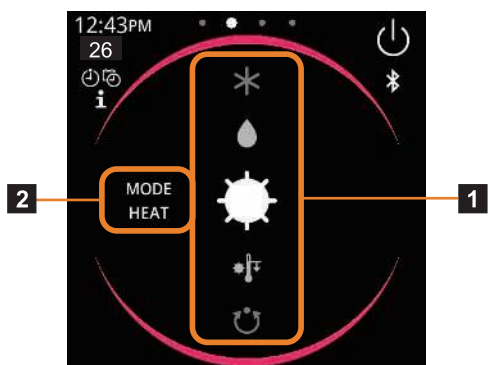
Detects the temperature around the controller.

Temperature setting screen



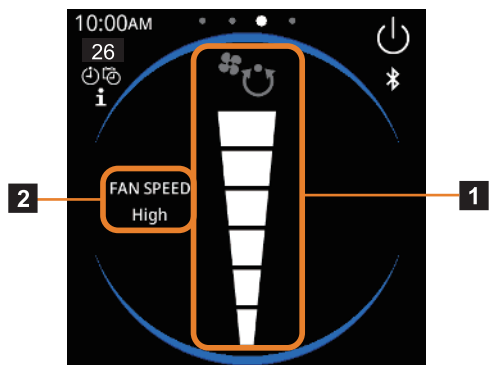
- 1 Page indicator**
Shows the order of pages and displayed page.
- 2 Operation On/Off button**
Tap to start operation or stop the air conditioner.
- 3 Bluetooth icon**
Displays when Bluetooth is enabled.
- 4 Information area**
The displayed contents differ depending on the screen and settings.

Operation mode setting screen



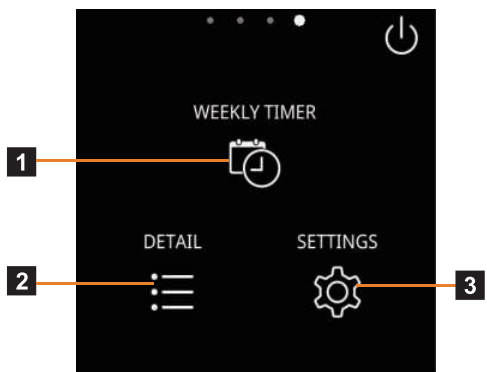
- 1 Operation mode setting area**
Swipe up or down to select the operation mode.
- 2 Operation mode**
The operation mode of the air conditioner is displayed.

Fan speed setting screen



- 1 Fan speed setting area**
Swipe up or down to set the fan speed.
[Icon] is AUTO.
- 2 Fan speed**
Displays the set fan speed.

Other setting screen



- 1 WEEKLY TIMER**
- 2 DETAIL**
For details of the settings, refer to the *OPERATION MANUAL* for this product.
- 3 SETTINGS**
For details of the settings, refer to the *OPERATION MANUAL* for this product.
NOTE: To display settings screen, it is necessary to enter the admin password.

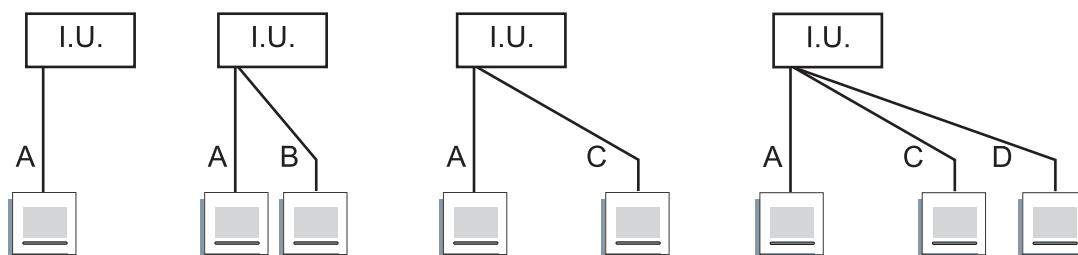
CONTROL SYSTEM

CONTROL SYSTEM

■ System diagrams

• Multiple remote control

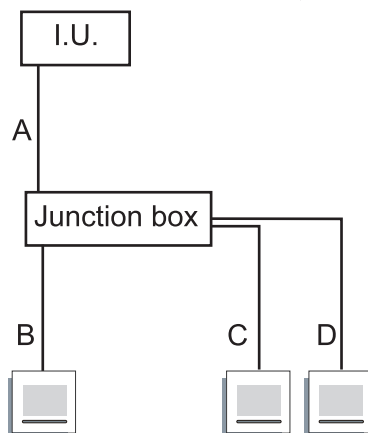
Up to 3 remote controllers can be used to operate the indoor units.



- Remote controller
 - A, B: UTY-RVR*
 - C, D: Other than UTY-RVR* (2-wire type only)
- Remote controller cable
 - A, B, C, D: For details of controller cable specifications, refer to "Controller cable" in Chapter 6. SYSTEM DESIGN.
 - A, B, C, D ≤ 70 m

NOTES:

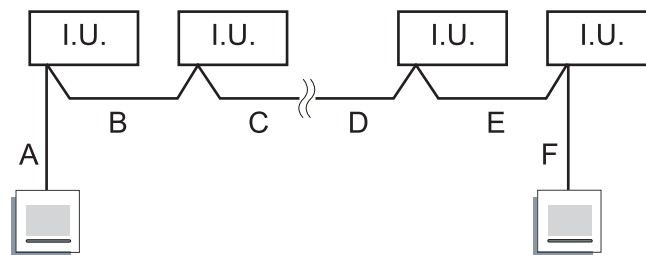
- Multiple installation method described above is prohibited to combine with 3-wired type remote controller (UTY-RNK*, UTY-RSK*, or UTY-RHK*) and 2-wired type remote controller (UTY-RNR*, UTY-RVR*, UTY-RNR*Z*, or UTY-RLR*)
- Use a junction box depending on the number of the connected remote controller, wiring conditions between the indoor unit and the remote controller, and so on.



- Remote controller cable
 - A, B, C, D: For details of controller cable specifications, refer to "Controller cable" in Chapter 6. SYSTEM DESIGN.
 - A ≤ 20 m
 - A + B ≤ 70 m, A + C ≤ 70 m, A + D ≤ 70 m

- **Group control**

With remote controllers, up to 16 indoor units can be simultaneously operated.



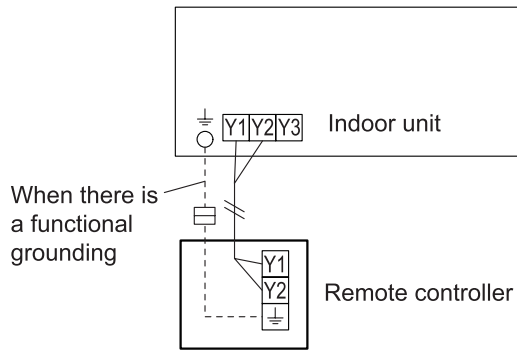
- Remote controller
 - A, F: UTY-RVR*
- Remote controller cable
 - A, B, C, D, E, F: For details of controller cable specifications, refer to "Controller cable" in Chapter 6. SYSTEM DESIGN.
 - $A, F \leq 70$ ft, $A + B + C + D + E + F \leq 70$ m
 - The requirement (20 m or less) for the remote controller cable length (Junction box—Indoor unit) does not apply to the B, C, D, E cable as the junction boxes are not used in the diagram above.

NOTES:

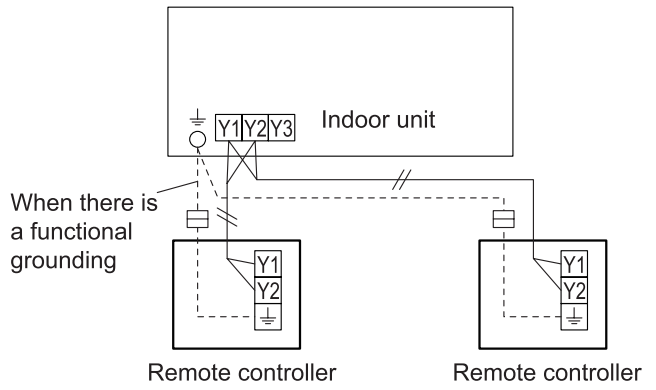
- Crossover wiring using the terminal on the remote controller is prohibited. Use a junction box when crossover wiring is necessary.
- Remote controller cable (Junction box—Indoor unit): 20 m or less

Electrical wiring

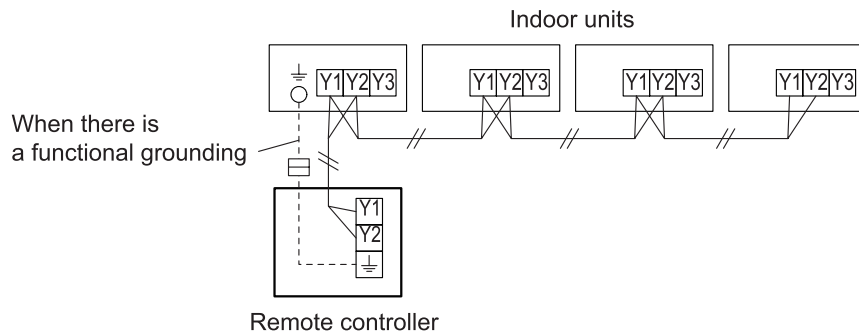
1 remote controller:



2 remote controllers:



Group control:

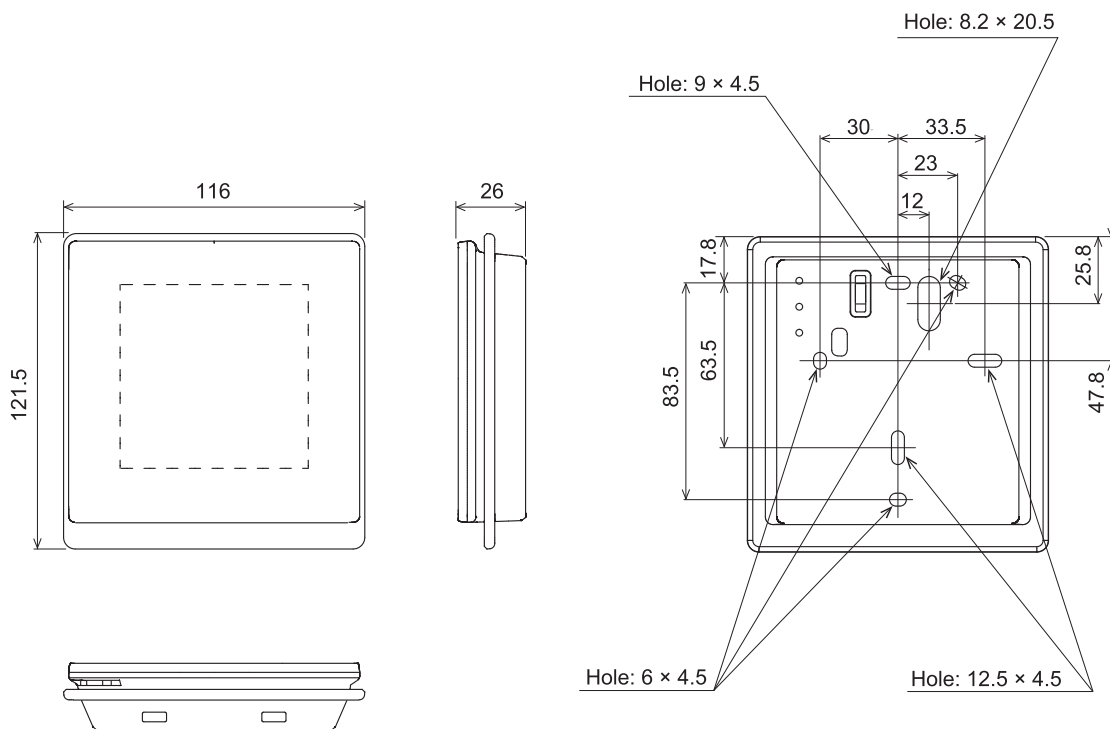


CONTROL SYSTEM

CONTROL SYSTEM

■ Dimensions

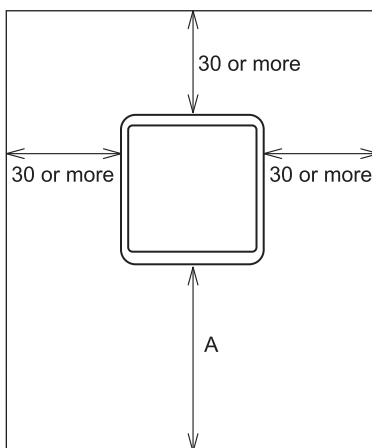
Unit: mm



■ Installation space

- This product cannot be installed in a wall.
- Even when you install a remote controller to one of a switch box and the surface of a wall, secure the space shown in following figure. When there is insufficient space, there may be remote controller sensor misdetections and remote controller may be difficult.

Unit: mm



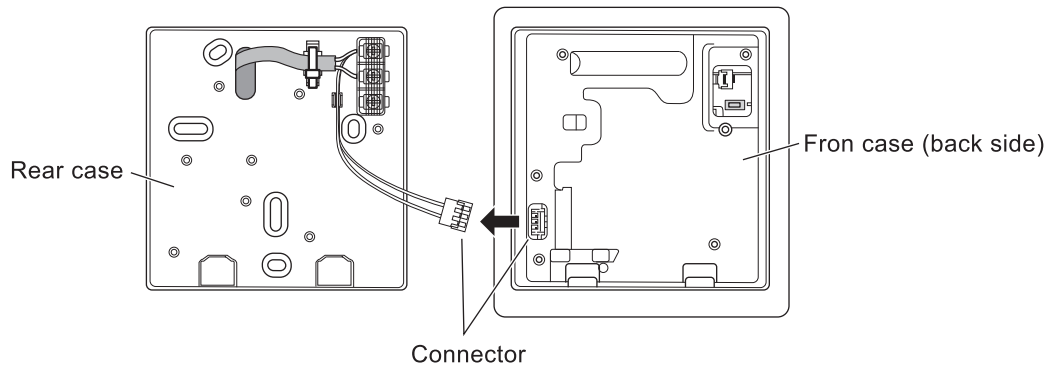
A: Secure enough space where a flat-blade screwdriver to take off a case can be inserted.

■ Installation

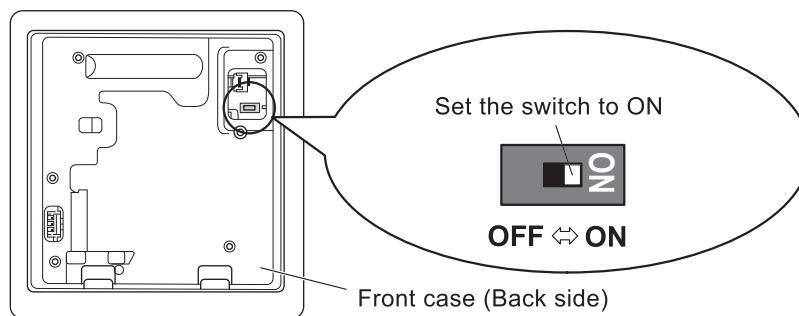
For details of installation, refer to the *INSTALLATION MANUAL* for this product.

• Connector removal

Open the front case and remove the connector of the remote controller cable from the connector of the PCB on the front case (back side).



• Switch setting



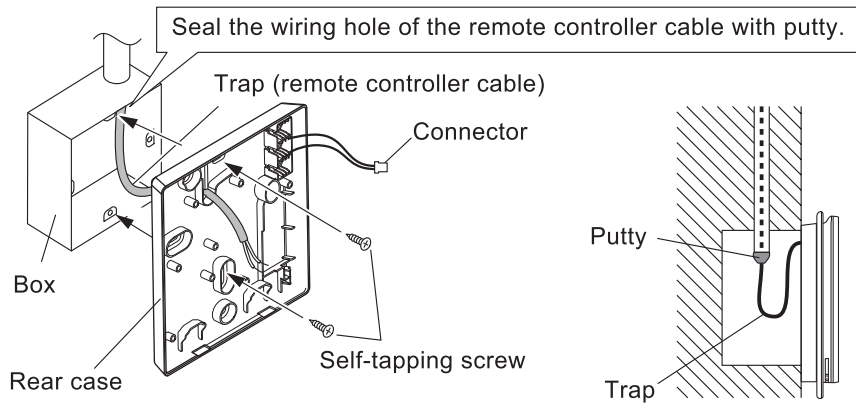
The switch performs the enabling/disabling of the backup function by the internal battery. Before using this product, always set the switch to ON.

NOTES:

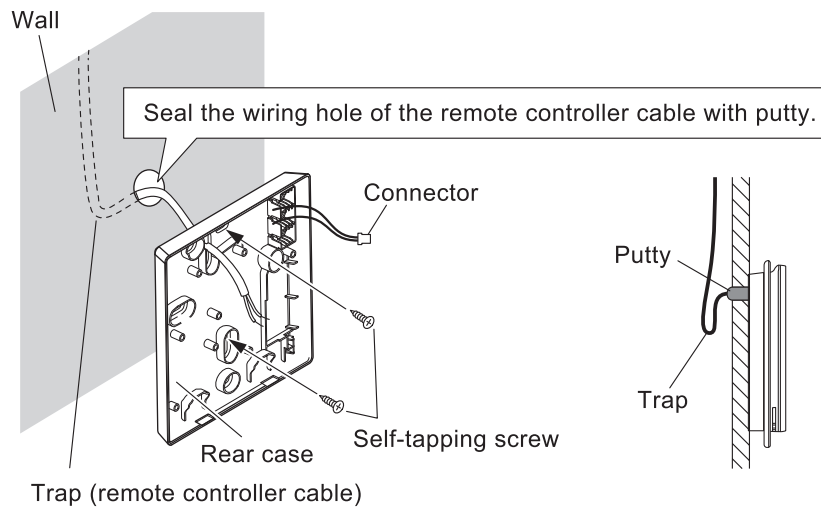
- When the power is turned on without setting the switch to ON, the set data by menu operation is erased and cause erroneous operation.
- The switch is set to OFF when shipped from the factory to prevent consumption of the charge.

• **Rear case installation**

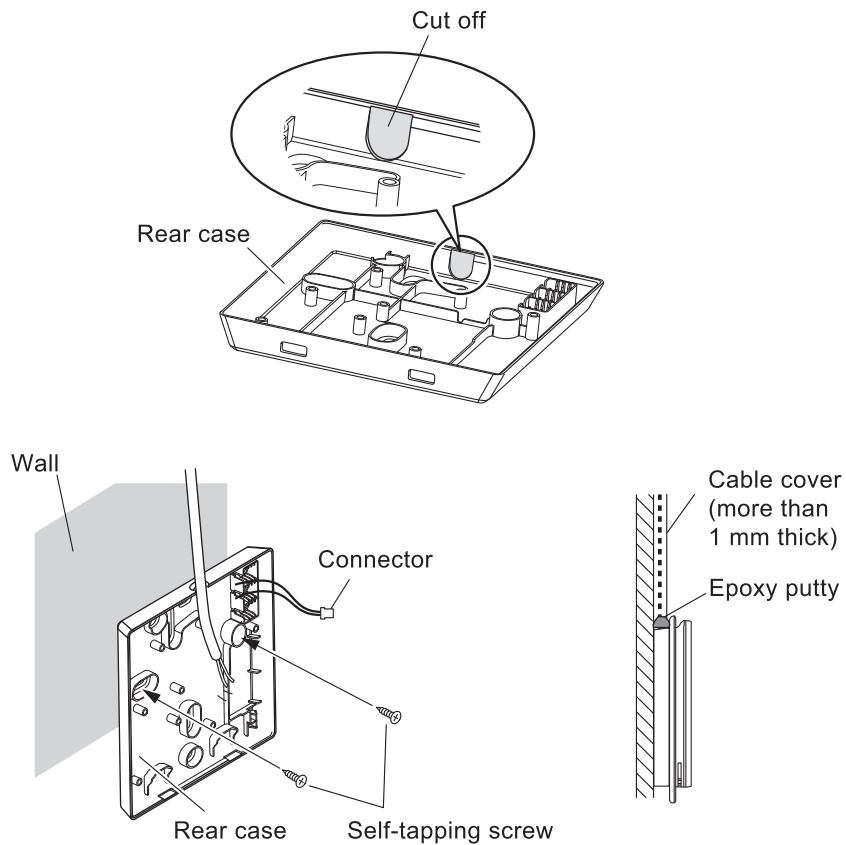
– **When attaching to switch box:**



– **When attaching to the wall directly:**



– **When routing the cable on-wall:**

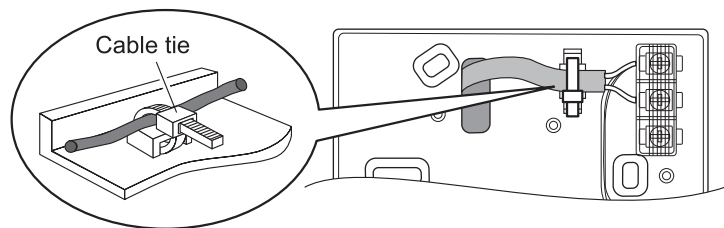


CONTROL SYSTEM

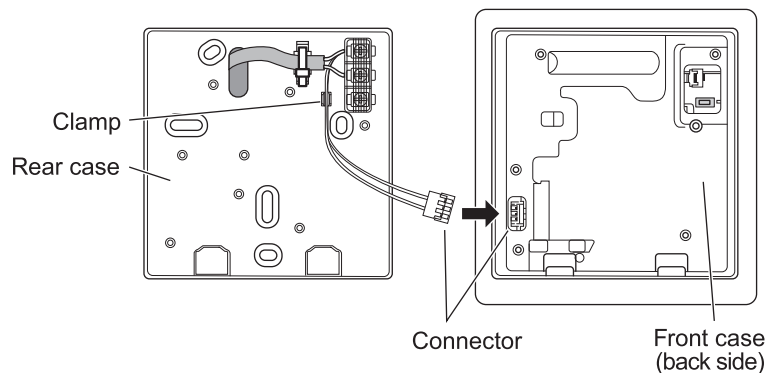
CONTROL SYSTEM

- **Remote controller cable connection**

- Fasten the outside covering of the connection cable with the cable tie.



- Connect the connector of the remote controller cable to the connector of the PCB on the front case (back side).



⚠ CAUTION

- Strip length must be specified dimension.
- Insert the cable deeply into the terminal.
- After the cable is inserted, check that the cable is not pulled out.
- Select a flexible cable that does not break the cable sheath even if you bind it with a cable tie around the cable sheath.
- Be careful to avoid breaking the cable by over-tightening the cable tie.

■ Specifications

Input voltage	V	DC 12
Power consumption	W	Max. 1.0
Display		4-inch TFT LCD (480 × 480 pixels) with touch screen
Usage temperature range	°C	0 to 40
Usage humidity range	%	20 to 90 (no condensation)
Storage temperature range	°C	-10 to 60
Storage humidity range	%	20 to 90 (no condensation)
Dimensions (H × W × D)	mm	121.5 × 116 × 26
Weight	g	225

● Wiring specifications

Use	Cable size	Wire type	Remarks
Remote controller cable	0.33 to 1.25 mm ² (22 to 16 AWG)	Non polar 2-core	Use sheathed twist pair cable.*

*: Use shielded cable (locally purchased) in accordance with the regional cable standard.