

OPTIONAL PART

WLAN Adapter

DESIGN & TECHNICAL MANUAL

WLAN ADAPTER



UTY-TFSXH3
UTY-TFSXH4

FUJITSU GENERAL LIMITED

DR_OP012EX_01
2022.11.14

Notices:

- Product specifications and design are subject to change without notice for future improvement.
- For further details, please check with our authorized dealer.

Trademarks

“AIRSTAGE Mobile” is a trademark of FUJITSU GENERAL LIMITED.

Google Play™ is trademark of Google LLC.

App Store® is a service mark of Apple Inc., registered in the U.S. and other countries.

CONTENTS

WLAN ADAPTER	1
1. Model lineup	2
1-1. Applicable indoor units	2
2. Overview	3
2-1. Wireless LAN control	4
3. Specifications	7
3-1. WLAN Adapter	7
4. Wiring design	8
4-1. System diagram	8
5. Installation	9
5-1. Installing the WLAN Adapter	9
6. Initial setup	10
6-1. AIRSTAGE Mobile	10
6-2. AIRSTAGE Edge Controller	10
7. Accessories	11

WLAN ADAPTER

MODEL NAME:

UTY-TFSXH3

UTY-TFSXH4

1. Model lineup



Model name	Region or country
UTY-TFSXH3	Other than the following countries U.S.A. Canada
UTY-TFSXH4	U.S.A. and Canada

1-1. Applicable indoor units

For applicable indoor units, refer to the product catalogue posted on Support page of the web site.
<https://www.fujitsu-general.com/global/support/>

2. Overview

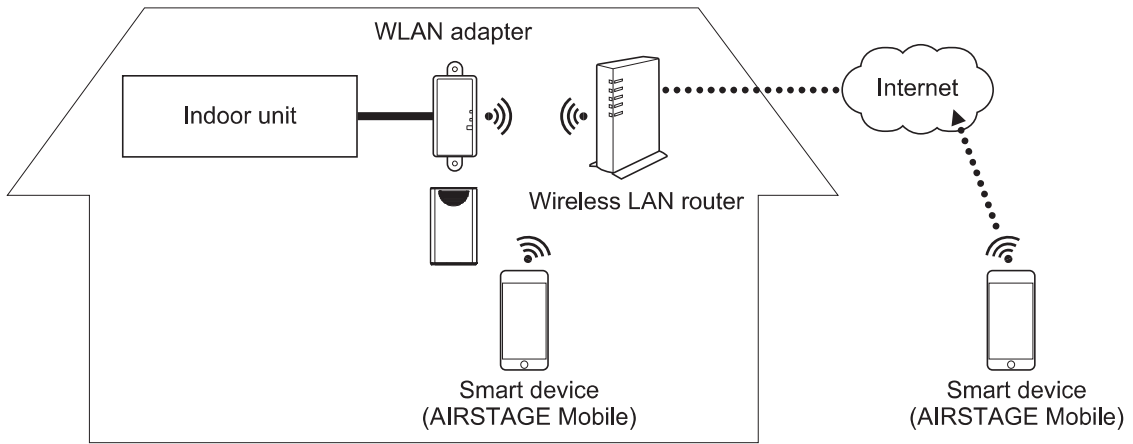
WLAN
ADAPTER

WLAN
ADAPTER

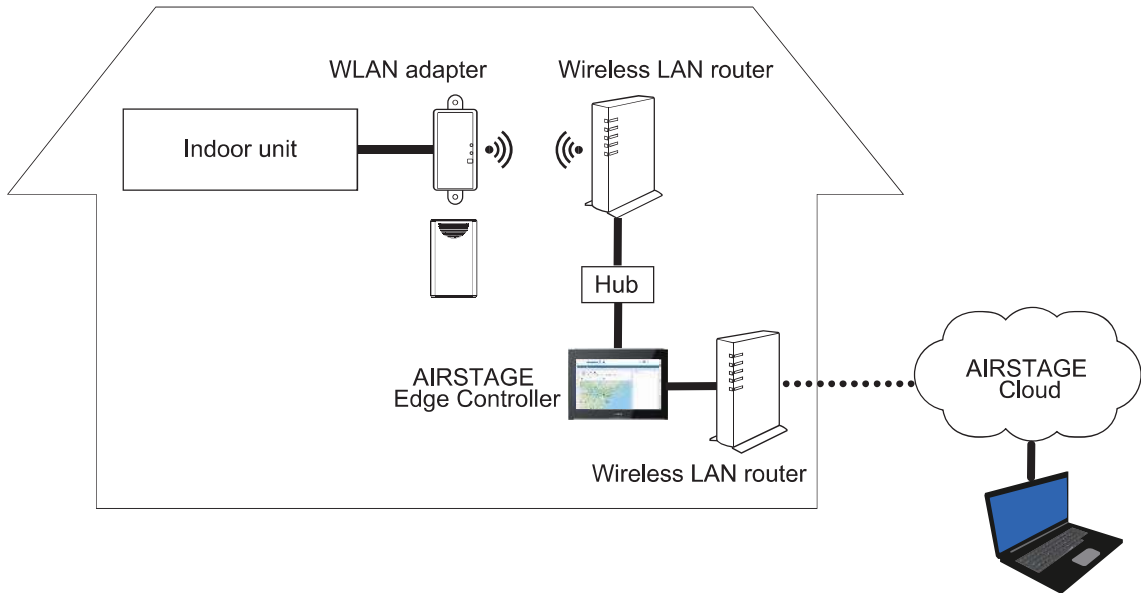


Schematic diagram

- **AIRSTAGE Mobile:**



- **AIRSTAGE Edge Controller:**



2-1. Wireless LAN control

By installing AIRSTAGE Mobile on a smart device, several functions can be controlled from outside the house.

⚠ CAUTION

To prevent personal injury, property damage, or product malfunction, read the setting manual attached with the product carefully, and be sure to comply with the safety and usage precautions.

■ Easy setup by mobile application

Initial setup can be done by using AIRSTAGE Mobile.

Refer to the setting manual attached with the product for information on the initial setup, operating tips, and troubleshooting.

■ System requirement

• AIRSTAGE Mobile (mobile application)

Before using this application, prepare the following items:

– Wireless router:

Wireless LAN standard	IEEE802.11b/g/n
Frequency bands*	<ul style="list-style-type: none"> • U.S.A., Canada: 2.4 GHz (1ch—11ch) • Other countries: 2.4 GHz (1ch—13ch)
Network security standard	<ul style="list-style-type: none"> • Open • WEP • WPA (PSK) • WPA2 Personal (PSK) • WPS for same-LAN registration

*: Usable only in the country or region where you purchased the product.

To check whether your wireless router complies with the network security standards listed above, refer to the operation manual.

– Smartphone:

App-compliant operating system	iOS	Check the latest version of supported OS at Google Play store or App Store.
	Android	

– User registration:

Mobile app is available on Google Play store or on App Store.

After installation of mobile app, user registration is required. For user registration and setup information, refer to *SETTING MANUAL* attached with the product.

- **AIRSTAGE Edge Controller**

Before using this controller, prepare the following items:

- **Wireless router:**

Wireless LAN standard	IEEE802.11b/g/n
Frequency bands*	<ul style="list-style-type: none"> • U.S.A., Canada: 2.4 GHz (1ch—11ch) • Other countries: 2.4 GHz (1ch—13ch)
Network security standard	<ul style="list-style-type: none"> • Open • WEP • WPA (PSK) • WPA2 Personal (PSK) • WPS for same-LAN registration

*: Usable only in the country or region where you purchased the product.

To check whether your wireless router complies with the network security standards listed above, refer to the operation manual.

- **User registration:**

For user registration and setup information, refer to the manual attached with AIRSTAGE Edge Controller.

NOTE: Combination use of AIRSTAGE Mobile and AIRSTAGE Edge Controller is prohibited.

■ Wireless LAN function list

NOTE: To use Wireless LAN control, user registration in advance and access to the wireless home network are required.

Item		Mobile app	AIRSTAGE Edge Controller	
Air conditioning control function	Operation on/off	○	○	
	Operation mode setting	○	○	
	Set temperature setting	○	○	
	Fan speed setting	○	○	
	Airflow direction setting	Louver position adjustment (vertical/horizontal)	○*1	○*1
		Swing (vertical/horizontal)	○*1	○*1
	Timer setting	Weekly timer*2	○	—
Additional function	operation setting	○*1	—	
	ECONOMY operation setting	○	○	
	Human sensor for energy saving setting	○*1	○*1	
	Energy saving fan setting	○	—	
	Outdoor unit low noise operation setting	○	—	
	POWERFUL operation setting	○*1	—	
	Room temperature indicator	○	○	
	Remote controller prohibition (Lockout)	—	○	

○: Available, —: Not available

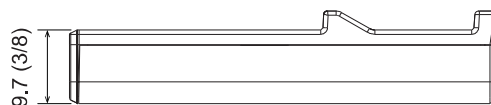
*1: Different by the indoor unit function.

*2: Weekly timer of wireless remote controller/wired remote controller and mobile application each have different settings. If timer settings are done from mobile application and from wireless remote controller/wired remote controller, both timer settings will be active.

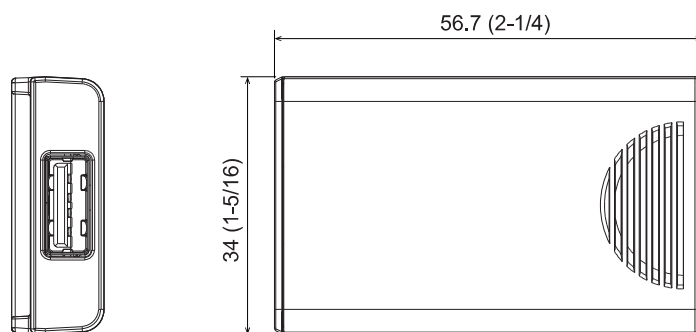
3. Specifications

3-1. WLAN Adapter

Unit: mm (in)



Side view



Connector side

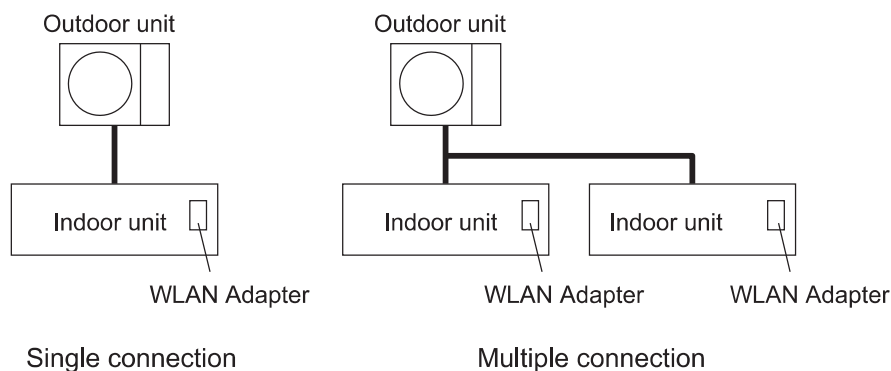
Top view

Item		Unit	Specification
Maximum radio-frequency power		mW	40
Dimensions (H × W × D)	Net	mm	56.7 × 34 × 9.7
		in	2-1/4 × 1-5/16 × 3/8
	Gross	mm	168 × 140 × 35
		in	6-5/8 × 5-1/2 × 1-3/8
Weight	Net	g (oz)	16.6 (0.6)
	Gross		70.5 (2.5)
Operating temperature range		°C (°F)	0 to 46 (32 to 114.8)

4. Wiring design

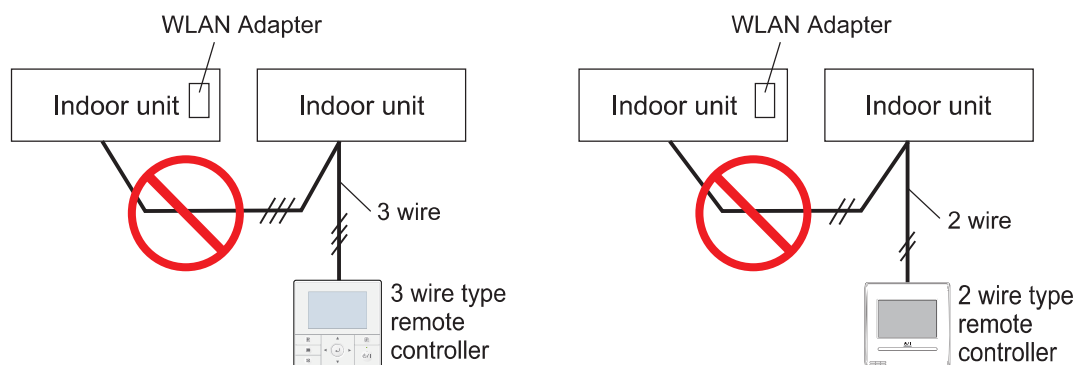
4-1. System diagram

One WLAN Adapter can be connected to each indoor unit.

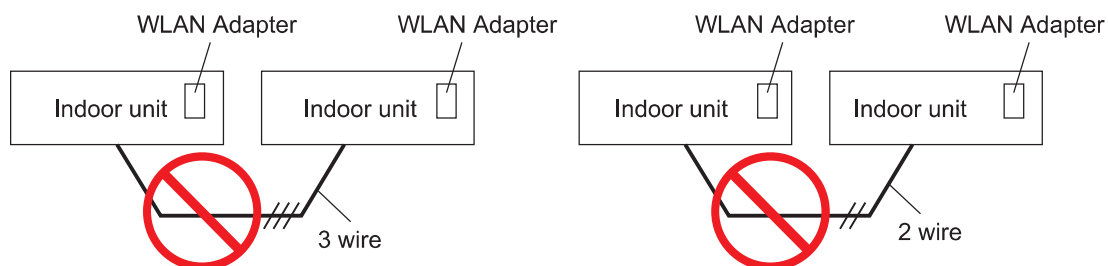


Prohibited uses

(1) Group connection of indoor units with wired remote controller



(2) Group connection of indoor units



5. Installation

⚠ CAUTION

To prevent personal injury, property damage, or product malfunction, read the setting manual attached with the product carefully, and be sure to comply with the safety precautions.

5-1. Installing the WLAN Adapter

⚠ WARNING

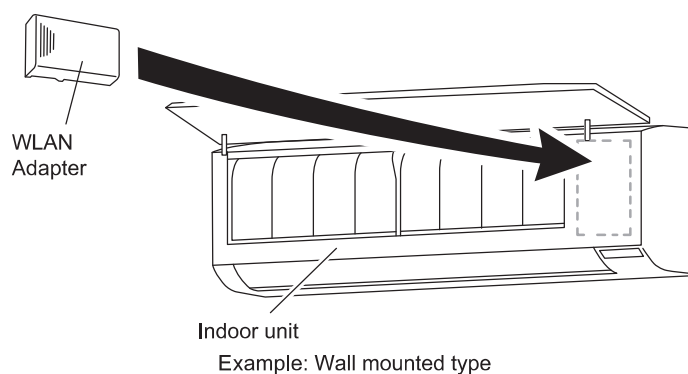
- Disconnect the power supply or turn off the breaker before starting work. Failure to disconnect the power supply may lead to electric shock or fire.
- Do not turn on the power until all installation work is complete.
- When installing this product, make sure that there are no children nearby. Otherwise, injury or electric shock could result.

⚠ CAUTION

- To prevent personal injury, property damage, or product malfunction, read the setting manual attached with the product carefully, and be sure to comply with the safety precautions.
- Discharge static electricity on your body before starting work. If static electricity is not discharged, there is a risk that the circuit board components may be damaged.
- Do not touch the circuit board and circuit board parts directly with your hands. Otherwise, injury or electric shock could result.

NOTES:

- Install the wireless router near the indoor unit. (The connection will become unstable if it is placed further away, which will make using the system more difficult.)
- Certain types of wall materials may shut out wireless communications.
- Do not touch the indoor unit heat exchanger.



Plug the WLAN Adapter into the connection slot of the indoor unit.

NOTE: The shape of the indoor unit, installation method, and position of the connection slot vary depending on the model.

After the WLAN Adapter installation is completed, perform appropriate function setting according to the installation environment with referring the *SETTING MANUAL* of this product and the *INSTALLATION MANUAL* of the indoor unit.

NOTE: This product does not have operation buttons and indicator lamps. Setting should be done by using the remote controller and the status should be checked on the indicator lamps of the indoor unit.

6. Initial setup

NOTE: The combination use of AIRSTAGE Mobile and AIRSTAGE Edge Controller is prohibited.
When switching the applications to be used, initialize the WLAN Adapter setting.




6-1. AIRSTAGE Mobile

1. Visit Google Play store or App Store according to the type of connecting smart device.
2. Search for AIRSTAGE Mobile in the store.
3. Install the app by following the on-screen instructions.
4. After completing AIRSTAGE Mobile installation on your smart device, open the app and perform user registration by following the instructions.
5. Register the air conditioner according to the instruction on the app.

6-2. AIRSTAGE Edge Controller

For details of the setting procedure, refer to the *ONLINE MANUAL* attached to the AIRSTAGE Edge Controller.

7. Accessories

Part name	Exterior	Qty	Part name	Exterior	Qty
Setting manual		1	Adapter information label (attached to the WLAN Adapter with tape)*		1
<i>ONLINE MANUALS and WEB APP</i> sheet		1			

NOTE: *: Do not discard the label because it contains the WLAN Adapter setting information.